



FUTURE MOBILITY HEALTHCARE INC.

DIVISION OF ABF MFG GROUP INC.
WWW.FUTUREMOBILITY.CA



ORION II

Effective: October - 1 - 2019

TEL: 905-671-1661

FAX: 905-671-3377

orderdesk@futuremobility.ca

Account Information

Account #: _____
Business Name: _____
Ship to Address: _____
Contact: _____
Tag For: _____

Order Date: _____
P.O.# _____
Phone: _____
City: _____
Province: _____ Postal Code: _____

1 FRAME TYPE

- Orion II 115 \$2,450
- Power Tilt 115MA31 \$1,600

2 FRAME FINISH

- Black 115C01 No Charge

3 SEAT WIDTH

- 15" 115SW15 No Charge
- 16" 115SW16 No Charge
- 17" 115SW17 No Charge
- 18" 115SW18 No Charge
- 19" 115SW19 No Charge
- 20" 115SW20 No Charge
- 21" (Weight Limit 350 lbs.) 115SW21HD1 No Charge
- 22" (Weight Limit 350 lbs.) 115SW22HD1 No Charge
- 23" (Weight Limit 350 lbs.) 115SW23HD1 \$475
- 24" (Weight Limit 350 lbs.) 115SW24HD1 \$475

4 SEAT DEPTH

- 15" 115SD15 No Charge
- 16" 115SD16 No Charge
- 17" 115SD17 No Charge
- 18" 115SD18 No Charge
- 19" 115SD19 No Charge
- 20" 115SD20 \$110
- 21" 115SD21 \$225
- 22" 115SD22 \$225
- 23" 115SD23 \$225
- 24" 115SD24 \$225

5 SEAT-TO-FLOOR HEIGHT (up to 350 lbs. weight capacity)

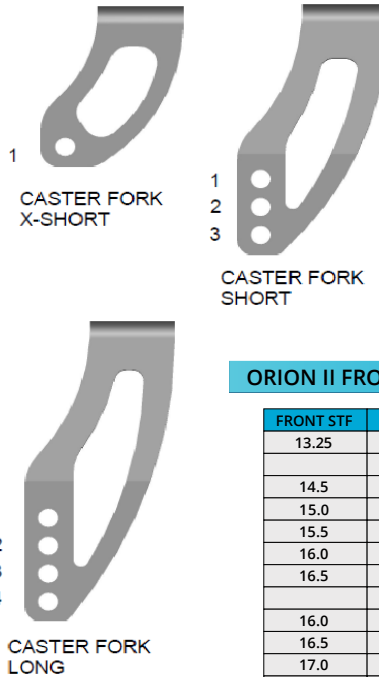
- 13.25" (20" Wheels and 4" Casters) 115STF01 \$225
- 14.5" (20" rear and 5" casters) 115STF02 No Charge
- 15" (20" Wheels and 5" Casters) 115STF03 No Charge
- 15.5" (22" Wheels and 5" Casters) 115STF25 No Charge
- 15.5" (12" Wheels and 6" Casters) 115STF26 \$195
- 16" (20" Wheels and 5" Casters) 115STF27 No Charge
- 16" (12" Wheels and 6" Casters) 115STF28 \$195
- 16" (24" Wheels and 6" Casters) 115STF29 No Charge
- 16" (22" Wheels and 6" Casters) 115STF06 No Charge
- 16 1/2" (24" Wheels and 6" Casters) 115STF30 No Charge
- 16 1/2" (24" Wheels and 7" Casters) 115STF31 No Charge
- 16 1/2" (22" Wheels and 7" Casters) 115STF08 No Charge
- 17" (24" Wheels and 7" Casters) 115STF32 No Charge
- 17" (22" Wheels and 8" Casters) 115STF33 No Charge
- 18" (24" Wheels and 8" Casters) 115STF11 Standard
- 19" (24" Wheels and 8" Casters) 1" Spacer 115STF34 No Charge
- 20" (24" Wheels and 8" Casters) 2" Spacer 115STF35 \$110

FOOTNOTES:

- A. Heavy Duty Package consisting of gusseted frame
- B. Quick release axles are used on 23"-24" wide chairs.
- C. Only available with pull to lock brakes.
- D. With 12" rear wheel you can only have push to lock brakes.
- R. Add 9.5" to seat width of chair on finished product (handrim to handrim)

* Options marked by an asterisk are not covered by AADL and are the client's financial responsibility.

A1 = Clients Responsibility
A2 = Clinical Justification



Standard Features:

- Seat Width 18"
- Seat Depth 18"
- Canes and Stroller Bar
- Heel Loops
- Seat to Floor 18"
- Rear Wheels 24"
- Castors 8"
- Multi Adjustable Axle Plate
- 70 Degree Front Rigging w/aluminum flip up footplate
- T-Style Height Adjustable Full Length Gel
- Choice of 2 colors - Black or Silver
- Anti-tippers
- Two way Padded, Contoured Headrest
- Adjustable Orion Back
- Prism Ideal Cushion
- Aluminum Seat Pan
- Push to Lock Wheel Locks

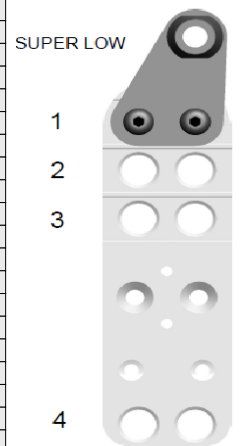
ORION II FRONT SEAT TO FLOOR HEIGHT MATRIX

FRONT STF	CASTER	FORK HOLE	STEM LENGTH
13.25	4"	1	X-SHORT
14.5	5"	1	SHORT
15.0	5"	2	SHORT
15.5	5"	3	SHORT
16.0	6"	3	SHORT
16.5	7"	3	SHORT
16.0	5"	3	LONG
16.5	6"	3	LONG
17.0	7"	3	LONG
17.0	8"	3	LONG
18.0	8"	4	LONG
* 19.0	8"	4	LONG
** 20.0	8"	4	LONG

* 1" RISER BLOCK REQUIRED
** 2" RISER BLOCK REQUIRED

FRONT STF	REAR WHEEL	AXEL POS.
13.25	20"	SUPER LOW
13.25	16"	2
14.5	20"	1
14.5	16"	3
15.0	20"	2
15.5	22"	1
15.5	12"	4
16.0	24"	1
16.0	22"	2
16.0	20"	3
16.0	12"	4
16.5	24"	1
16.5	22"	2
16.5	24"	1
17.0	24"	2
17.0	22"	3
18.0	16"	4
18.0	24"	3
* 19.0	24"	3
** 20.0	24"	3

* 1" RISER BLOCK REQUIRED
** 2" RISER BLOCK REQUIRED



AXEL POSITIONS

6 REAR WHEEL RIM

- Mag Wheels 115RW09 No Charge

7 REAR WHEEL TIRE

- Airless (Solid Rubber) 115RT1 Standard
- Pneumatic 115RT2 No Charge

8 HANDRIM OPTIONS

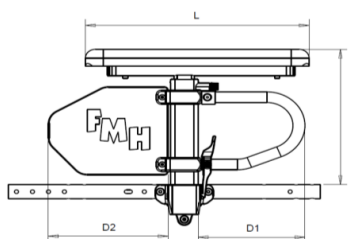
- Chrome 115HR1 Standard
- Plastic Coated 115HR2 \$160
- Omit Handrims 115HR3 No Charge

9 ARM TYPE

- Flip Back Adjustable Height 115AR10 \$125
- T-Style Adjustable Height 115AR04 Standard
- T-Style Adjustable Height Pin Release - Youth 115AR05 \$125
- T-Style Adjustable Height Pin Release - Adult 115AR06 \$125
- T-Style Fixed Height 115AR02 \$125
- 2-point Fixed Height Heavy Duty Arm 115AR13 \$125

Armrest Matrix for T-Style Pin Release Arm

Armrest Style	Transfer Tube Length D1	Arm Guard Length D2	H Range
Adult	6.75"	7.50"	9.50" - 14.50"
Youth	4.50"	5.0"	8.75" - 13.75"



Arm Pad Length L		
Desk	Full	Curved
10.25"	14.0"	17.0"

14(A) RECLINE OPTIONS

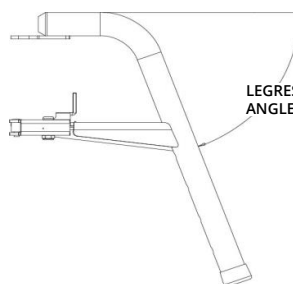
- Canes & Stroller Bars Recline High 115SP6 \$500
- Canes & Stroller Bars Recline Low 115SP5 \$500
- Stroller Bar Recline High 115SP12 \$500
- Stroller Bar Recline Low 115SP11 \$500

15 TRIGGER LOCATION

- Trigger Location - Push Cane 115TH1 No Charge
- Trigger Location - Stroller Bar 115TH2 No Charge
- Foot Tilt Release (Mounted onto left side) 115TH3 \$95
- Foot Tilt Release (Mounted onto right side) 115TH4 \$95

16 FRONT RIGGING

- 70 Degree Pin Style 115FR01 Standard
- 80 Degree Pin Style 115FR02 No Charge
- 60 Degree Swingaway Upgraded 115FR03 \$215
- 70 Degree Swingaway Upgraded 115FR04 \$215
- 90 Degree Swingaway Upgraded 115FR05 \$230
- Elevating Legrest (pair) 115FR10 \$550
- Dual Swingaway Elevating Legrest (pair) 115FR25 \$580
- Omit Front Rigging 115FR11 No Charge
- Omit Footrest Hanger 115FR12 No Charge



Wheelchair bariatric = \$150
Lunar Swingaway Lateral = \$200

10 ARM PAD

- Desk length Vinyl 10" (pair) 115AP1 No Charge
- Full length Vinyl 14" (pair) 115AP2 No Charge
- Contour Gel 17" (pair) 115AP3 Standard

11 BACK OPTIONS (CHOOSE ONE)

- Orion Back (16", 18", 20") available height only 115BK00 No Charge
- Omit Back 115BK49 No Charge
- Prism Basic Back 115BK01 \$150

12 BACK PINS

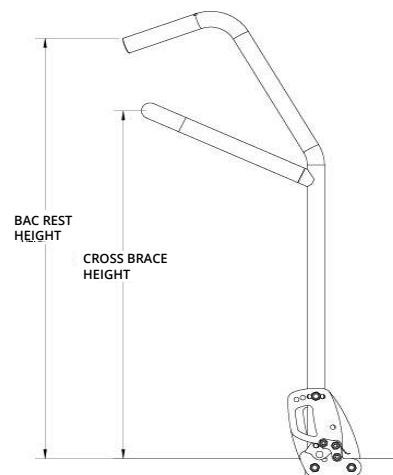
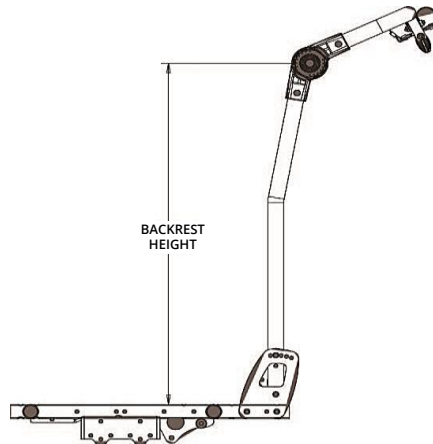
- Longer Pins for Back Hardware 1" Growth 115BP1 \$50
- Longer Pins for Back Hardware 2" Growth 115BP2 \$50

13 SEAT OPTIONS (CHOOSE ONE)

- Seat Pan 115SE1 Standard
- Prism Ideal Cushion - Stock Sizes 115SC01 Standard
- Prism Ideal Cushion - Non-Stock Sizes 115SC02 No Charge
- Prism Ideal Cushion Custom on chair 115SC03 No Charge
- Prism Supreme II Cushion 115SC07 \$375
- Omit Cushion 115SC20 No Charge

14 PUSH OPTIONS

- Stroller Bars Adjustable Hinged High 101SH5 No Charge
- Stroller Bars Adjustable Hinged Low 101SH6 No Charge
- Canes & Stroller Bars Fixed High 115SP2 No Charge
- Canes & Stroller Bars Fixed Low 115SP1 No Charge
- Stroller Bars Fixed High 115SH2 No Charge
- Stroller Bars Fixed Low 115SH1 No Charge
- Canes & Stroller Bars Fold Down High 115SP4 \$250
- Canes & Stroller Bars Fold Down Low 115SP3 \$250
- Stroller Bars Adjustable Angle Fold Down High 115SH4 \$250
- Stroller Bars Adjustable Angle Fold Down Low 115SH3 \$250
- Back Cane Angle (83, 90, 97, 104,111) Specify 115BA1 No Charge



FOOTNOTES:

- E. Height adjustability of 4" and depth adjustability of 1"
- G. Please refer to Backs order form for stock, non-stock, bariatric and c
- H. Includes Swingway Calf Pads
- S. Pins not required for Lunar Backs

A1 = Clients Responsibility
A2 = Clinical Justification

17 FOOTPLATE TYPE

<input type="checkbox"/> Aluminum Angle Adj. Flip Up Small	115FP10	No Charge
<input type="checkbox"/> Aluminum Angle Adj. Flip Up Medium	115FP11	No Charge
<input type="checkbox"/> Aluminum Angle Adj. Flip Up Large	115FP12	No Charge
¹ <input type="checkbox"/> One Piece Flip-Up Footboard, Aluminum (15"-20")	115FP19	\$160
¹ <input type="checkbox"/> One Piece Flip-Up Footboard, Aluminum (21"-24" Custom)	115FP20	\$195

18 FOOTREST/LEGREST ACCESSORIES

<input type="checkbox"/> Heel Loops	115FA01	Standard
<input type="checkbox"/> Omit Heel Loops	115FA02	No Charge
<input type="checkbox"/> Padded Calf Strap	115FA03	\$70
^{A1} <input type="checkbox"/> Foam Guard on Elevating Legrest (pair)	115FA05	\$70
^{A1} <input type="checkbox"/> Foam Pad One Piece Footboard	115FA06	\$50
^{A1} <input type="checkbox"/> Foam Pad on Footplate (pair)	115FA07	\$70

19 WHEEL LOCKS

<input type="checkbox"/> Push-to-Lock Wheel Lock	115WL1	Standard
<input type="checkbox"/> Pull-to-Lock Wheel Lock	115WL2	\$40
<input type="checkbox"/> Wheel Lock Extension	115WL3	No Charge
^{A1} <input type="checkbox"/> Attendant Wheel Lock (Foot Activated) RT	115WL8	\$356
^{A1} <input type="checkbox"/> Attendant Wheel Lock (Foot Activated) LT	115WL9	\$356

20 ANTI TIP

<input type="checkbox"/> Quick Flip Anti-Tippers	115MA23	Standard
--	---------	----------

21 HEADREST HARDWARE OPTIONS

<input type="checkbox"/> Fixed Headrest	115HE01	No Charge
<input type="checkbox"/> Fixed Headrest Curved	115HE15	No Charge
<input type="checkbox"/> Fixed Headrest (Plus 4")	115HE02	\$20
<input type="checkbox"/> Fixed Headrest Curved (Plus 4")	115HE16	\$20
^{A1} <input type="checkbox"/> Single Multi Axial Headrest	115HE03	\$158
^{A1} <input type="checkbox"/> Single Multi Axial Curved Headrest	115HE17	\$175
^{A1} <input type="checkbox"/> Single Multi Axial Headrest (Plus 4")	115HE04	\$183
^{A1} <input type="checkbox"/> Single Multi Axial Curved Headrest (Plus 4")	115HE18	\$200
^{A1} <input type="checkbox"/> Dual Multi Axial Headrest	115HE05	\$195
^{A1} <input type="checkbox"/> Dual Multi Axial Curved Headrest	115HE19	\$225
^{A1} <input type="checkbox"/> Dual Multi Axial Headrest (Plus 4")	115HE06	\$220
^{A1} <input type="checkbox"/> Dual Multi Axial Curved Headrest (Plus 4")	115HE20	\$250

22 HEADREST FOAM PAD OPTIONS

<input type="checkbox"/> Small Headrest	115HF1	No Charge
<input type="checkbox"/> Small Headrest with Wings	115HF2	\$90
<input type="checkbox"/> Medium Headrest	115HF7	No Charge
<input type="checkbox"/> Medium Headrest with Wings	115HF8	\$90
<input type="checkbox"/> Large Headrest	115HF3	Standard
<input type="checkbox"/> Large Headrest with Wings	115HF4	\$95
<input type="checkbox"/> Pro-Fit Small Headrest	115HF12	\$100
<input type="checkbox"/> Pro-Fit Medium Headrest	115HF13	\$105
<input type="checkbox"/> Pro-Fit Large Headrest	115HF14	\$110
<input type="checkbox"/> Omit Headrest	115HE09	No Charge

23 HEADREST ADAPTOR BRACKETS

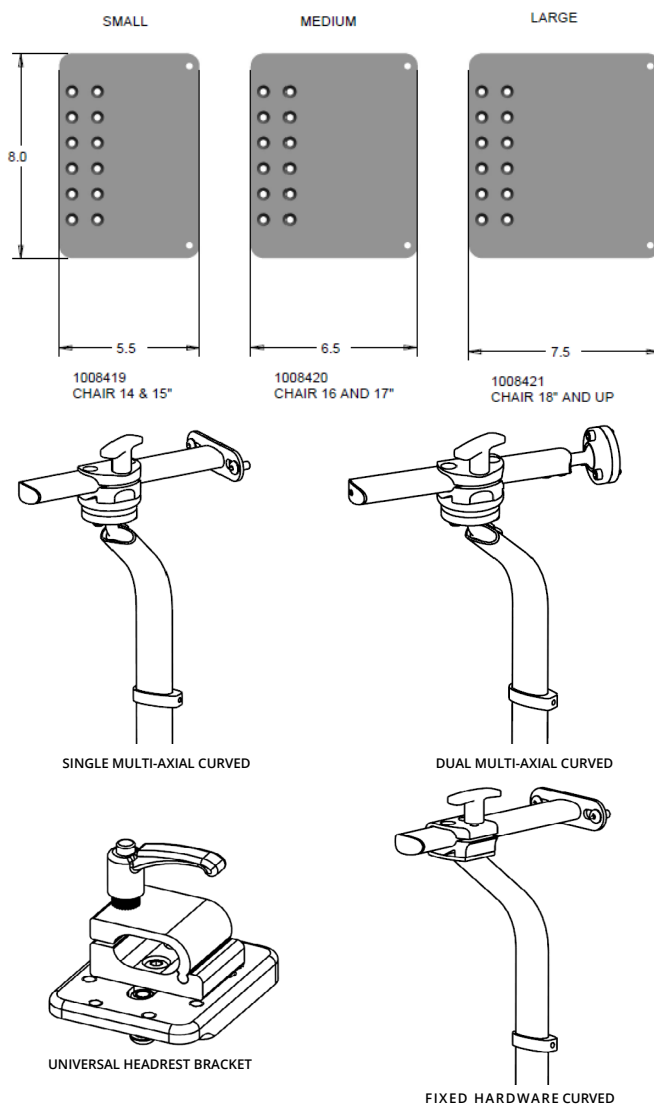
<input type="checkbox"/> Universal Headrest Adaptor Bracket with Clamp	115HEBA	No Charge
--	---------	-----------

24 MISCELLANEOUS ACCESSORIES

<input type="checkbox"/> Tilt Locking Collar	115MA01	\$20
<input type="checkbox"/> Recline Locking Collar	115MA02	\$20
<input type="checkbox"/> Auto Seat Positioning Strap	115MA03	\$24
<input type="checkbox"/> Padded Lap Tray 15"-16"	115MA09	No Charge
<input type="checkbox"/> Padded Lap Tray 17"-18"	115MA10	No Charge
<input type="checkbox"/> Padded Lap Tray 19"-20"	115MA11	No Charge
<input type="checkbox"/> Padded Lap Tray 21"-22"	115MA12	No Charge
<input type="checkbox"/> Padded Lap Tray 23"-24"	115MA13	No Charge
<input type="checkbox"/> Half Padded Lap Tray, left side	115MA14	No Charge
<input type="checkbox"/> Half Padded Lap Tray, right side	115MA15	No Charge
<input type="checkbox"/> Elbow Stop, left	115MA16	\$55
<input type="checkbox"/> Elbow Stop, right	115MA17	\$55
^K <input type="checkbox"/> Shoulder Lateral Pad (each)	115MA18	\$90
^L <input type="checkbox"/> Adjustable Side Pad	115MA19	\$157
^{A1} <input type="checkbox"/> IV Pole, telescopic	115MA20	\$168
<input type="checkbox"/> Oxygen Tank Holder	115MA21	\$173
<input type="checkbox"/> Quick Release Axle	115AL1	\$110
<input type="checkbox"/> Spoke Guards available on 20", 22" and 24" wheels	115MA49	\$130
^{N,A1} <input type="checkbox"/> Orion II Front and Rear Transit Hooks	115MA30	\$250
^{M,P,A1} <input type="checkbox"/> Power Tilt	115MA31	\$1,600

ALUMINUM FOOTPLATES

ADULT ALUMINUM ANGLE ADJUSTABLE FOOTPLATE



Notes:

FOOTNOTES:

- I. Not available with 7" or 8" casters when footboard is facing back on 90 degree swingaway
- K. Only available with Stroller Bar push option
- L. Not available with Flip Back Arms
- M. Weight Capacity of Orion II with Power Tilt is 250 lbs. Power Tilt can only be placed on Orion II chairs with seat width of 15" to 20" Power Tilt provides approximately 42° of infinite tilt (3° to 45°) Includes: 2 Button Hand Control
- N. Transit Hooks can only be used on Orion II wheelchairs up to 350 lbs. weight capacity. Tested in accordance with ANSI/RESNA WC/19
- P. Powe Tilt comes with a 27V plugin battery charger, 24V battery/control box, compact actuator with 135mm and a stroke length of 5.31"

A1 = Clients Responsibility
A2 = Clinical Justification

WARRANTY

Future Mobility Healthcare warrants the Orion II to be free from defects in materials and workmanship for a period of one year from the date of purchase. The frame is warranted for the lifetime of the original purchaser and/or user. The batteries required for Power Tilt are warranted for six months while the control box, battery charger, actuator and hand control are warranted for one year.

6750 Professional Court, Mississauga, ON, L4V 1X6 Phone: +1 (888) 737-4011, (905) 671-1661 Fax: (866) 670-3377
E-mail: orderdesk@futuremobility.ca Website: www.FutureMobility.ca

Prices and specs are subject to change without notice