



FUTURE MOBILITY HEALTHCARE INC.

DIVISION OF ABF MFG GROUP INC.
WWW.FUTUREMOBILITY.CA



ORION II

AAFL Code: W324

by FUTURE MOBILITY

Effective: October - 1 - 2019

TEL: 905-671-1661

FAX: 905-671-3377

orderdesk@futuremobility.ca

Account Information

Account #: _____
Business Name: _____
Ship to Address: _____
Contact: _____
Tag For: _____

Order Date: _____
P.O.# _____
Phone: _____
City: _____
Province: _____ Postal Code: _____

1 FRAME TYPE

Orion II 115 \$2,450
 Power Tilt 115MA31 \$1,600

2 FRAME FINISH

Black 115C01 No Charge

3 SEAT WIDTH

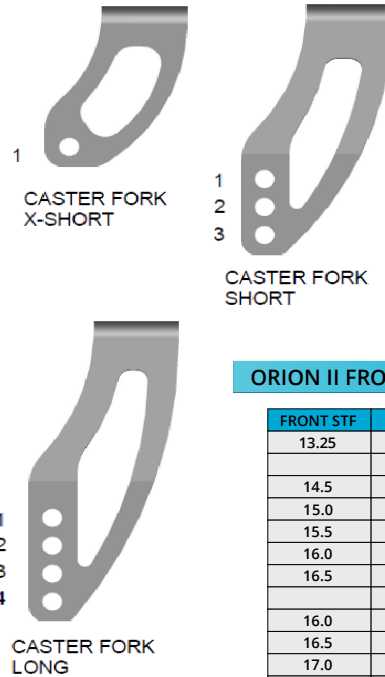
15" 115SW15 No Charge
 16" 115SW16 No Charge
 17" 115SW17 No Charge
 18" 115SW18 No Charge
 19" 115SW19 No Charge
 20" 115SW20 No Charge
 21" (Weight Limit 350 lbs.) 115SW21HD1 No Charge
 22" (Weight Limit 350 lbs.) 115SW22HD1 No Charge
 23" (Weight Limit 350 lbs.) 115SW23HD1 \$475
 24" (Weight Limit 350 lbs.) 115SW24HD1 \$475

4 SEAT DEPTH

15" 115SD15 No Charge
 16" 115SD16 No Charge
 17" 115SD17 No Charge
 18" 115SD18 No Charge
 19" 115SD19 No Charge
 20" 115SD20 \$110
 21" 115SD21 \$225
 22" 115SD22 \$225
 23" 115SD23 \$225
 24" 115SD24 \$225
 EZ Tilt Option 115AL4 No Charge

5 SEAT-TO-FLOOR HEIGHT (up to 350 lbs. weight capacity)

13.25" (20" Wheels and 4" Casters) 115STF01 \$225
 14.5" (20" rear and 5" casters) 115STF02 No Charge
 15" (20" Wheels and 5" Casters) 115STF03 No Charge
 15.5" (22" Wheels and 5" Casters) 115STF25 No Charge
 15.5" (12" Wheels and 6" Casters) 115STF26 \$195
 16" (20" Wheels and 5" Casters) 115STF27 No Charge
 16" (12" Wheels and 6" Casters) 115STF28 \$195
 16" (24" Wheels and 6" Casters) 115STF29 No Charge
 16" (22" Wheels and 6" Casters) 115STF06 No Charge
 16 1/2" (24" Wheels and 6" Casters) 115STF30 No Charge
 16 1/2" (24" Wheels and 7" Casters) 115STF31 No Charge
 16 1/2" (22" Wheels and 7" Casters) 115STF08 No Charge
 17" (24" Wheels and 7" Casters) 115STF32 No Charge
 17" (22" Wheels and 8" Casters) 115STF33 No Charge
 18" (24" Wheels and 8" Casters) 115STF11 Standard
 19" (24" Wheels and 8" Casters) 1" Spacer 115STF34 No Charge
 20" (24" Wheels and 8" Casters) 2" Spacer 115STF35 \$110



Standard Features:

- Seat Width 18"
- Seat Depth 18"
- Canes and Stroller Bar
- Heel Loops
- Seat to Floor 18"
- Rear Wheels 24"
- Casters 8"
- Multi Adjustable Axel Plate
- 70 Degree Front Rigging w/aluminum flip up footplate
- T-Style Height Adjustable Full Length Gel
- Choice of 2 colors - Black or Silver
- Anti-tippers
- Two way Padded, Contoured Headrest
- Adjustable Orion Back
- Prism Ideal Cushion
- Aluminum Seat Pan
- Push to Lock Wheel Locks

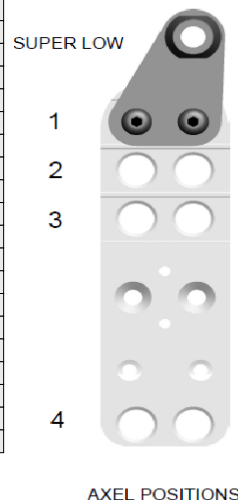
ORION II FRONT SEAT TO FLOOR HEIGHT MATRIX

| FRONT STF | CASTER | FORK HOLE | STEM LENGTH |
|-----------|--------|-----------|-------------|
| 13.25 | 4" | 1 | X-SHORT |
| 14.5 | 5" | 1 | SHORT |
| 15.0 | 5" | 2 | SHORT |
| 15.5 | 5" | 3 | SHORT |
| 16.0 | 6" | 3 | SHORT |
| 16.5 | 7" | 3 | SHORT |
| 16.0 | 5" | 3 | LONG |
| 16.5 | 6" | 3 | LONG |
| 17.0 | 7" | 3 | LONG |
| 17.0 | 8" | 3 | LONG |
| 18.0 | 8" | 4 | LONG |
| * 19.0 | 8" | 4 | LONG |
| ** 20.0 | 8" | 4 | LONG |

* 1" RISER BLOCK REQUIRED
** 2" RISER BLOCK REQUIRED

| FRONT STF | REAR WHEEL | AXEL POS. |
|-----------|------------|-----------|
| 13.25 | 20" | SUPER LOW |
| 13.25 | 16" | 2 |
| 14.5 | 20" | 1 |
| 14.5 | 16" | 3 |
| 15.0 | 20" | 2 |
| 15.5 | 22" | 1 |
| 15.5 | 12" | 4 |
| 16.0 | 24" | 1 |
| 16.0 | 22" | 2 |
| 16.0 | 20" | 3 |
| 16.0 | 12" | 4 |
| 16.5 | 24" | 1 |
| 16.5 | 22" | 2 |
| 16.5 | 24" | 1 |
| 17.0 | 24" | 2 |
| 17.0 | 22" | 3 |
| 18.0 | 16" | 4 |
| 18.0 | 24" | 3 |
| * 19.0 | 24" | 3 |
| ** 20.0 | 24" | 3 |

* 1" RISER BLOCK REQUIRED
** 2" RISER BLOCK REQUIRED



FOOTNOTES:

- A. Heavy Duty Package consisting of gusseted frame
- B. Quick release axles are used on 23"-24" wide chairs.
- C. Only available with pull to lock brakes.
- D. With 12" rear wheel you can only have push to lock brakes.
- R. Add 9.5" to seat width of chair on finished product (handrim to handrim)
- T. EZ Tilt option recommended on seat depths of 20" or higher

* Options marked by an asterisk are not covered by AAFL and are the client's financial responsibility.

A1 = Clients Responsibility
A2 = Clinical Justification

6750 Professional Court, Mississauga, ON, L4V 1X6 Phone: +1 (888) 737-4011, (905) 671-1661 Fax: (866) 670-3377
E-mail: orderdesk@futuremobility.ca Website: www.FutureMobility.ca

Prices and specs are subject to change without notice

6 REAR WHEEL RIM

- Mag Wheels 115RW09 No Charge

7 REAR WHEEL TIRE

- Airless (Solid Rubber) 115RT1 Standard
- Pneumatic 115RT2 No Charge

8 HANDRIM OPTIONS

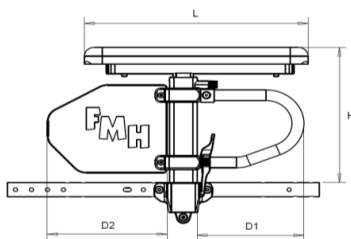
- Chrome 115HR1 Standard
- Plastic Coated 115HR2 \$160
- Omit Handrims 115HR3 No Charge

9 ARM TYPE

- Flip Back Adjustable Height 115AR10 \$125
- T-Style Adjustable Height 115AR04 Standard
- T-Style Adjustable Height Pin Release - Youth 115AR05 \$125
- T-Style Adjustable Height Pin Release - Adult 115AR06 \$125
- ^{A1} T-Style Fixed Height 115AR02 \$125
- 2-point Fixed Height Heavy Duty Arm 115AR13 \$125

Armrest Matrix for T-Style Pin Release Arm

| Armrest Style | Transfer Tube Length D1 | Arm Guard Length D2 | H Range |
|---------------|-------------------------|---------------------|----------------|
| Adult | 6.75" | 7.50" | 9.50" - 14.50" |
| Youth | 4.50" | 5.0" | 8.75" - 13.75" |



| Arm Pad Length L | | |
|------------------|-------|--------|
| Desk | Full | Curved |
| 10.25" | 14.0" | 17.0" |

14(A) RECLINE OPTIONS

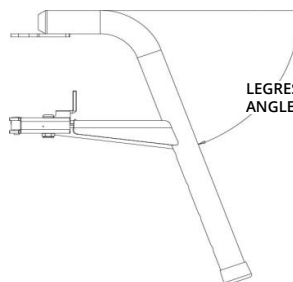
- Canes & Stroller Bars Recline High 115SP6 \$500
- Canes & Stroller Bars Recline Low 115SP5 \$500
- Stroller Bar Recline High 115SP12 \$500
- Stroller Bar Recline Low 115SP11 \$500

15 TRIGGER LOCATION

- Trigger Location - Push Cane 115TH1 No Charge
- Trigger Location - Stroller Bar 115TH2 No Charge
- Foot Tilt Release (Mounted onto left side) 115TH3 \$95
- Foot Tilt Release (Mounted onto right side) 115TH4 \$95

16 FRONT RIGGING

- 70 Degree Pin Style 115FR01 Standard
- 80 Degree Pin Style 115FR02 No Charge
- 60 Degree Swingaway Upgraded 115FR03 \$215
- 70 Degree Swingaway Upgraded 115FR04 \$215
- 90 Degree Swingaway Upgraded 115FR05 \$230
- ^{HA1} Elevating Legrest (pair) 115FR10 \$550
- ^{HA1} Dual Swingaway Elevating Legrest (pair) 115FR25 \$580
- Omit Front Rigging 115FR11 No Charge
- Omit Footrest Hanger 115FR12 No Charge



Wheelchair bariatric = \$150
Lunar Swingaway Lateral = \$200

10 ARM PAD

- Desk length Vinyl 10" (pair) 115AP1 No Charge
- Full length Vinyl 14" (pair) 115AP2 No Charge
- Contour Gel 17" (pair) 115AP3 Standard

11 BACK OPTIONS (CHOOSE ONE)

- ^E Orion Back (16", 18", 20") available height only 115BK00 No Charge
- Omit Back 115BK49 No Charge
- Prism Basic Back 115BK01 \$150

12 BACK PINS

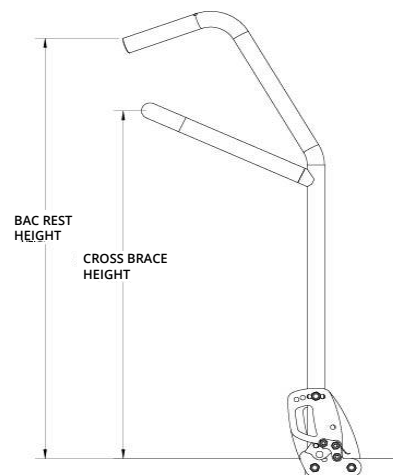
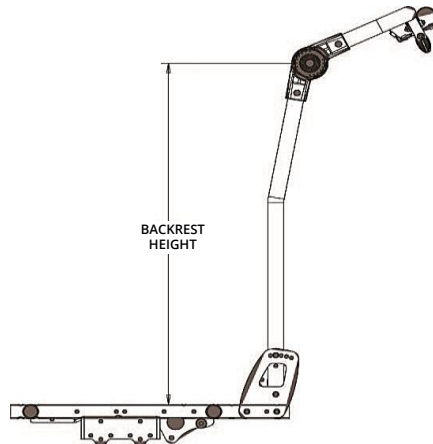
- ^S Longer Pins for Back Hardware 1" Growth 115BP1 \$50
- Longer Pins for Back Hardware 2" Growth 115BP2 \$50

13 SEAT OPTIONS (CHOOSE ONE)

- Seat Pan 115SE1 Standard
- ^G Prism Ideal Cushion - Stock Sizes 115SC01 Standard
- ^G Prism Ideal Cushion - Non-Stock Sizes 115SC02 No Charge
- ^G Prism Ideal Cushion Custom on chair 115SC03 No Charge
- ^{A1} Prism Supreme II Cushion 115SC07 \$375
- Omit Cushion 115SC20 No Charge

14 PUSH OPTIONS

- Canes & Stroller Bars Fixed High 115SP2 No Charge
- Canes & Stroller Bars Fixed Low 115SP1 No Charge
- ^{A1} Canes & Stroller Bars Fold Down High 115SP4 \$250
- ^{A1} Canes & Stroller Bars Fold Down Low 115SP3 \$250
- ^{A1} Stroller Bars Adjustable Angle Fold Down High 115SH4 \$250
- ^{A1} Stroller Bars Adjustable Angle Fold Down Low 115SH3 \$250
- Stroller Bars Fixed High 115SH2 No Charge
- Stroller Bars Fixed Low 115SH1 No Charge
- Back Cane Angle (83, 90, 97, 104,111) Specify_____ 115BA1 No Charge



FOOTNOTES:

- E. Height adjustability of 4" and depth adjustability of 1"
- G. Please refer to Backs order form for stock, non-stock, bariatric and c
- H. Includes Swingway Calf Pads
- S. Pins not required for Lunar Backs

A1 = Clients Responsibility
A2 = Clinical Justification

17 FOOTPLATE TYPE

| | | |
|--|---------|-----------|
| <input type="checkbox"/> Aluminum Angle Adj. Flip Up Small | 115FP10 | No Charge |
| <input type="checkbox"/> Aluminum Angle Adj. Flip Up Medium | 115FP11 | No Charge |
| <input type="checkbox"/> Aluminum Angle Adj. Flip Up Large | 115FP12 | No Charge |
| ¹ <input type="checkbox"/> One Piece Flip-Up Footboard, Aluminum (15"-20") | 115FP19 | \$160 |
| ¹ <input type="checkbox"/> One Piece Flip-Up Footboard, Aluminum (21"-24" Custom) | 115FP20 | \$195 |

18 FOOTREST/LEGREST ACCESSORIES

| | | |
|---|---------|-----------|
| <input type="checkbox"/> Heel Loops | 115FA01 | Standard |
| <input type="checkbox"/> Omit Heel Loops | 115FA02 | No Charge |
| <input type="checkbox"/> Padded Calf Strap | 115FA03 | \$70 |
| ^{A1} <input type="checkbox"/> Foam Guard on Elevating Legrest (pair) | 115FA05 | \$70 |
| ^{A1} <input type="checkbox"/> Foam Pad One Piece Footboard | 115FA06 | \$50 |
| ^{A1} <input type="checkbox"/> Foam Pad on Footplate (pair) | 115FA07 | \$70 |

19 WHEEL LOCKS

| | | |
|---|--------|-----------|
| <input type="checkbox"/> Push-to-Lock Wheel Lock | 115WL1 | Standard |
| <input type="checkbox"/> Pull-to-Lock Wheel Lock | 115WL2 | \$40 |
| <input type="checkbox"/> Wheel Lock Extension | 115WL3 | No Charge |
| ^{A1} <input type="checkbox"/> Attendant Wheel Lock (Foot Activated) RT | 115WL8 | \$356 |
| ^{A1} <input type="checkbox"/> Attendant Wheel Lock (Foot Activated) LT | 115WL9 | \$356 |

20 ANTI TIP

| | | |
|--|---------|----------|
| <input type="checkbox"/> Quick Flip Anti-Tippers | 115MA23 | Standard |
|--|---------|----------|

21 HEADREST HARDWARE OPTIONS

| | | |
|---|---------|-----------|
| <input type="checkbox"/> Fixed Headrest | 115HE01 | No Charge |
| <input type="checkbox"/> Fixed Headrest Curved | 115HE15 | No Charge |
| <input type="checkbox"/> Fixed Headrest (Plus 4") | 115HE02 | \$20 |
| <input type="checkbox"/> Fixed Headrest Curved (Plus 4") | 115HE16 | \$20 |
| ^{A1} <input type="checkbox"/> Single Multi Axial Headrest | 115HE03 | \$158 |
| ^{A1} <input type="checkbox"/> Single Multi Axial Curved Headrest | 115HE17 | \$175 |
| ^{A1} <input type="checkbox"/> Single Multi Axial Headrest (Plus 4") | 115HE04 | \$183 |
| ^{A1} <input type="checkbox"/> Single Multi Axial Curved Headrest (Plus 4") | 115HE18 | \$200 |
| ^{A1} <input type="checkbox"/> Dual Multi Axial Headrest | 115HE05 | \$195 |
| ^{A1} <input type="checkbox"/> Dual Multi Axial Curved Headrest | 115HE19 | \$225 |
| ^{A1} <input type="checkbox"/> Dual Multi Axial Headrest (Plus 4") | 115HE06 | \$220 |
| ^{A1} <input type="checkbox"/> Dual Multi Axial Curved Headrest (Plus 4") | 115HE20 | \$250 |

22 HEADREST FOAM PAD OPTIONS

| | | |
|---|---------|-----------|
| <input type="checkbox"/> Small Headrest | 115HF1 | No Charge |
| <input type="checkbox"/> Small Headrest with Wings | 115HF2 | \$90 |
| <input type="checkbox"/> Medium Headrest | 115HF7 | No Charge |
| <input type="checkbox"/> Medium Headrest with Wings | 115HF8 | \$90 |
| <input type="checkbox"/> Large Headrest | 115HF3 | Standard |
| <input type="checkbox"/> Large Headrest with Wings | 115HF4 | \$95 |
| <input type="checkbox"/> Pro-Fit Small Headrest | 115HF12 | \$100 |
| <input type="checkbox"/> Pro-Fit Medium Headrest | 115HF13 | \$105 |
| <input type="checkbox"/> Pro-Fit Large Headrest | 115HF14 | \$110 |
| <input type="checkbox"/> Omit Headrest | 115HE09 | No Charge |

23 HEADREST ADAPTOR BRACKETS

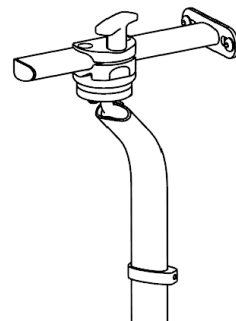
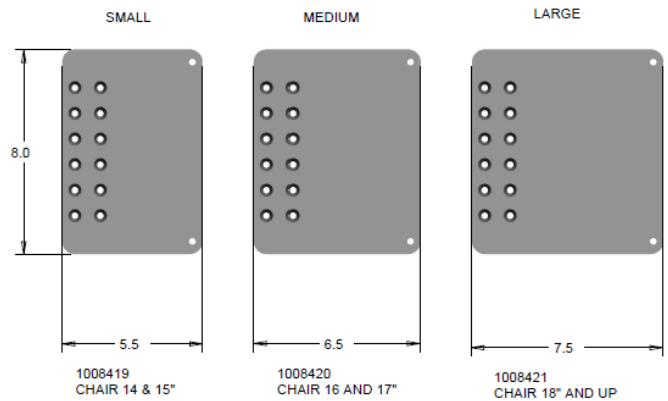
| | | |
|--|---------|------|
| <input type="checkbox"/> Universal Headrest Adaptor Bracket with Clamp | 115HEBA | \$86 |
|--|---------|------|

24 MISCELLANEOUS ACCESSORIES

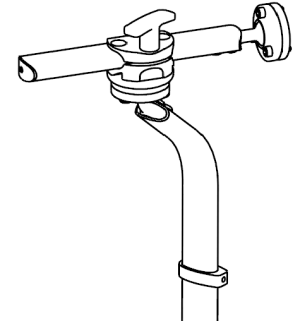
| | | |
|--|---------|-----------|
| <input type="checkbox"/> Tilt Locking Collar | 115MA01 | \$20 |
| <input type="checkbox"/> Recline Locking Collar | 115MA02 | \$20 |
| <input type="checkbox"/> Auto Seat Positioning Strap | 115MA03 | \$24 |
| <input type="checkbox"/> Padded Lap Tray 15"-16" | 115MA09 | No Charge |
| <input type="checkbox"/> Padded Lap Tray 17"-18" | 115MA10 | No Charge |
| <input type="checkbox"/> Padded Lap Tray 19"-20" | 115MA11 | No Charge |
| <input type="checkbox"/> Padded Lap Tray 21"-22" | 115MA12 | No Charge |
| <input type="checkbox"/> Padded Lap Tray 23"-24" | 115MA13 | No Charge |
| <input type="checkbox"/> Half Padded Lap Tray, left side | 115MA14 | No Charge |
| <input type="checkbox"/> Half Padded Lap Tray, right side | 115MA15 | No Charge |
| <input type="checkbox"/> Elbow Stop, left | 115MA16 | \$55 |
| <input type="checkbox"/> Elbow Stop, right | 115MA17 | \$55 |
| ^K <input type="checkbox"/> Shoulder Lateral Pad (each) | 115MA18 | \$90 |
| ^L <input type="checkbox"/> Adjustable Side Pad | 115MA19 | \$157 |
| ^{A1} <input type="checkbox"/> IV Pole, telescopic | 115MA20 | \$168 |
| <input type="checkbox"/> Oxygen Tank Holder | 115MA21 | \$173 |
| <input type="checkbox"/> Quick Release Axle | 115AL1 | \$110 |
| <input type="checkbox"/> Spoke Guards available on 20", 22" and 24" wheels | 115MA49 | \$130 |
| ^{N,A1} <input type="checkbox"/> Orion II Front and Rear Transit Hooks | 115MA30 | \$250 |
| ^{M,P,A1} <input type="checkbox"/> Power Tilt | 115MA31 | \$1,600 |

ALUMINUM FOOTPLATES

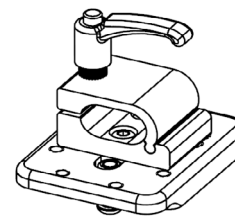
ADULT ALUMINUM ANGLE ADJUSTABLE FOOTPLATE



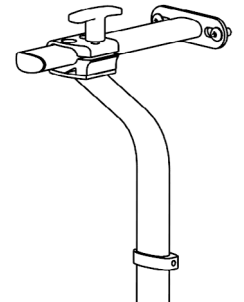
SINGLE MULTI-AXIAL CURVED



DUAL MULTI-AXIAL CURVED



UNIVERSAL HEADREST BRACKET



FIXED HARDWARE CURVED

Notes:

FOOTNOTES:

- I. Not available with 7" or 8" casters when footboard is facing back on 90 degree swingaway
- K. Only available with Stroller Bar push option
- L. Not available with Flip Back Arms
- M. Weight Capacity of Orion II with Power Tilt is 250 lbs. Power Tilt can only be placed on Orion II chairs with seat width of 15" to 20" Power Tilt provides approximately 42° of infinite tilt (3° to 45°) Includes: 2 Button Hand Control
- N. Transit Hooks can only be used on Orion II wheelchairs up to 350 lbs. weight capacity. Tested in accordance with ANSI/RESNA WC/19
- P. Powe Tilt comes with a 27V plugin battery charger, 24V battery/control box, compact actuator with 135mm and a stroke length of 5.31"

A1 = Clients Responsibility
A2 = Clinical Justification

WARRANTY

Future Mobility Healthcare warrants the Orion II to be free from defects in materials and workmanship for a period of one year from the date of purchase. The frame is warranted for the lifetime of the original purchaser and/or user. The batteries required for Power Tilt are warranted for six months while the control box, battery charger, actuator and hand control are warranted for one year.

6750 Professional Court, Mississauga, ON, L4V 1X6 Phone: +1 (888) 737-4011, (905) 671-1661 Fax: (866) 670-3377

E-mail: orderdesk@futuremobility.ca Website: www.FutureMobility.ca

Prices and specs are subject to change without notice