



FUTURE MOBILITY HEALTHCARE INC.

DIVISION OF ABF MFG GROUP INC.
WWW.FUTUREMOBILITY.CA



PRISM
BY FUTURE MOBILITY

Adjustable Drop Base

TEL: 905-671-1661

FAX: 905-671-3377

orderdesk@futuremobility.ca

Account Information

Account #: _____
Business Name: _____
Ship to Address: _____
Contact: _____
Tag For: _____

Order Date: _____
P.O.# _____
Phone: _____
City: _____
Province: _____ Postal Code: _____

ADJUSTABLE DROP BASE

ADP CODE: SESND1020

(Stock Sizes - Same day shipments)

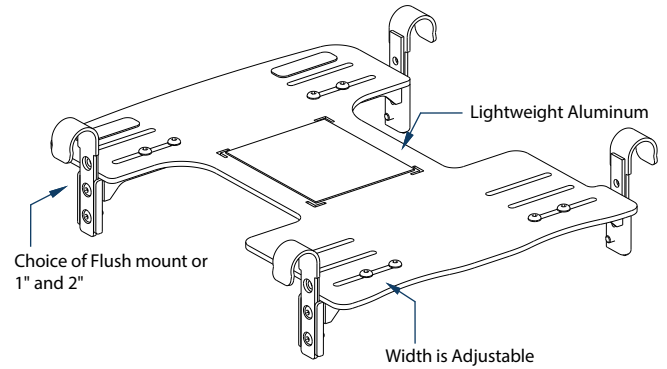
<input type="checkbox"/>	16"-18"wide x 15"deep	ADB16-1815	\$325	_____
<input type="checkbox"/>	16"-18"wide x 16"deep	ADB16-1816	\$325	_____
<input type="checkbox"/>	16"-18"wide x 17"deep	ADB16-1817	\$325	_____
<input type="checkbox"/>	16"-18"wide x 18"deep	ADB16-1818	\$325	_____
<input type="checkbox"/>	16"-18"wide x 19"deep	ADB16-1819	\$325	_____
<input type="checkbox"/>	16"-18"wide x 20"deep	ADB16-1820	\$325	_____

(Non-Stock Sizes - Shipments within 3 Business Days)

<input type="checkbox"/>	14"-16"wide x 16"deep	ADB14-1616	\$375	_____
<input type="checkbox"/>	14"-16"wide x 18"deep	ADB14-1618	\$375	_____
<input type="checkbox"/>	19"-21"wide x 16"deep	ADB19-2116	\$375	_____
<input type="checkbox"/>	19"-21"wide x 17"deep	ADB19-2117	\$375	_____
<input type="checkbox"/>	19"-21"wide x 18"deep	ADB19-2118	\$375	_____
<input type="checkbox"/>	19"-21"wide x 19"deep	ADB19-2119	\$375	_____
<input type="checkbox"/>	19"-21"wide x 20"deep	ADB19-2120	\$375	_____

(Custom Sizes - Shipments within 7 Business Days)

Custom Size ADBCUS \$400 _____
Width: _____
Depth: _____



NOTES:
