



FUTURE MOBILITY HEALTHCARE INC.

DIVISION OF ABF MFG GROUP INC.
WWW.FUTUREMOBILITY.CA



PRISM
BY FUTURE MOBILITY

Seat Bolsters

TEL: 905-671-1661

FAX: 905-671-3377

orderdesk@futuremobility.ca

Account Information

Account #: _____
Business Name: _____
Ship to Address: _____
Contact: _____
Tag For: _____

Order Date: _____
P.O.#: _____
Phone: _____
City: _____
Province: _____ Postal Code: _____

SEAT BOLSTERS

ADP CODE: SESND1035

Bolster Cushion with Pommel - Comp. Assembly

- | | | | |
|--|---------|-------|-------|
| <input type="checkbox"/> 16"wide x 4"height x 4"deep | BOL1116 | \$180 | _____ |
| <input type="checkbox"/> 18"wide x 4"height x 4"deep | BOL1118 | \$180 | _____ |
| <input type="checkbox"/> 20"wide x 4"height x 4"deep | BOL1120 | \$180 | _____ |
| <input type="checkbox"/> 16"wide x 5.5"height x 4"deep | BOL1216 | \$180 | _____ |
| <input type="checkbox"/> 18"wide x 5.5"height x 4"deep | BOL1218 | \$180 | _____ |
| <input type="checkbox"/> 20"wide x 5.5"height x 4"deep | BOL1220 | \$180 | _____ |

Bolster Cushion without Pommel - Comp. Assembly

- | | | | |
|--|---------|-------|-------|
| <input type="checkbox"/> 16"wide x 4"height x 4"deep | BOL1316 | \$180 | _____ |
| <input type="checkbox"/> 18"wide x 4"height x 4"deep | BOL1318 | \$180 | _____ |
| <input type="checkbox"/> 20"wide x 4"height x 4"deep | BOL1320 | \$180 | _____ |
| <input type="checkbox"/> 16"wide x 5.5"height x 4"deep | BOL1416 | \$180 | _____ |
| <input type="checkbox"/> 18"wide x 5.5"height x 4"deep | BOL1418 | \$180 | _____ |
| <input type="checkbox"/> 20"wide x 5.5"height x 4"deep | BOL1420 | \$180 | _____ |

Hammock Bolster Cushion with Pommel

- | | | | |
|--|---------|-------|-------|
| <input type="checkbox"/> 16"wide x 4"height x 4"deep | BOL1516 | \$190 | _____ |
| <input type="checkbox"/> 18"wide x 4"height x 4"deep | BOL1518 | \$190 | _____ |
| <input type="checkbox"/> 20"wide x 4"height x 4"deep | BOL1520 | \$190 | _____ |
| <input type="checkbox"/> 16"wide x 5.5"height x 4"deep | BOL1616 | \$190 | _____ |
| <input type="checkbox"/> 18"wide x 5.5"height x 4"deep | BOL1618 | \$190 | _____ |
| <input type="checkbox"/> 20"wide x 5.5"height x 4"deep | BOL1620 | \$190 | _____ |

(Custom Sizes - Shipments within 7 Business Days)

ADP CODE: SEMCF209L

- | | | | |
|--------------------------------------|---------|-------|-------|
| <input type="checkbox"/> Custom Size | BOL1CUS | \$380 | _____ |
| Width: _____ (Min 24", Max 32") | | | |
| Depth: _____ (Min 16", Max 26") | | | |



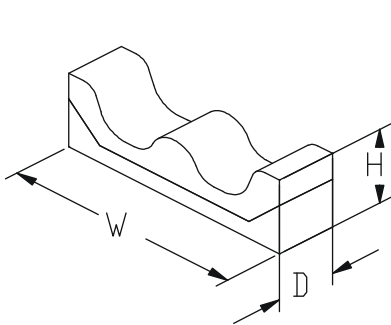
Bolster Cushions with Pommel

Bolster Cushions without Pommel

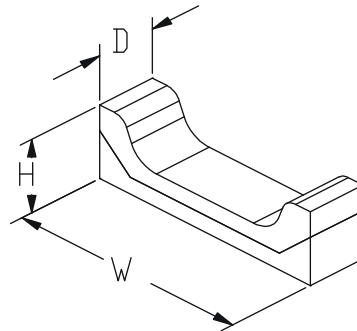


NOTES:

Blank area for notes.



BOLSTER CUSHION WITH POMMEL - COMP. ASSEMBLY



BOLSTER CUSHION W/O POMMEL - COMP. ASSEMBLY