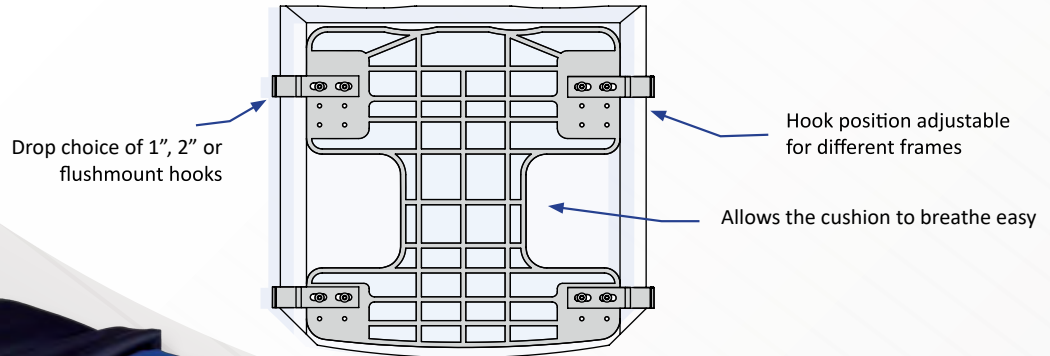




Supreme Drop Base

The Prism Supreme Cushion Drop Base™ was designed for clients requiring a stable base of support on their seat cushion. The drop base lowers the seat cushion height for an improved fit under tables, desks, and allows for easier foot propulsion. The Supreme Cushion Drop Base is made of steel and is lightweight. Its unique design allows the cushion to breathe easier, yet still provide stability to the user.



Product Highlights

- Provides stability to the seat cushion
- Lowers the seat cushion height
- Unique design
- Easier foot propulsion
- Flexible size
- 4-way stretch, water resistant inner liner
- 4-way stretch, breathable outer cover

Product Weight: 5 lbs

User Weight: 250 lbs

Warranty: Two (2) years limited on cushion and 90 days on the cover.

Option with Hooks for both Supreme Drop Base & Drop Base only

Part Number	Size - Drop	Description
DBH1	1"	Drop Base Hooks only - Set of 4
DBH2	2"	Drop Base Hooks only - Set of 4

Supreme Drop Base

Stock Sizes – Same Day Shipment

ADP CODE: SESND1020

Part Number	Size	Part Number	Size
SC1DB1414	14" x 14" - 1"	SC2DB1618	16" x 18" - 2"
SC2DB1414	14" x 14" - 2"	SC1DB1816	18" x 16" - 1"
SC1DB1416	14" x 16" - 1"	SC2DB1816	18" x 16" - 2"
SC2DB1416	14" x 16" - 2"	SC1DB1818	18" x 18" - 1"
SC1DB1616	16" x 16" - 1"	SC2DB1818	18" x 18" - 2"
SC2DB1616	16" x 16" - 2"	SC1DB1820	18" x 20" - 1"
SC1DB1618	16" x 18" - 1"	SC2DB1820	18" x 20" - 2"

Custom Sizes - Shipment within 7 business days

ADP CODE: SESND1020

Part Number	Size - Drop	Description
SC1DBCUS	1"	Custom
SC2DBCUS	2"	Custom

Best Used For:

Under 350 LBS
Increased Rigidity
Extended Length Use
Adv. Positioning Needs
Adjustable Height
Foot Propulsion

Supreme Drop Base

Non-Stock Sizes Shipment within 3 business days

ADP CODE: SESND1020

Part Number	Size	Part Number	Size
SC1DB1516	15" x 16" - 1"	SC1DB1916	19" x 16" - 1"
SC2DB1516	15" x 16" - 2"	SC2DB1916	19" x 16" - 2"
SC1DB1518	15" x 18" - 1"	SC1DB1918	19" x 18" - 1"
SC2DB1518	15" x 18" - 2"	SC2DB1918	19" x 18" - 2"
SC1DB1620	16" x 20" - 1"	SC1DB1920	19" x 20" - 1"
SC2DB1620	16" x 20" - 2"	SC2DB1920	19" x 20" - 2"
SC1DB1716	17" x 16" - 1"	SC1DB2016	20" x 16" - 1"
SC2DB1716	17" x 16" - 2"	SC2DB2016	20" x 16" - 2"
SC1DB1718	17" x 18" - 1"	SC1DB2018	20" x 18" - 1"
SC2DB1718	17" x 18" - 2"	SC2DB2018	20" x 18" - 2"
SC1DB1720	17" x 20" - 1"	SC1DB2020	20" x 20" - 1"
SC2DB1720	17" x 20" - 2"	SC2DB2020	20" x 20" - 2"

Drop Base Only

Stock Sizes – Same Day Shipment

ADP CODE: SESND1020

Part Number	Size	Part Number	Size
DB11414	14" x 14" - 1"	DB21618	16" x 18" - 2"
DB21414	14" x 14" - 2"	DB11816	18" x 16" - 1"
DB11416	14" x 16" - 1"	DB21816	18" x 16" - 2"
DB21416	14" x 16" - 2"	DB11818	18" x 18" - 1"
DB11616	16" x 16" - 1"	DB21818	18" x 18" - 2"
DB21616	16" x 16" - 2"	DB11820	18" x 20" - 1"
DB11618	16" x 18" - 1"	DB21820	18" x 20" - 2"

Custom Sizes - Shipment within 7 business days

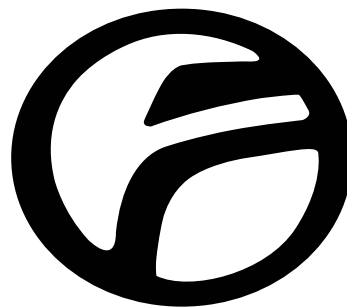
Part Number	Size - Drop	Description
DB1CUS	1"	Custom
DB2CUS	2"	Custom

Drop Base Only

Non-Stock Sizes Shipment within 3 business days

ADP CODE: SESND1020

Part Number	Size	Part Number	Size
DB11516	15" x 16" - 1"	DB11916	19" x 16" - 1"
DB21516	15" x 16" - 2"	DB21916	19" x 16" - 2"
DB11518	15" x 18" - 1"	DB11918	19" x 18" - 1"
DB21518	15" x 18" - 2"	DB21918	19" x 18" - 2"
DB11620	16" x 20" - 1"	DB11920	19" x 20" - 1"
DB21680	16" x 20" - 2"	DB21920	19" x 20" - 2"
DB21680	17" x 16" - 1"	DB12016	20" x 16" - 1"
DB21716	17" x 16" - 2"	DB22016	20" x 16" - 2"
DB11718	17" x 18" - 1"	DB12018	20" x 18" - 1"
DB21718	17" x 18" - 2"	DB22018	20" x 18" - 2"
DB11720	17" x 20" - 1"	DB12020	20" x 20" - 1"
DB21720	17" x 20" - 2"	DB22020	20" x 20" - 2"



FUTURE MOBILITY

CANADA

6750 Professional Court, Mississauga, L4V1X6

1-888-737-4011

www.futuremobility.ca

USA

1 Buffalo River Place, Buffalo, NY 14210

1-855-938-8873

www.futuremobility.com