



**FUTURE**

---

MOBILITY HEALTHCARE INC.

**HEADREST**

**PARTS MANUAL**

FUTURE MOBILITY HEALTHCARE APPRECIATES YOUR BUSINESS.  
OUR CUSTOMER SERVICE REPRESENTATIVES CAN BE CONTACTED AT:

**TO PLACE ORDERS:  
(905) 671-1661**

FOR YOUR CONVENIENCE YOU MAY ALSO PLACE ORDERS BY FAX AT:

**FAX: (905) 671-3377**

PLEASE VISIT OUR WEBSITE AT:

**[www.futuremobility.ca](http://www.futuremobility.ca)**

\*Part prices and configurations included in this Parts Manual are subject to change without prior notice.

\* All prices are shown as per unit individual price.

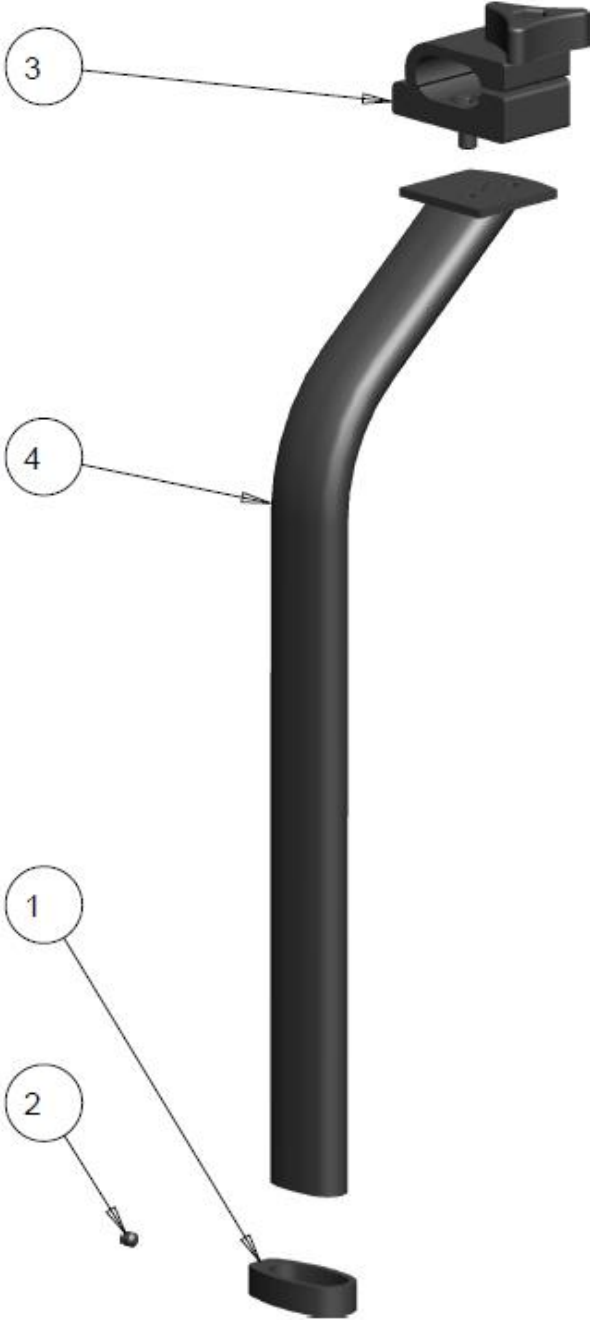
# **CONTENTS**

<b>HEADREST VERTICAL TUBES.....</b>	<b>5</b>
HEADREST FIXED VERTICAL TUBE.....	5
HEADREST MULTI-AXIAL VERTICAL TUBE .....	7
HEADREST INFINITE VERTICAL TUBE .....	9
<b>HEADREST HORIZONTAL TUBES .....</b>	<b>11</b>
HEADREST FIXED HORIZONTAL TUBE .....	11
HEADREST ARTICULATED HORIZONTAL TUBE .....	11
HEADREST INFINITE HORIZONTAL TUBE .....	11
<b>LINKS HEADREST.....</b>	<b>13</b>
LINKS HEADREST STRAIGHT VERTICAL TUBE .....	13
LINKS HEADREST CURVED VERTICAL TUBE .....	15
LINKS HEADREST BALL JOINT .....	17
LINKS HEADREST SINGLE LINK.....	17
<b>HEADREST BASE ADAPTER BRACKET .....</b>	<b>19</b>
2-HOLE HEADREST BASE ADAPTER BRACKET .....	19
UNIVERSAL HEADREST BASE ADAPTOR BRACKET .....	21



**HEADREST VERTICAL TUBES**

**HEADREST FIXED VERTICAL TUBE**

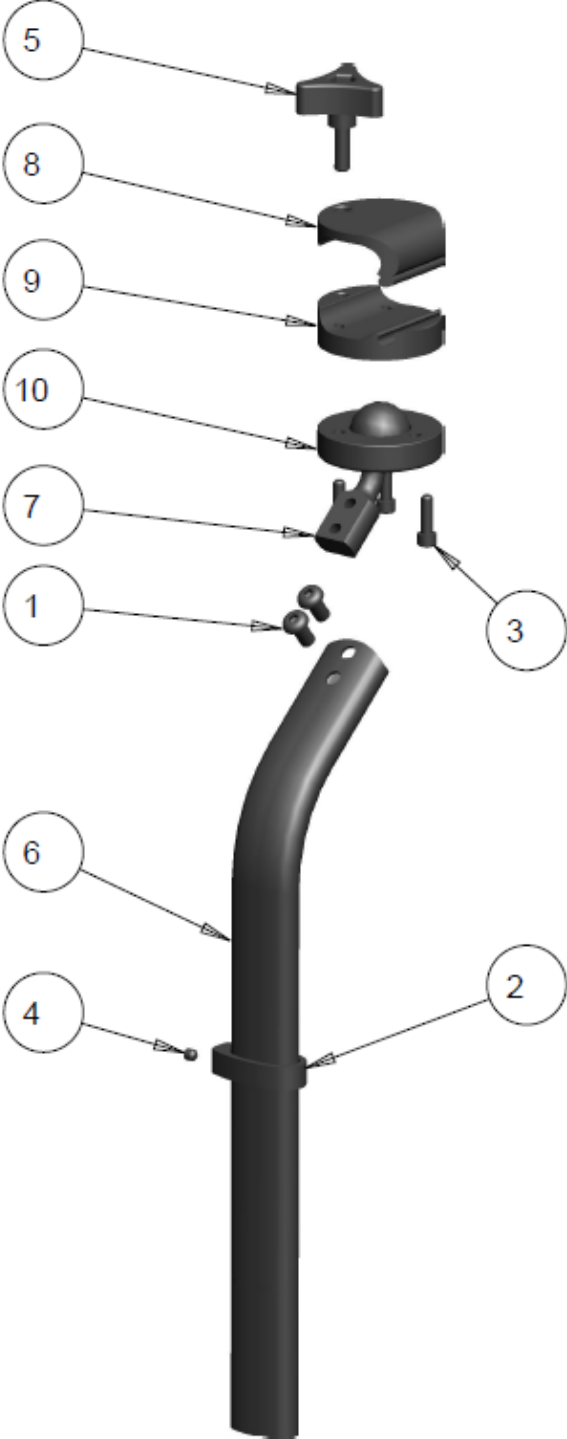


## HEADREST FIXED VERTICAL TUBE TABLE

ITEM	QTY	NOTES	PART NO.	DESCRIPTION	PRICE/ PER UNIT
1	1		1001199	HEADREST LOCKING COLLAR	\$17.50
2	1		1001214	SCREW, SET, SOC HD CUP POINT #10-32 X 3/16	\$3.00
3	1		1019596	CURVED HINGED OVAL HEADREST CLAMP	\$48.00
4	1		1001393	HEADREST CURVED POST WELDMENT	\$52.50
	1		1003928	HEADREST CURVED POST WELDMENT + 4"	\$72.00
	1		1018183	HEADREST STRAIGHT POST WELDMENT	\$47.00
	1		<b>1021424</b>	<b>KIT, CURVED POST STANDARD (ITEMS 1-4)</b>	<b>\$110.00</b>
	1		<b>1021425</b>	<b>KIT, CURVED POST PLUS 4" (ITEMS 1-4)</b>	<b>\$135.00</b>
	1		<b>1021426</b>	<b>KIT, STRAIGHT POST STANDARD (ITEMS 1-4)</b>	<b>\$105.00</b>
		B22265- 22275			

### NOTES:

# HEADREST MULTI-AXIAL VERTICAL TUBE



## HEADREST MULTI-AXIAL VERTICAL TUBE TABLE

ITEM	QTY	NOTES	PART NO.	DESCRIPTION	PRICE/ PER UNIT
1	2		1000411	SCREW,SOC BUTTON HEAD 1/4-20 X 0.500	\$3.00
2	1		1001199	HEADREST LOCKING COLLAR	\$17.50
3	3		1001203	SCREW, SOCKET HEAD CAP, 10-32NF X 5/8	\$3.25
4	1		1001214	SCREW, SET, SOC HD CUP POINT #10-32 X 3/16	\$3.00
5	1		1001464	HANDLE 3-POINT 1/4-20 X 3/4 STEM BLACK	\$8.00
6	1		1005791	DUAL-MULTIAXIAL HEADREST VERT POST WELDMENT	\$52.00
	1		1007004	STANDARD DUAL- MULTIAXIAL HEADREST VERT POST WELDMENT	\$55.00
	1		1007005	+4" DUAL- MULTIAXIAL HEADREST VERT POST WELDMENT	\$72.00
	1		1007006	+6 " DUAL- MULTIAXIAL HEADREST VERT POST WELDMENT	\$65.00
7	1		1007001	BALL-JOINT, 1" DIA CURVED	\$35.00
8	1		1020988	HINGED CIRCULAR UPPER CLAMP	\$16.00
9	1		1032651	HINGED CIRCULAR LOWER CLAMP	\$20.00
10	1		1032847	FACE PLATE, BALL SOCKET CLAMP HEAVY	\$14.00
	1		1033159	KIT,DUAL-MULTIAXIAL HEADREST VERT POST WELDMENT	\$190.25
	1		1033160	KIT, DUAL-MULTIAXIAL VERTICAL, HEADREST WLDMNT-STD.	\$200.55
	1		1033161	KIT, DUAL-MULTIAXIAL VERTICAL, HEADREST WLDMNT +4"	\$210.85
	1		1033162	KIT, DUAL-MULTIAXIAL VERTICAL, HEADREST WLDMNT +6"	\$220.25

### NOTES:



# HEADREST INFINITE VERTICAL TUBE



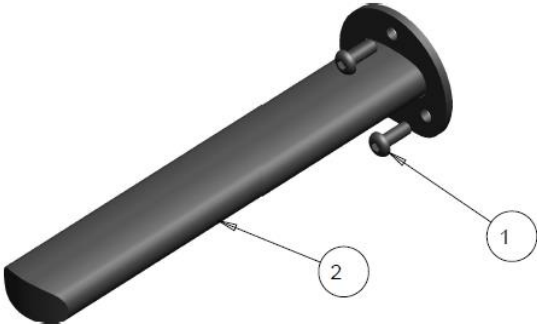
## HEADREST INFINITE VERTICAL TUBE TABLE

ITEM	QTY	NOTES	PART NO.	DESCRIPTION	PRICE/ PER UNIT
1	2		1000411	SCREW,SOC BUTTON HEAD 1/4-20 X 0.500	\$3.00
2	1		1001199	HEADREST LOCKING COLLAR	\$17.50
3	1		1001214	SCREW, SET, SOC HD CUP POINT #10-32 X 3/16	\$3.00
4	1		1001464	HANDLE 3-POINT 1/4-20 X 3/4 STEM BLACK	\$8.00
5	1		1005791	GEN DUAL-MULTIAXIAL HEADREST VERT POST WELDMENT	\$52.00
	1		1007005	MULTIAXIAL HEADREST CURVED VERT POST + 4 WELDMENT	\$72.00
	1		1020201	MULTIAXIAL HEADREST STRAIGHT VERT POST WELDMENT	\$47.00
6	1		1007001	BALL-JOINT, 1" DIA CURVED	\$35.00
7	1		1016938	SINGLE HANDLE MAIN HOUSING RT	\$57.00
8	1		1016939	SINGLE HANDLE MAIN HOUSING LT	\$57.00
	1		1016937	KIT, INFINITE CURVED POST STANDARD (ITEMS 1-8)	\$215.00
	1		1021428	KIT, INFINITE CURVED POST + 4" (ITEMS 1-8)	\$235.00
	1		1020999	KIT, INFINITE STRAIGHT POST (ITEMS 1-8)	\$210.00

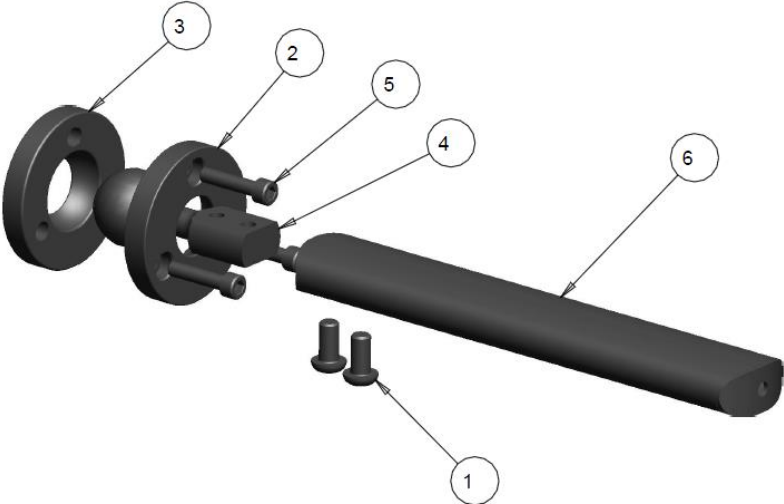
### NOTES:

**HEADREST HORIZONTAL TUBES**

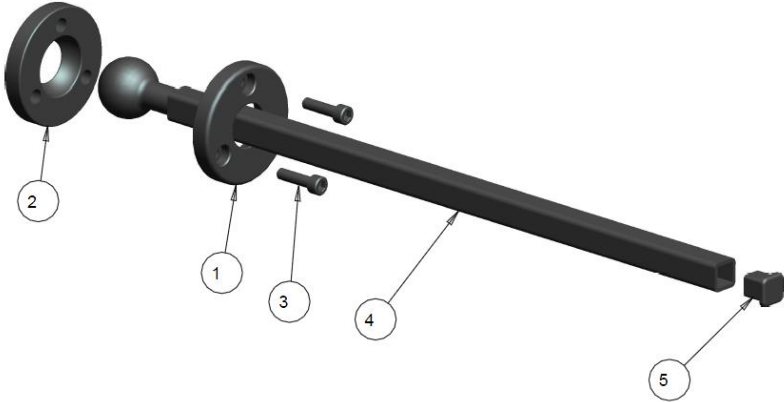
**HEADREST FIXED HORIZONTAL TUBE**



**HEADREST ARTICULATED HORIZONTAL TUBE**



**HEADREST INFINITE HORIZONTAL TUBE**



## HEADREST FIXED HORIZONTAL TUBE TABLE

ITEM	QTY	NOTES	PART NO.	DESCRIPTION	PRICE/ PER UNIT
1	2		1000411	SCREW,SOC BUTTON HEAD 1/4-20 X 0.500	\$3.00
2	1		1000790	HORIZONTAL FIXED HEADREST WELDMENT	\$49.00
	1		1003047	HORIZONTAL FIXED HEADREST WELDMENT +4	\$59.00
	1		1001208	KIT, HORIZONTAL FIXED HEADREST (ITEMS 1-2)	\$52.00
	1		1004365	KIT, HORIZONTAL FIXED HEADREST +4" (ITEMS 1-2)	\$62.00

### NOTES:

## HEADREST ARTICULATED HORIZONTAL TUBE TABLE

ITEM	QTY	NOTES	PART NO.	DESCRIPTION	PRICE/ PER UNIT
1	2		1000411	SCREW, SOC BUTTON HEAD 1/4-20 X 0.500	\$3.00
2	1		1001198	FACE PLATE, BALL SOCKET CLAMP	\$20.10
3	1		1001200	SPACER PLATE, BALL SOCKET CLAMP	\$26.32
4	1		1002533	BALL-JOINT, 1" DIA	\$28.00
5	3		1032587	SCREW, SOCKET HEAD CAP,10-32NFX 7/8	\$4.00
6	1		1001210	HORIZONTAL, BALL-JOINT TUBE, HEADREST WLDT STD	\$55.00
	1		1005113	HEADREST BALL-JOINT MOUNT WLDMT+2" LONGER	\$60.00
	1		1002675	HEADREST BALL-JOINT MOUNT WLDMT+3" LONGER	\$65.00
	1		1003980	HEADREST BALL-JOINT MOUNT WLDMT+4" LONGER	\$55.00
	1		1005108	HEADREST BALL-JOINT MOUNT WLDMT+6" LONGER	\$75.00
	1		1032294	HEADREST BALL-JOINT MOUNT WLDMT+7" LONGER	\$80.00
	1		1003427	KIT, HORIZONTAL, ARTICULATED, HEADREST ASS'Y 7" STD	\$90.00
	1		1005118	KIT, HORIZONTAL, ARTICULATED, HEADREST ASS'Y +2" LONGER	\$145.00
	1		1003665	KIT, HORIZONTAL, ARTICULATED, HEADREST ASS'Y +3" LONGER	\$155.00
	1		1003996	KIT, HORIZONTAL, ARTICULATED, HEADREST ASS'Y+ 4" LONGER	\$100.00
	1		1005120	KIT, HORIZONTAL, ARTICULATED, HEADREST ASS'Y+6" LONGER	\$175.00

### NOTES:

## HEADREST INFINITE HORIZONTAL TUBE TABLE

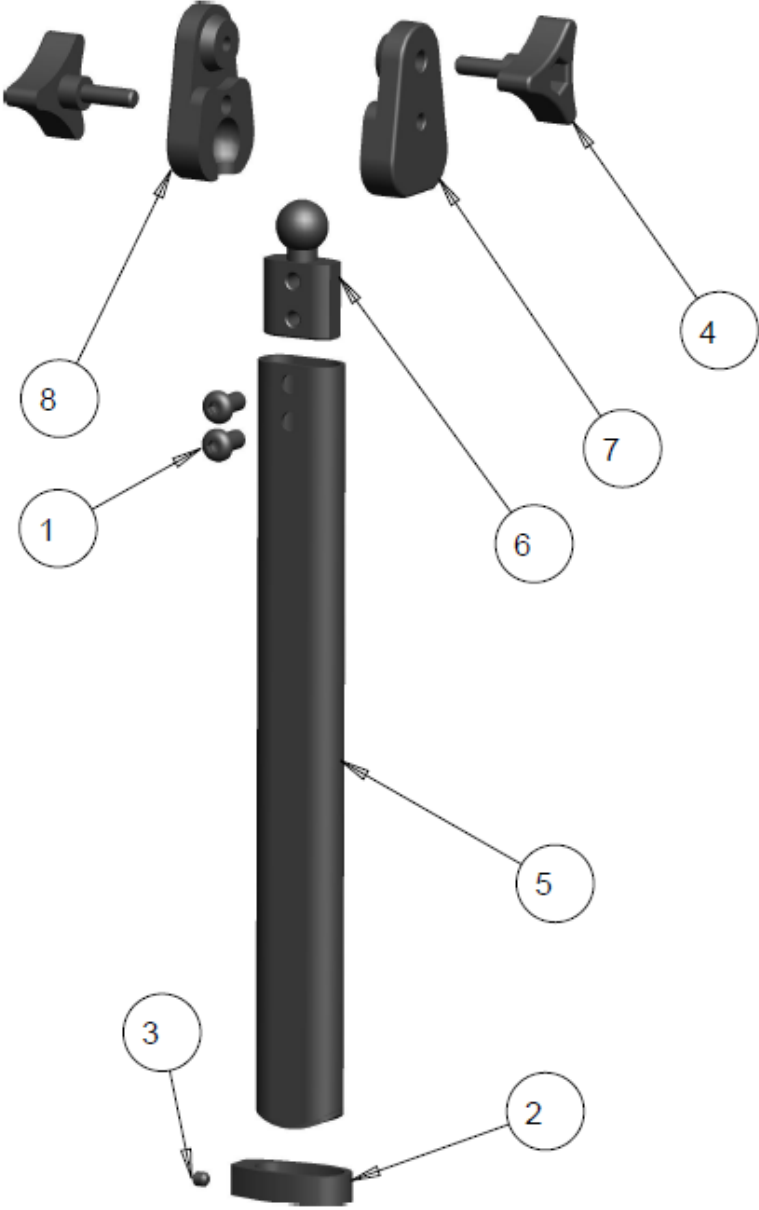
ITEM	QTY	NOTES	PART NO.	DESCRIPTION	PRICE/ PER UNIT
1	1		1001198	FACE PLATE, BALL SOCKET CLAMP	\$20.10
2	1		1001200	SPACER PLATE, BALL SOCKET CLAMP	\$26.32
3	3		1006241	SCREW, SOCKET HEAD CAP,10-32NFX 3/4	\$3.00
4	1		1016941	HORIZONTAL SQ TUBE WELDMENT (+4")	\$68.00
	1		1021420	HORIZONTAL SQ TUBE WELDMENT	\$63.00
5	1		1016945	SQUARE ENDPLUG 0.5 X 0.5	\$2.50
	1	A	1033163	KIT, HORIZONTAL HEADREST SQ TUBE (+4") (ITEMS 1-5)	\$121.75
	1	A	1034527	KIT, HORIZONTAL HEADREST SQ TUBE (ITEMS 1-5)	\$121.75

### NOTES:

**A- ONLY TO BE USED WITH INFINITE VERTICAL TUBE HARDWARE**

**LINKS HEADREST**

**LINKS HEADREST STRAIGHT VERTICAL TUBE**



## LINKS HEADREST STRAIGHT VERTICAL TUBE TABLE

ITEM	QTY	NOTES	PART NO.	DESCRIPTION	PRICE/ PER UNIT
1	2		1000411	SCREW,SOC BUTTON HEAD 1/4-20 X 0.500	\$3.00
2	1		1001199	HEADREST LOCKING COLLAR	\$17.50
3	1		1001214	SCREW, SET, SOC HD CUP POINT #10-32 X 3/16	\$3.00
4	2		1001464	HANDLE 3-POINT 1/4-20 X 3/4 STEM BLACK	\$8.00
5	1		1014048	VERTICAL OVAL TUBE LINKS WELD	\$44.00
6	1		1014268	BALL-JOINT, .687 DIA	\$32.00
7	1		1015362	BALL JOINT HANDLE MAIN HOUSING RT	\$58.00
8	1		1015363	BALL JOINT HANDLE MAIN HOUSING LT	\$58.00
	1		1034522	KIT, LINKS STRAIGHT POST (ITEMS 1-8)	\$196.00

### NOTES:

# LINKS HEADREST CURVED VERTICAL TUBE



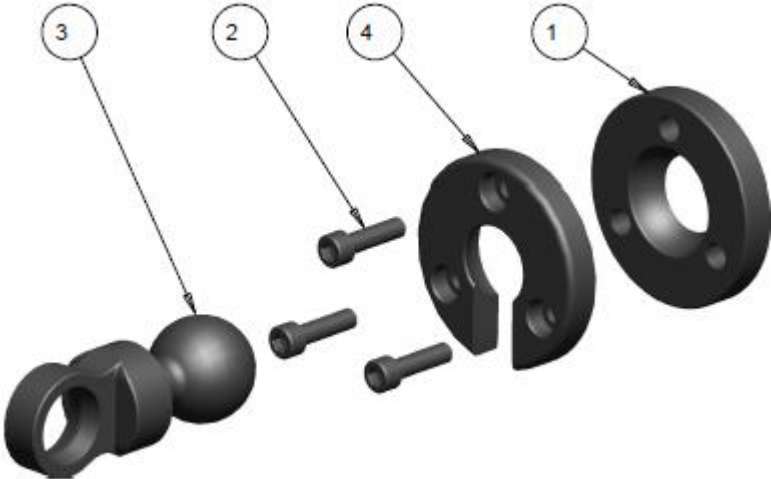
## LINKS HEADREST CURVED VERTICAL TUBE TABLE

ITEM	QTY	NOTES	PART NO.	DESCRIPTION	PRICE/ PER UNIT
1	1		1001199	HEADREST LOCKING COLLAR	\$17.50
2	1		1001214	SCREW, SET, SOC HD CUP POINT #10-32 X 3/16	\$3.00
3	2		1001381	SOC HD SCREW 1/4-20 X 1.00	\$3.00
4	2		1001464	HANDLE 3-POINT 1/4-20 X 3/4 STEM BLACK	\$8.00
5	1		1015362	BALL JOINT HANDLE MAIN HOUSING RT	\$58.00
6	1		1015363	BALL JOINT HANDLE MAIN HOUSING LT	\$58.00
7	1		1015445	CURVED VERTICAL OVAL TUBE COBRA	\$63.00
8	1		1015448	BALL-JOINT, .687 DIA (NOT THREADED)	\$32.00
	1		1034523	KIT, LINKS CURVED POST (ITEMS 1-8)	\$206.00

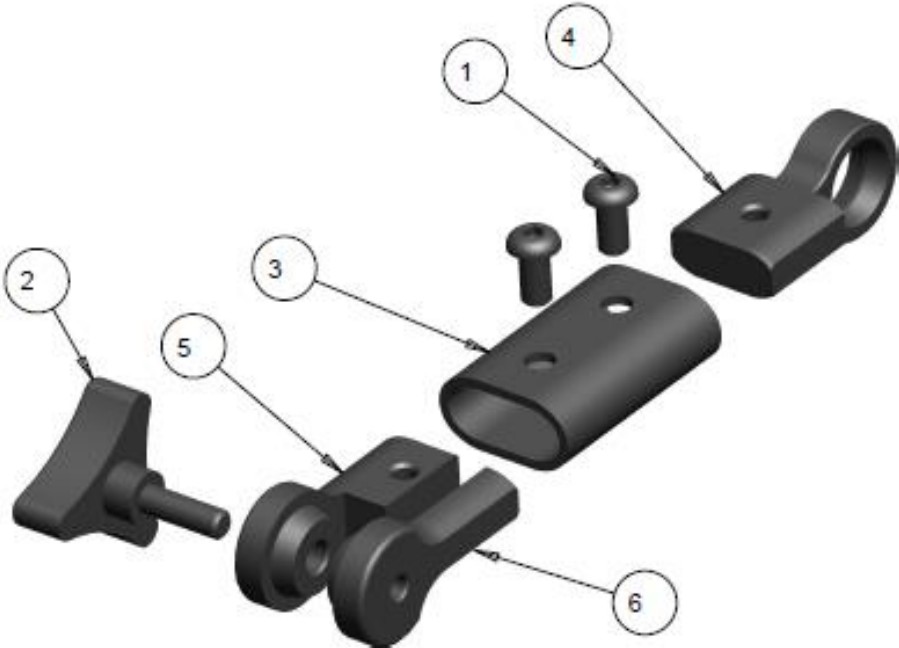
### NOTES:



**LINKS HEADREST BALL JOINT**



**LINKS HEADREST SINGLE LINK**



## LINKS HEADREST BALL JOINT TABLE

ITEM	QTY	NOTES	PART NO.	DESCRIPTION	PRICE/ PER UNIT
1	1		1001200	SPACER PLATE, BALL SOCKET CLAMP	\$26.32
2	3		1006241	SCREW, SOCKET HEAD CAP,10-32NFX 3/4	\$3.00
3	1		1014042	COBRA BALL JOINT MACHINED	\$25.00
4	1		1032845	FACE PLATE, BALL CLAMP - SLOTTED	\$14.00
	1		1014044	KIT, LINKS BALL JOINT (ITEMS 1-4)	\$44.00

### NOTES:

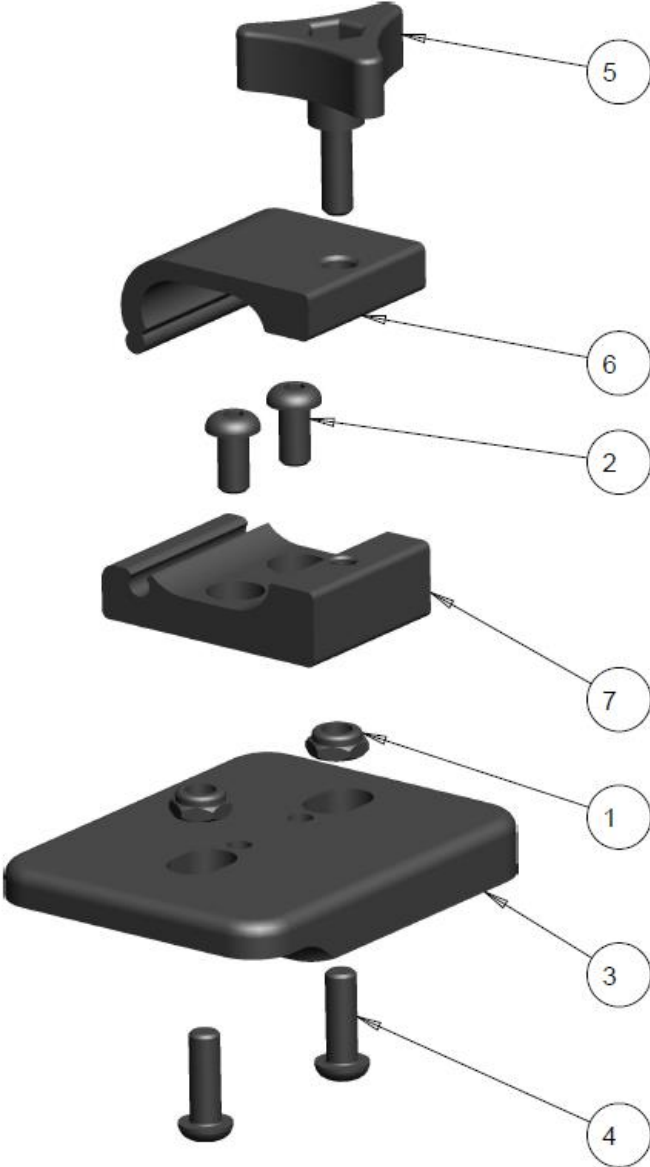
## LINKS HEADREST SINGLE LINK TABLE

ITEM	QTY	NOTES	PART NO.	DESCRIPTION	PRICE/ PER UNIT
1	2		1000411	SCREW,SOC BUTTON HEAD 1/4-20 X 0.500	\$3.00
2	1		1001464	HANDLE 3-POINT 1/4-20 X 3/4 STEM BLACK	\$8.00
3	1		1014032	MAIN OVAL TUBE HOUSING	\$16.00
4	1		1014033	RING STRAIGHT LINK MACHINED	\$18.00
5	1		1014034	CONE STRAIGHT LINK MAIN	\$14.00
6	1		1014035	CONE STRAIGHT LINK INSERT	\$10.00
	1		1014031	KIT, ADDITIONAL LINK SINGLE (ITEMS 1-6)	\$50.00

### NOTES:

**HEADREST BASE ADAPTER BRACKET**

**2-HOLE HEADREST BASE ADAPTER BRACKET**

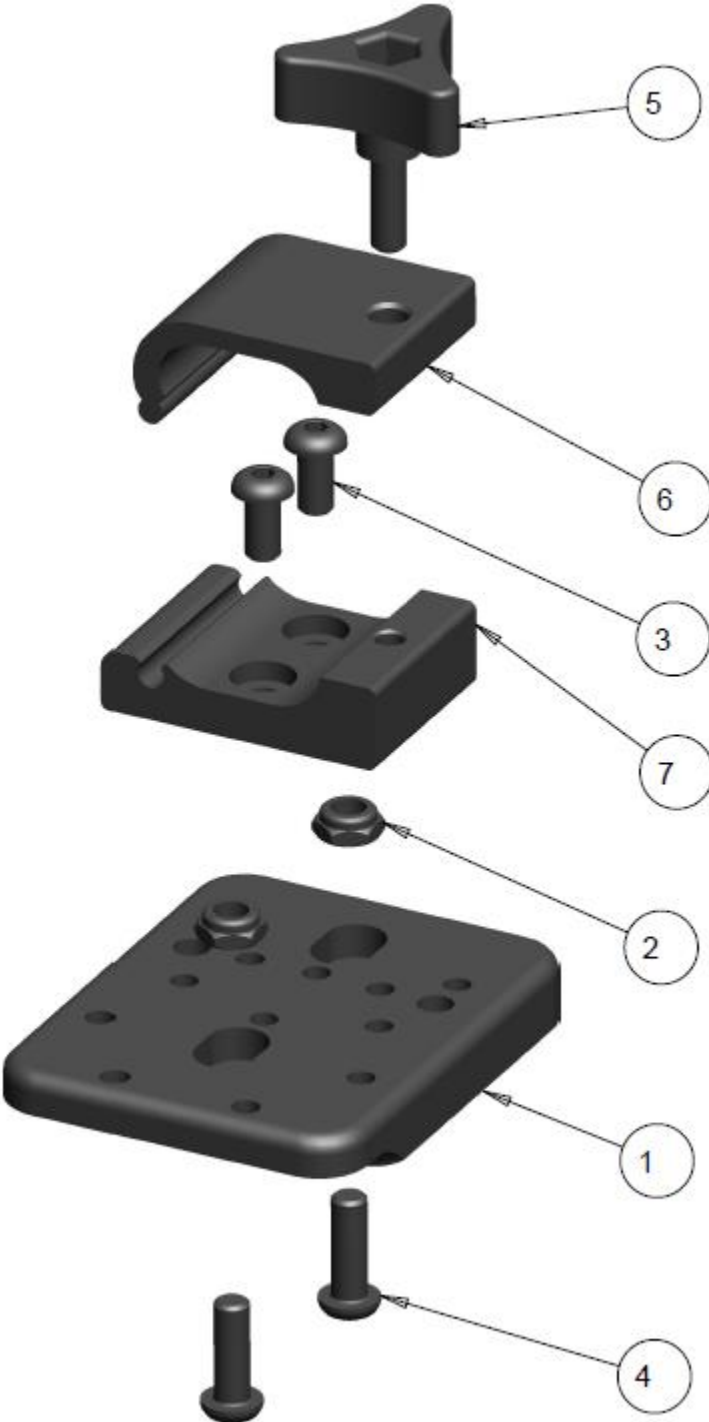


## 2-HOLE HEADREST BASE ADAPTOR BRACKET TABLE

ITEM	QTY	NOTES	PART NO.	DESCRIPTION	PRICE/ PER UNIT
1	2		1000397	NUT, HEX-NYLOCK THIN, 1/4-20NC	\$2.00
2	2		1000411	SCREW,SOC BUTTON HEAD 1/4-20 X 0.500	\$3.00
3	1		1001367	2-HOLE MOUNTING PLATE	\$50.00
4	2		1001391	SCREW, SOCKET HEAD BUTTON, 1/4-20NC X 3/4	\$3.00
5	1		1001464	HANDLE 3-POINT 1/4-20 X 3/4 STEM BLACK	\$8.00
6	1		1019474	OVAL UPPER CLAMP	\$16.00
7	1		1019475	OVAL TUBE LOWER CLAMP	\$20.00
	1		1034525	KIT, 2-HOLE HEADREST ADAPTER BRACKET (ITEMS 1-7)	\$105.00

### NOTES:

# UNIVERSAL HEADREST BASE ADAPTOR BRACKET



## UNIVERSAL HEADREST BASE ADAPTOR BRACKET TABLE

ITEM	QTY	NOTES	PART NO.	DESCRIPTION	PRICE/ PER UNIT
1	1		1000218	UNIVERSAL MOUNTING PLATE, HEADREST	\$61.00
2	2		1000397	NUT, HEX-NYLOCK THIN, 1/4-20NC	\$2.00
3	2		1000411	SCREW,SOC BUTTON HEAD 1/4-20 X 0.500	\$3.00
4	2		1001391	SCREW, SOCKET HEAD BUTTON, 1/4-20NC X 3/4	\$3.00
5	1		1001464	HANDLE 3-POINT 1/4-20 X 3/4 STEM BLACK	\$8.00
6	1		1019474	OVAL UPPER CLAMP	\$16.00
7	1		1019475	OVAL TUBE LOWER CLAMP	\$20.00
	1		1003995	KIT, UNIVERSAL HEADREST ADAPTOR BRACKET (ITEMS 1-7)	\$120.00

**NOTES:**