

# Future Mobility Products Lap Tray Kit

## Assembly, Installation and Operating Instructions

---

**NOTE:** Check all parts for shipping damages before using. In case of damage, do NOT use the equipment. Contact the Equipment Supplier for further instructions.

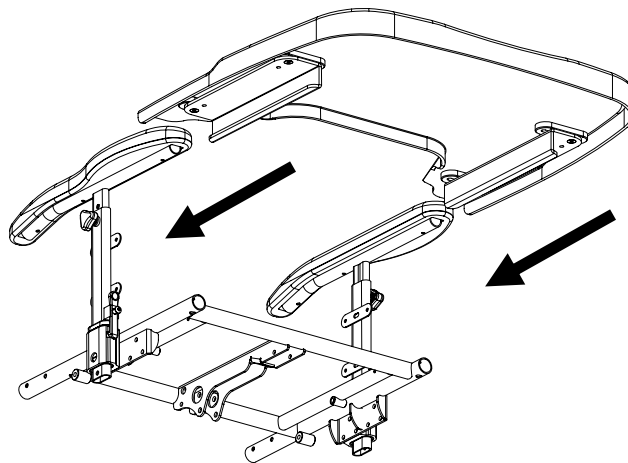
### WARNING

DO NOT install this equipment without first reading and understanding this instruction booklet. If you are unable to understand these instructions, contact a healthcare professional, dealer or technical personnel before attempting to install this equipment - otherwise, injury or damage may occur.

### NOTICE

Information contained within this document is subject to change without notice.

## MOUNTING THE TRAY



**Figure (1)**

### Instructions:

1. Loosen all screws and adjust bracket width position such that the tray will slide freely onto arm pads.
2. Carefully remove tray from chair and tighten screws
3. Slide tray back onto chair as shown in figure (1)

**Note:** - Figure (1) shows inside edge mounting style for brackets  
- Refer to figure (3) for Outside Edge mounting style (*spacer plate may be required for thin height arm pads*)

## Lap Tray Assembly – Inside edge Brackets

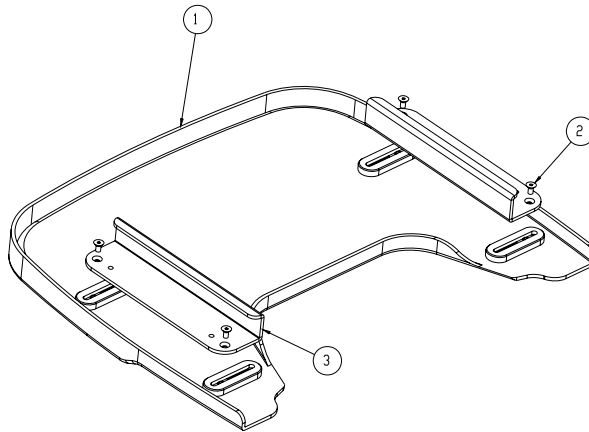


Figure (2)

ITEM NO.	QTY.	PART NO.	DESCRIPTION
1	1	1001841	LAP TRAY, MED, GLUED (GEN)
2	4	1001297	SCREW, FLAT HD SOC, 1/4-20 X 0.5, BLACK
3	2	1002349	INSIDE EDGE BRACKET MOUNT SLIDE, LAPTRAY

## Lap Tray Assembly – Outside edge Brackets

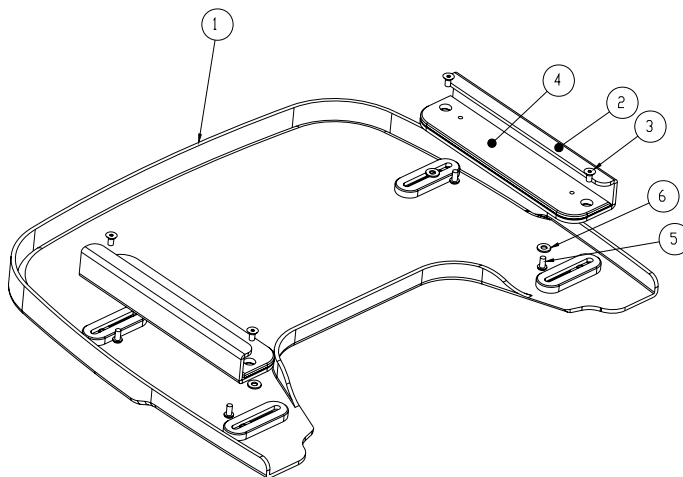


Figure (3)

ITEM NO.	QTY.	PART NO.	DESCRIPTION
1	1	1001841	LAP TRAY, MED, GLUED (GEN)
2	2	1001845	BRACKET MOUNT SLIDE, LAPTRAY
3	4	1001297	SCREW, FLAT HD SOC, 1/4-20 X 0.5, BLACK
4	2	1001846	SPACER PLATE, LAPTRAY SLIDE
5	4	1000411	SCREW, SOC HD BUTTON 1/4-20 X .50, BLACK
6	4	1000024	WASHER FLAT SAE 1/4, ID17/64 OD 5/8 X .062 BLK

## WARRANTY

This warranty is extended only to the original purchaser/user of our products.

Future Mobility Healthcare Inc. warrants this seating product to be free from defects in materials and workmanship for one (1) year on Lap Tray upon normal usage by original purchaser. If within this warranty period the product shall be proven to be defective, such product shall be repaired or replaced, at Future Mobility Healthcare Inc. discretion. Future Mobility Healthcare Inc. sole obligation and your exclusive remedy under this warranty shall be limited to the repair and/or replacement of the product or its parts. This warranty does not include any labour or shipping charges incurred in replacement part installation or repair of any product.

For warranty service, please contact the dealer from whom you purchased your Future Healthcare Inc. product. In the event you do not receive satisfactory warranty service, please write directly to Future Mobility Healthcare Inc. at 3223 Orlando Drive, Mississauga, Ontario, L4V 1C5. Provide the dealer's name, address, model number, date of purchase and indicate the nature of the defect.

DO NOT return products to Future Mobility Healthcare Inc. without our prior consent. The defective unit or parts must be returned for warranty inspection within thirty (30) days of the return authorization date. (Future Mobility Healthcare Inc. will issue a return authorization number). Please prepay all shipping charges; C.O.D. shipments will be refused.

**LIMITATIONS and EXCLUSIONS:** This warranty shall not apply to problems arising from normal wear or failure to adhere to the enclosed instructions. Products subjected to negligence, accident, improper usage, maintenance or storage; or products modified without Future Mobility Healthcare Inc. written consent including, but not limited to : modification through the use of any unauthorized parts or attachments; products damaged by reason or repairs made to any component without the specific consent of Future Mobility Healthcare Inc., or products repaired by anyone other than a Future Mobility Healthcare Inc. dealer. Such evaluation shall be determined by Future Mobility Healthcare Inc..

The foregoing warranty is exclusive and in lieu of all other expressed warranties. It shall not extend beyond the duration of the expressed warranty provided herein and the remedy for violations of any implied warranty shall be limited to repair or replacement of the defective product pursuant to the terms contained herein. Future Mobility Healthcare Inc. shall not be liable for any consequential or incidental damages whatsoever.

This warranty shall be extended to comply with all provincial laws and requirements.

3223 Orlando Drive  
 Mississauga ON L4V 1C5  
 Tel: 905-671-1661  
 Fax: 905-671-3377  
 e-mail: [customersupport@future-mobility.com](mailto:customersupport@future-mobility.com)  
[www.future-mobility.com](http://www.future-mobility.com)

**Future Mobility  
 Healthcare Inc.**