



Account Information		Order Date:	_____
Account #:	_____	P.O.#	_____
Business Name:	_____	Phone:	_____
Ship to Address:	_____	City:	_____
Fax:	_____	Province:	_____
Contact:	_____	Postal Code:	_____
		Tagged For:	_____

① FRAME TYPE

<input checked="" type="checkbox"/>	Superchair for kids - WMK5FM010	104	\$3,250
<input type="checkbox"/>	10"-13" Frame (crosst tubing) -----	104CT1	No Charge
<input type="checkbox"/>	13"-16" Frame (crosst tubing)-----	104CT2	No Charge

② FRAME FINISH

<input type="checkbox"/>	Black -----	104C01	No Charge
<input type="checkbox"/>	Blue -----	104C03	No Charge
<input type="checkbox"/>	Burgundy -----	104C11	No Charge
<input type="checkbox"/>	Orange -----	104C05	No Charge
<input type="checkbox"/>	Yellow -----	104C08	No Charge
<input type="checkbox"/>	Red -----	104C07	No Charge
<input type="checkbox"/>	Silver -----	104C02	No Charge
<input type="checkbox"/>	Custom Colours -----	104C17	\$150

③ SEAT WIDTH

<input type="checkbox"/>	10" Seat Width -----	104SW10	No Charge
<input type="checkbox"/>	11" Seat Width -----	104SW11	No Charge
<input type="checkbox"/>	12" Seat Width -----	104SW12	No Charge
<input type="checkbox"/>	13" Seat Width -----	104SW13	No Charge
<input type="checkbox"/>	14" Seat Width -----	104SW14	No Charge
<input type="checkbox"/>	15" Seat Width -----	104SW15	No Charge
<input type="checkbox"/>	16" Seat Width -----	104SW16	No Charge

④ SEAT DEPTH

<input type="checkbox"/>	11" Seat Depth -----	104SD11	No Charge
<input type="checkbox"/>	12" Seat Depth -----	104SD12	No Charge
<input type="checkbox"/>	13" Seat Depth -----	104SD13	No Charge
<input type="checkbox"/>	14" Seat Depth -----	104SD14	No Charge
<input type="checkbox"/>	15" Seat Depth -----	104SD15	No Charge
<input type="checkbox"/>	16" Seat Depth -----	104SD16	No Charge

Standard Chair Includes:

Rigid Tilting Frame w/Swingaway Front End
Round Heavy duty Cross brace Tubing
Seat Width 10"-16"
Seat Depth 11"-16"
Seat to Floor Height Front 17.50"-20"
Seat to Floor Height Rear 15.75"-18.5"
Rear Wheel Options 12", 20" or 22")
Handrim Option Stainless Steel
Caster Options 4", 5", 7" or 8"
Adjustable Height Full Length Arm (vinyl pad) T-Style
Super Chair Kids Cushion
Super Chair Kids Back
Angle Adjustable 10 deg Bend Cane w/Push bar - High
Aluminum Flip-Up Footplate
Heel Loops
Wheel Locks (Push or Pull to Lock)
Side Storage Pocket
Padded Headrest (Kids or Small)
Choice of Seven Colours (Black, Blue, Burgundy, Orange, Yellow, Red or Silver)



SUPERCHAIR FOR KIDS FRONT STF HEIGHT AVAILABILITY									
REAR WHEEL		4" CASTER							
12"									
20"	17.5"	18"							
22"									
REAR WHEEL		5" CASTER							
12"			18.5"						
20"									
22"			18.5"						
REAR WHEEL		7" CASTER							
12"				19"	19.5"				
20"									
22"				19"	19.5"				
REAR WHEEL		8" CASTER							
12"								20"	
22"							19.75"		

FOOTNOTES:
A. Seat angle is set at 3 degrees. See service manual for details

⑤ SEAT-TO-FLOOR HEIGHT - front - 20", 22" Rear Wheels

- 17.5" Seat to Floor (20" Wheels and 4" Casters) 104STF62 No Charge
- 18" Seat to Floor (20" Wheels and 4" Casters) 104STF63 No Charge
- 18.5" Seat to Floor (22" Wheels and 5" Casters) 104STF64 No Charge
- 19" Seat to Floor (22" Wheels and 7" Casters) 104STF60 No Charge
- 19.5" Seat to Floor (22" Wheels and 7" Casters) 104STF61 No Charge
- 19.75" Seat to Floor (22" Wheels and 8" Casters) 104STF65 No Charge
- 18.5" Seat to Floor (12" Wheels and 5" Casters) 104STF66 No Charge
- 19" Seat to Floor (12" Wheels and 7" Casters) 104STF67 No Charge
- 19.5" Seat to Floor (12" Wheels and 7" Casters) 104STF68 No Charge
- 20" Seat to Floor (12" Wheels and 8" Casters) 104STF69 No Charge

⑥ REAR WHEEL RIM

- Mag Wheels ----- 104RW09 No Charge
- Spoke Wheels ----- 104RW10 \$75

⑧ REAR WHEEL TIRE

- Airless (Solid Rubber) ----- 104RT1 Standard
- Pneumatic ----- 104RT2 \$60

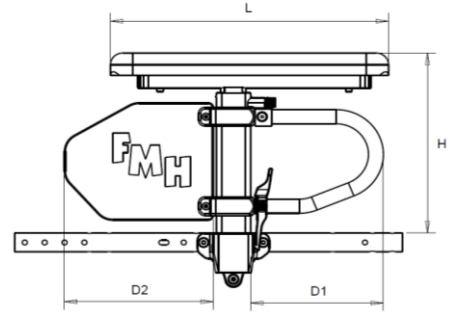
⑦ HANDRIM OPTIONS

- Chrome ----- 104HR1 Standard
- Plastic Coated ----- 104HR2 \$160
- Omit Handrims ----- 104HR3 less net \$15

⑧ ARM TYPE

- T-Style Adjustable Height Pin Release - Youth ----- 104AR05 Standard
- T-Style Adjustable Height Pin Release - Adult ----- 104AR06 \$300
- Cantilever Arm Adj. Angle ----- 104AR11 \$225
- Cantilever Arm Adj. Angle with Guard ----- 104AR12 \$325

Armrest Matrix for T-Style Pin Release Arm						
Armrest Style	Transfer Tube Length D1	Arm Guard Length D2	H Range	Arm Pad Length L		
				Desk	Full	Curved
Adult	6.75"	7.50"	9.50" - 14.50"	10.25"	14.0"	17.0"
Youth	4.50"	5.0"	8.75" - 13.75"			



⑨ ARM PAD

- Desk length Vinyl 10" (pair)----- 104AP1 No Charge
- Full length Vinyl 14" (pair)----- 104AP2 No Charge
- Contour Gel 17" (pair)----- 104AP3 Standard

⑩ BACK TYPE

- Angle Adj 10 deg Bend Cane w/Push bar (low)----- 104SP3 No Charge
- Angle Adj 10 deg Bend Cane w/Push bar (high)----- 104SP4 Standard
- Angle Adj 10 deg Bend Cane w/o Push bar (low)----- 104PC3 No Charge
- Angle Adj 10 deg Bend Cane w/o Push bar (high)----- 104PC4 No Charge

⑪ BACK OPTIONS

- Super Chair Kids Back Stock ----- 104BK75 Standard
- Super Chair Kids Back Non Stock ----- 104BK76 No Charge
- Super Chair Kids Back Custom ----- 104BK77 \$825
- Slip on Padded Back Upholstery----- 104BK48 No Charge
- Omit Back ----- 104BK49 No Charge

Specify Back Size Height: 10" __ 12" __ 14" __ 16" __

For other Backs, please fill in the required Backs Order Form and attach it to this order. [Click here to see all Backs](#)

⑫ BACK PINS (Prism Backs only)

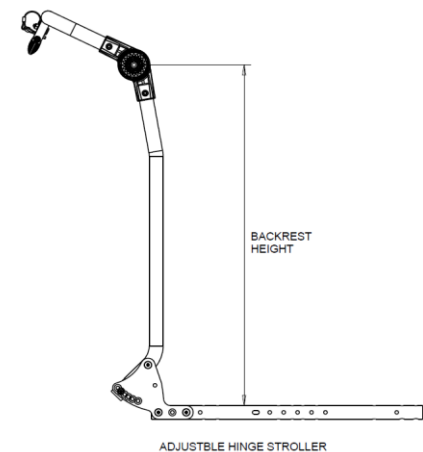
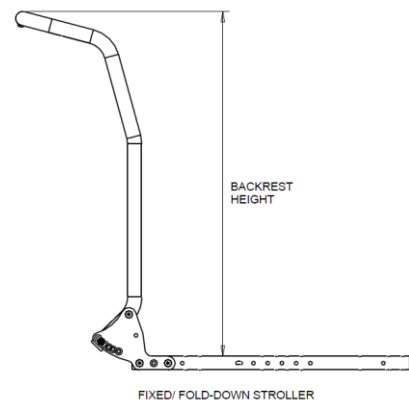
- Longer Pins for Back Hardware 1" Growth ----- 104BP1 \$50
- Longer Pins for Back Hardware 2" Growth ----- 104BP2 \$50

⑬ SEAT OPTIONS

- Seat Pan----- 104SE1 Standard
- Super Chair Kids Cushion Stock----- CSK Standard
- Super Chair Kids Cushion Non Stock----- CNK No Charge
- Super Chair Kids Cushion Custom----- CCMK \$685
- Prism Ideal Cushion - Stock Sizes ----- 104SC01 No Charge
- Prism Ideal Cushion - Non-Stock Sizes ----- 104SC02 No Charge
- Prism Ideal Cushion Custom on chair----- 104SC03 No Charge
- Omit Cushion ----- 104SC20 No Charge

Standard Size Cushion Depth: 10", 12", 14" and 16"

For other Cushions, please fill in the required Cushions Order Form and attach it to this order. [Click here to see all Cushions](#)



(14) FRONT RIGGING

C	<input type="checkbox"/>	70 Degree Swingaway Upgraded-----	104FR04	No Charge
D	<input type="checkbox"/>	80 Degree Swingaway Upgraded-----	104FR19	\$215
E	<input type="checkbox"/>	90 Degree Swingaway Upgraded-----	104FR05	\$230
	<input type="checkbox"/>	Elevating Legrest with Swingaway Upgraded-----	104FR10	\$550
	<input type="checkbox"/>	Omit Front Rigging-----	104FR11	less net \$20

(15) FOOTPLATE TYPE

<input type="checkbox"/>	Super Chair Kids Aluminum Flip-Up Footplate Small----	104FP13	Standard
<input type="checkbox"/>	Super Chair Kids Aluminum Flip-Up Footplate Medium--	104FP14	No Charge
<input type="checkbox"/>	Super Chair Kids Aluminum Flip-Up Footplate Large----	104FP15	No Charge
<input type="checkbox"/>	Composite Flip-Up Footplate Small-----	104FP01	No Charge
<input type="checkbox"/>	Aluminum Flip-Up Footplate Medium-----	104FP06	No Charge
<input type="checkbox"/>	Aluminum Adjustable Angle Flip-Up Footplate Small----	104FP10	\$120

(16) FOOTREST/LEGREST ACCESSORIES

<input type="checkbox"/>	Padded Calf Strap-----	104FA03	\$70
<input type="checkbox"/>	Foam Pad on Footplate (pair)-----	104FA07	\$70
<input type="checkbox"/>	Heel Loops-----	104FA01	Standard
<input type="checkbox"/>	Omit Heel Loops-----	104FA02	less net \$7

(17) WHEEL LOCKS

<input type="checkbox"/>	Push-to-Lock Wheel Lock-----	104WL1	Standard
<input type="checkbox"/>	Pull-to-Lock Wheel Lock-----	104WL2	No Charge
<input type="checkbox"/>	Wheel Lock Extension-----	104WL4	No Charge

(18) HEADREST HARDWARE OPTIONS

	<input type="checkbox"/>	Fixed Headrest Hardware -----	104HE01	Standard
	<input type="checkbox"/>	Single Multi-Axial Headrest Hardware -----	104HE03	\$158
F.G	<input type="checkbox"/>	Dual Multi-Axial Headrest hardware -----	104HE05	\$195
	<input type="checkbox"/>	Fixed Headrest Hardware Ass'y (+ 4")-----	104HE02	\$20
	<input type="checkbox"/>	Single Multi-Axial Headrest Hardware (+4") -----	104HE04	\$183
	<input type="checkbox"/>	Dual Multi-Axial Headrest hardware (+ 4") -----	104HE06	\$220
	<input type="checkbox"/>	Links Multi Adjustable Headrest -----	104HE10	\$200
	<input type="checkbox"/>	Links Multi Adjustable Curved Headrest -----	104HE11	\$240
	<input type="checkbox"/>	Additional Link for Headrest -----	104HE12	\$50
	<input type="checkbox"/>	2 Additional Links for Headrest -----	104HE13	\$100
	<input type="checkbox"/>	3 Additional Links for Headrest -----	104HE14	\$150
	<input type="checkbox"/>	UHRBA -----	104HEBA	\$61

(19) HEADREST FOAM PAD OPTIONS

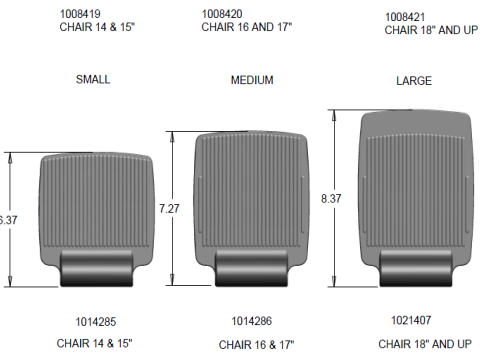
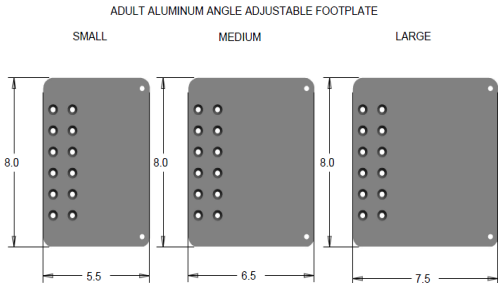
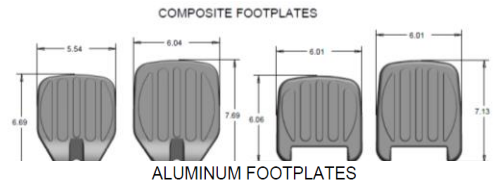
<input type="checkbox"/>	Kids Headrest Foam Pad-----	104HF5	Standard
<input type="checkbox"/>	Small Headrest Foam Pad -----	104HF1	No Charge
<input type="checkbox"/>	Small Headrest with Wings Foam Pad -----	104HF2	\$90
<input type="checkbox"/>	Medium Headrest Foam Pad -----	104HF7	No Charge
<input type="checkbox"/>	Medium Headrest with Wings Foam Pad -----	104HF8	\$90
<input type="checkbox"/>	Large Headrest Foam Pad -----	104HF3	No Charge
<input type="checkbox"/>	Large Headrest with Wings Foam Pad -----	104HF4	\$95
<input type="checkbox"/>	Omit Headrest -----	104HE09	less net \$10

(20) ANTI TIP

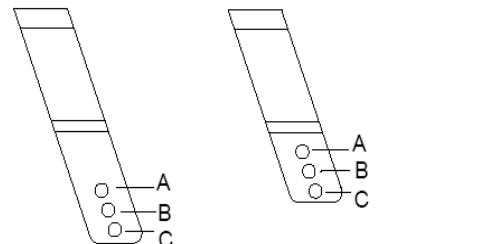
<input type="checkbox"/>	Fixed Anti-Tipper -----	104MA22	No Charge
--------------------------	-------------------------	---------	-----------

(21) MISCELLANEOUS ACCESSORIES

<input type="checkbox"/>	Auto-Seat Positioning Straps-----	104MA03	\$52
<input type="checkbox"/>	Velcro Release Positioning Strap-----	104MA05	\$48
<input type="checkbox"/>	4 Point Harness-----	104MA56	\$95
<input type="checkbox"/>	Quick Release Axles-----	104AL1	\$110
<input type="checkbox"/>	Front and Rear Transit Hook Assembly-----	104MA30	Standard
<input type="checkbox"/>	Padded Lap Tray-----	104MA09	\$285
<input type="checkbox"/>	Half Padded Lap Tray, Left-----	104MA14	\$145
<input type="checkbox"/>	Half Padded Lap Tray, Right-----	104MA15	\$145



FOOTNOTES:
 B. Super Chair Kids Aluminum Footplate available for chairs 10"W to 16" W
 C. Composite Flip-Up Footplates available for chairs 14" to 16" W
 D. Aluminum Flip-Up Footplates available for chairs 12" to 16" W
 E. Aluminum Angle Adj. Flip-Up Footplates available for chairs 15"W to 16"W
 F. Kids Headrest Foam Pad available for chairs 10"W to 14"W
 G. Small Headrest Foam Pad available for chairs 15"W & 16"W



TO FLOOR HEIGHT

STF FRONT	REAR WHEEL	CASTER SIZE	FORK SIZE	FORK HOLE	AXLE PLATE HOLE	STF REAR
(inches)	(inches)	(inches)				(inches)
18.50	12	4	LG	C	A	17.25
18.50	12	5	LG	B	A	17.25
19.00	12	7	SML	C	A	17.50
19.50	12	7	LG	B	B	18.25
20.00	12	8	LG	B	B	18.50
17.50	20	4	SML	C	A	15.75
18.00	20	5	SML	C	A	15.75
18.50	22	5	LG	B	A	16.75
19.00	20	7	SML	C	B	17.00
19.50	22	7	LG	B	B	18.00
20.00	22	7	LG	C	B	18.00

