



Account Information:

Account #: _____ Order Date: _____
 Business Name: _____ P.O.# _____
 Ship to Address: _____ Phone: _____
 Fax: _____ City: _____
 Contact: _____ Province: _____ Postal Code: _____
 TAG FOR: _____

① FRAME TYPE

Stellato II Folding Chair WM0001188----- 113 \$1,350

- ② FRAME FINISH**
- Black----- 113C01 No Charge
 Silver----- 113C02 No Charge
- Custom Colours**
- Blue----- 113C03 \$150
 Green----- 113C04 \$150
 Orange----- 113C05 \$150
 Purple----- 113C06 \$150
 Red----- 113C07 \$150
 Yellow----- 113C08 \$150
 Custom Colour----- 113C17 \$150

Technical Specs:

Seat Width (14"-20")
 Seat Depth (15"-20")
 Seat-To-Floor Height (13"-20")
 Rear Wheel Options (20", 22" or 24")
 Caster Options (4", 5", 6", or 8")
 Chair Width = Seat Width + 8"
 Weight Capacity: 275 lbs



- ③ SEAT WIDTH**
- 14" Seat Width----- 113SW14 No Charge
 15" Seat Width----- 113SW15 \$125
 16" Seat Width----- 113SW16 No Charge
 17" Seat Width----- 113SW17 \$125
 18" Seat Width----- 113SW18 No Charge
 19" Seat Width----- 113SW19 \$125
 20" Seat Width----- 113SW20 No Charge

- ④ SEAT DEPTH**
- 15" Seat Depth----- 113SD15 \$125
 15" Seat Depth not available with (24"+8" combo)(22"+8" combo)(24"+6" combo) in active position.
 16" Seat Depth----- 113SD16 No Charge
 16" Seat Depth not available with (24"+8" combo) in active position.
 17" Seat Depth----- 113SD17 \$125
 18" Seat Depth----- 113SD18 No Charge
 19" Seat Depth----- 113SD19 \$125
 20" Seat Depth----- 113SD20 No Charge

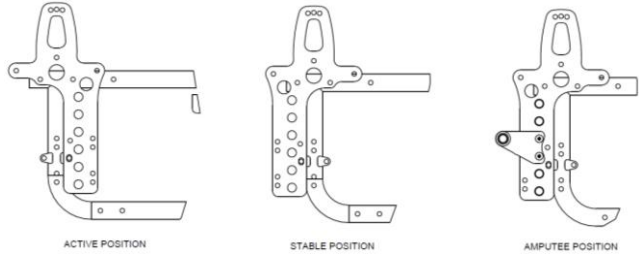
STELLATO II FRONT STF HEIGHT CHART

FSTF	20" WHEEL				22" WHEEL				24" WHEEL			
	4	5	6	8	4	5	6	8	4	5	6	8
13"	x											
14"		x										
15"			x									
16"		x	x			x	x			x	x	
17"		x	x			x	x			x	x	
18"		x	x	x		x	x	x		x	x	x
19"						x	x			x	x	
20"												x

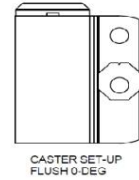
FLUSH SEAT SLOPE ONLY
 FLUSH AND 1" SEAT SLOPE
 FLUSH, 1" AND 2" SEAT SLOPE

- ⑤ REAR AXLE POSITION**
- Active (In front of back cane) ----- 113RA01 No Charge
 Stable (Behind back cane) ----- 113RA02 No Charge
 Amputee Rear Axle Position ----- 113RA03 \$110

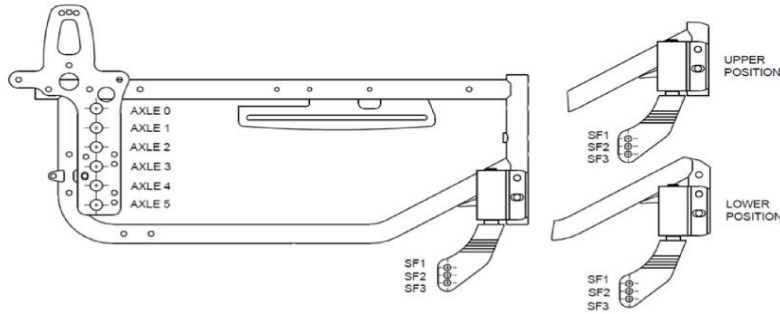
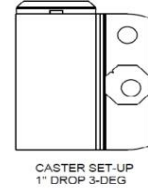
Extension bracket required for 20" and 22" rear wheel when using amputee mount option.



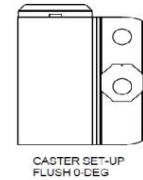
STELLATO II STF HEIGHT AVAILABILITY - SHORT FORK										
Flush Seat Slope		Wheel Size and Axle Position			Fork Position & Caster Wheel Size					
Front STF	Rear STF	20"	22"	24"	Fork UPPER Position		Fork LOWER Position			
13" FSTF	13" RSTF	Axle 0			Pos SF2	5"	4"	5"		
14" FSTF	14" RSTF	Axle 1				Pos SF3				
15" FSTF	15" RSTF	Axle 2	Axle 1						Pos SF3	



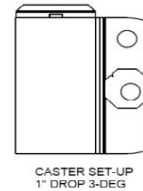
STELLATO II STF HEIGHT AVAILABILITY - SHORT FORK										
1" Drop Seat Slope		Wheel Size and Axle Position			Fork Position & Caster Wheel Size					
Front STF	Rear STF	20"	22"	24"	Fork UPPER Position		Fork LOWER Position			
14" FSTF	13" RSTF	Axle 0			4"	5"	4"	5"		
15" FSTF	14" RSTF	Axle 1				Pos SF3				Pos SF3



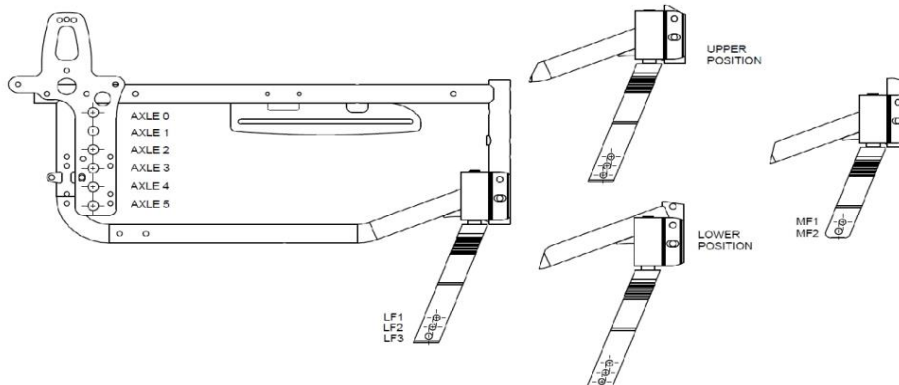
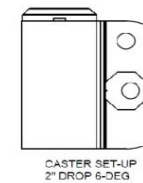
STELLATO II STF HEIGHT AVAILABILITY - LONG/ MEDIUM FORK											
Flush Seat Slope		Wheel Size and Axle Position			Fork Position & Caster Wheel Size						
Front STF	Rear STF	20"	22"	24"	Caster Fork in UPPER Position			Caster Fork in LOWER Position			
16" FSTF	16" RSTF	Axle 3	Axle 2	Axle 1	Pos MF2	5"	6"	8"	5"	6"	8"
17" FSTF	17" RSTF	Axle 4	Axle 3	Axle 2	Pos LF2	Pos LF1		Pos MF2	Pos MF1		
18" FSTF	18" RSTF	Axle 5	Axle 4	Axle 3		Pos LF3	Pos LF1	Pos LF2	Pos LF1		
19" FSTF	19" RSTF		Axle 5	Axle 4			Pos LF3	Pos LF3	Pos LF3	Pos LF1	
20" FSTF	20" RSTF			Axle 5						Pos LF3	



STELLATO II STF HEIGHT AVAILABILITY - LONG/ MEDIUM FORK											
1" Drop Seat Slope		Wheel Size and Axle Position			Fork Position & Caster Wheel Size						
Front STF	Rear STF	20"	22"	24"	Caster Fork in UPPER Position			Caster Fork in LOWER Position			
16" FSTF	15" RSTF	Axle 2	Axle 1		Pos MF2	5"	6"	8"	5"	6"	8"
17" FSTF	16" RSTF	Axle 3	Axle 2	Axle 1	Pos LF2	Pos LF1		Pos MF2	Pos MF1		
18" FSTF	17" RSTF	Axle 4	Axle 3	Axle 2		Pos LF3	Pos LF1	Pos LF2	Pos LF1		
19" FSTF	18" RSTF	Axle 5	Axle 4	Axle 3			Pos LF3	Pos LF3	Pos LF3	Pos LF1	
20" FSTF	19" RSTF		Axle 5	Axle 4						Pos LF3	



STELLATO II STF HEIGHT AVAILABILITY - LONG/ MEDIUM FORK											
2" Drop Seat Slope		Wheel Size and Axle Position			Fork Position & Caster Wheel Size						
Front STF	Rear STF	20"	22"	24"	Caster Fork in UPPER Position			Caster Fork in LOWER Position			
16" FSTF	14" RSTF	Axle 1			Pos MF2	5"	6"	8"	5"	6"	8"
17" FSTF	15" RSTF	Axle 2	Axle 1		Pos LF2	Pos LF1		Pos MF2	Pos MF1		
18" FSTF	16" RSTF	Axle 3	Axle 2	Axle 1		Pos LF3	Pos LF1	Pos LF2	Pos LF1		
19" FSTF	17" RSTF	Axle 4	Axle 3	Axle 2			Pos LF3	Pos LF3	Pos LF3	Pos LF1	
20" FSTF	18" RSTF	Axle 5	Axle 4	Axle 3						Pos LF3	



⑥ SEAT-TO-FLOOR HEIGHT (Choose desired front seat to floor height)

<input type="checkbox"/>	13" Seat to Floor -----	113SF02	No Charge
<input type="checkbox"/>	14" Seat to Floor -----	113SF04	No Charge
<input type="checkbox"/>	15" Seat to Floor -----	113SF06	No Charge
<input type="checkbox"/>	16" Seat to Floor -----	113SF08	No Charge
<input type="checkbox"/>	17" Seat to Floor -----	113SF10	No Charge
<input type="checkbox"/>	18" Seat to Floor -----	113SF12	No Charge
<input type="checkbox"/>	19" Seat to Floor -----	113SF14	No Charge
<input type="checkbox"/>	20" Seat to Floor -----	113SF16	No Charge

⑦ SEAT SLOPE (See Chart)

<input type="checkbox"/>	Flush Seat Slope -----	113SS01	No Charge
<input type="checkbox"/>	1" Drop Seat Slope -----	113SS02	No Charge
<input type="checkbox"/>	2" Drop Seat Slope -----	113SS03	No Charge

⑧ CASTER OPTIONS (See Chart)

<input type="checkbox"/>	4" x 1" Urethane Caster Wheel -----	113CW13	No Charge
<input type="checkbox"/>	5" x 1.25" Urethane Caster Wheel -----	113CW02	No Charge
<input type="checkbox"/>	6" x 1.25" Urethane Caster Wheel -----	113CW04	No Charge
<input type="checkbox"/>	8" x 1.25" Urethane Caster Wheel -----	113CW07	No Charge

⑨ REAR WHEEL OPTIONS (See Chart)

<input type="checkbox"/>	20" Rear Wheel - Composite -----	113RW03	No Charge
<input type="checkbox"/>	22" Rear Wheel - Composite -----	113RW04	No Charge
<input type="checkbox"/>	24" Rear Wheel - Composite -----	113RW05	No Charge
<i>24" Wheel in axle position (#0, #1) not available with Fixed Flip Back Arm</i>			
<i>24" Wheel in axle position (#0, #1) requires fixed bolt option on Height Adjustable Arm.</i>			
<input type="checkbox"/>	20" Rear Wheel - Spoke -----	113RW06	\$255
<input type="checkbox"/>	22" Rear Wheel - Spoke -----	113RW07	\$255
<input type="checkbox"/>	24" Rear Wheel - Spoke -----	113RW08	\$255
<i>24" Wheel in axle position (#0, #1) not available with Fixed Flip Back Arm</i>			
<i>24" Wheel in axle position (#0, #1) requires fixed bolt option on Height Adjustable Arm.</i>			
<input type="checkbox"/>	Spoke Guards -----	113SG1	\$130

⑩ REAR WHEEL TIRE

<input type="checkbox"/>	Airless (Solid Rubber) -----	113RT1	Standard
<input type="checkbox"/>	Pneumatic -----	113RT2	No Charge

⑪ HANDRIM OPTIONS

<input type="checkbox"/>	Chrome -----	113HR1	Standard
<input type="checkbox"/>	Plastic Coated -----	113HR2	\$110
<input type="checkbox"/>	Omit Handrims -----	113HR3	No Charge

⑫ REAR AXLES

<input type="checkbox"/>	Fixed Bolt Axle -----	113AL1	No Charge
<input type="checkbox"/>	Quick Release Axle -----	113AL3	\$110

⑬ ARM TYPE

<input type="checkbox"/>	Fixed Flip Back Vinyl Desk Length (Wrap Around) -----	113AR30	\$260
<input type="checkbox"/>	Fixed Flip Back Vinyl Full Length (Wrap Around) -----	113AR35	\$260
<input type="checkbox"/>	Fixed Flip Back Gel Full Length (Wrap Around) -----	113AR36	\$270
<input type="checkbox"/>	Height Adjustable Flip Back Gel Full Length (Wrap Around) -----	113AR37	\$300
<input type="checkbox"/>	Height Adjustable Flip Back Vinyl Full Length (Wrap Around) -----	113AR38	\$285
<input type="checkbox"/>	Replace Adjustable knob with Fixed Bolt -----	113AR39	No Charge

Only applies to Height Adjustable Flip Back Arm.

⑭ BACK TYPE

<input type="checkbox"/>	Angle Adj 10 deg Bend w/Push Handle (low) -----	113PC3	Standard
<input type="checkbox"/>	Angle Adj 10 deg Bend w/Push Handle (high) -----	113PC4	\$90
<input type="checkbox"/>	Seat to Back Angle set at: -7° ___ 0° ___ +7° ___ (Forward)	113STB01	\$90



15 BACK OPTIONS

<input type="checkbox"/>	Slip-on Padded Back Upholstery-----	113BK48	Standard
<input type="checkbox"/>	Adjustable Tension Back -----	113BK45	\$150
<input type="checkbox"/>	Prism Basic Back -----	113BK01	\$150
<input type="checkbox"/>	Prism Ultra Back -----	113BK06	\$250
<input type="checkbox"/>	Prism Air Back -----	113BK11	\$400
<input type="checkbox"/>	Prism TrueFitt Back -----	113BK16	\$650
<input type="checkbox"/>	Prism Max Ultra Back -----	113BK21	\$300
<input type="checkbox"/>	Prism Max Air Back -----	113BK26	\$450
<input type="checkbox"/>	Prism Max TrueFitt Back -----	113BK31	\$700
<input type="checkbox"/>	Lunar Back Mid Basic Lateral on chair -----	113BK39	\$550
<input type="checkbox"/>	Omit Back -----	113BK49	No Charge

Specify Back Size Height: 16" 18" 20"

For other Backs, please fill in the required Backs Order Form and attach it to this order. [Click here to see all Backs](#)

16 BACK PINS (Prism Backs only)

<input type="checkbox"/>	Longer Pins for Back Hardware 1" Growth -----	113BP1	\$50
<input type="checkbox"/>	Longer Pins for Back Hardware 2" Growth -----	113BP2	\$50

17 CUSHION OPTIONS

<input type="checkbox"/>	Black Nylon Seat Upholstery-----	113SC19	Standard
<input type="checkbox"/>	Prism Ideal Cushion -----	113SC01	\$175
<input type="checkbox"/>	Prism Elite Cushion -----	113SC04	\$250
<input type="checkbox"/>	Prism Supreme Cushion -----	113SC07	\$375
<input type="checkbox"/>	Prism Supreme II Plus Cushion -----	113SC10	\$375
<input type="checkbox"/>	Prism Supreme Air Cushion -----	113SC13	\$500
<input type="checkbox"/>	Omit Cushion -----	113SC20	No Charge

Standard Size Cushion Depth: 16", 18" and 20"

For other Cushions, please fill in the required Cushions Order Form and attach it to this order. [Click here to see all Cushions](#)

18 FRONT RIGGING (PAIRS)

<input type="checkbox"/>	60 Degree Swingaway Upgraded-----	113FR03	No Charge
<input type="checkbox"/>	70 Degree Swingaway Upgraded-----	113FR04	No Charge
<input type="checkbox"/>	90 Degree Swingaway Upgraded-----	113FR05	\$230
<i>Not available with composite/adjustable footplate with 6", 7" or 8" Casters.</i>			
<input type="checkbox"/>	Stump Support Swingaway Upgraded Pair -----	113FR32	\$240
Single Pick Option Same limitations as above pairs			
<input type="checkbox"/>	60 Degree Swingaway Upgraded---	<input type="checkbox"/> RT <input type="checkbox"/> LT	113FR35 No Charge
<input type="checkbox"/>	70 Degree Swingaway Upgraded---	<input type="checkbox"/> RT <input type="checkbox"/> LT	113FR36 No Charge
<input type="checkbox"/>	90 Degree Swingaway Upgraded---	<input type="checkbox"/> RT <input type="checkbox"/> LT	113FR37 \$115
<input type="checkbox"/>	Stump Support Swingaway -----	<input type="checkbox"/> RT <input type="checkbox"/> LT	113FR44 \$120
<input type="checkbox"/>	Omit Front Rigging	<input type="checkbox"/> RT <input type="checkbox"/> LT	113FR11 No Charge



19 FOOTPLATE TYPE (PAIRS)

<input type="checkbox"/>	Composite Flip-Up Footplates Small -----	113FP01	No Charge
<input type="checkbox"/>	Composite Flip-Up Footplates Large -----	113FP02	No Charge
<input type="checkbox"/>	Composite Depth & Angle Adj Flip-Up Footplates Medium (18" up) -----	113FP09	\$120
<input type="checkbox"/>	Composite Angle Adj. Flip-Up Cone Lock Large-----	113FP16	\$150
<input type="checkbox"/>	Composite Angle Adj. Flip-Up Cone Lock X-Large-----	113FP17	\$170
<input type="checkbox"/>	Aluminum Depth & Angle Adj Flip-Up Footplates Small-----	113FP10	\$120
<input type="checkbox"/>	Aluminum Depth & Angle Adj Flip-Up Footplates Medium -----	113FP11	\$120
<input type="checkbox"/>	Aluminum Depth & Angle Adj Flip-Up Footplates Large -----	113FP12	\$120
<input type="checkbox"/>	One Piece Flip-Up Footboard -----	113FP19	\$160

Not Available with 6", 7" or 8" Casters when footboard is facing rear on 90° Swingaway.



20 FOOTREST/LEGREST ACCESSORIES

<input type="checkbox"/>	Padded Calf Strap-----	113FA03	\$70
<input type="checkbox"/>	Foam Guards on Elevating Legrest (pair)-----	113FA05	\$70
<input type="checkbox"/>	Foam Pad on Footplate (pair)-----	113FA07	\$70
<input type="checkbox"/>	Foam Pad on One Piece Footboard-----	113FA06	\$50
<input type="checkbox"/>	Heel Loops-----	113FA01	Standard
<input type="checkbox"/>	Omit Heel Loops-----	113FA02	No Charge

21 WHEEL LOCKS

<input type="checkbox"/>	Push-to-Lock Wheel Lock-----	113WL5	Standard
<input type="checkbox"/>	Pull-to-Lock Wheel Lock-----	113WL6	No Charge
<input type="checkbox"/>	Wheel Lock Extension (Bolt on)-----	113WL7	No Charge
<input type="checkbox"/>	Attendant Wheel Lock (Foot Activated RT)-----	113WL8	\$295
<input type="checkbox"/>	Attendant Wheel Lock (Foot Activated LT)-----	113WL9	\$295

Wheel Lock Extension required with Flip Back Arm.
Pull to Lock recommended for Seat Depth 18" and smaller



② ANTI TIP

- Fixed Anti-Tippers ----- 113MA22 No Charge
 - Quick Flip Anti-Tippers 113MA23 \$90
- Quick Flip Anti-Tippers must be in down position when flipping arm back
 Not available with Amputee Rear Wheel Mount option

③ MISCELLANEOUS ACCESSORIES

- Auto-Seat Positioning Straps----- 113MA03 \$52
- Velcro Release Positioning Strap----- 113MA05 \$48
- Padded Lap Tray 15"-16"----- 113MA09 \$285
- Padded Lap Tray 17"-18"----- 113MA10 \$285
- Padded Lap Tray 19"-20"----- 113MA11 \$285
- IV Pole, telescopic----- 113MA20 \$168
- Cane Crutch Holder ----- 113MA37 \$85

WARRANTY
Future Mobility Healthcare warrants the STELLATO // wheelchair to be free from defects in materials and workmanship for a period of two (2) year from the date of purchase. The side frame is warranted for the lifetime of the original purchaser and/or user.