



TEL: 905-671-1661  
FAX: 905-671-3377

<b>Account Information</b>	<b>Order Date:</b> _____
Account #: _____	P.O.# _____
Business Name: _____	Phone: _____
Ship to Address: _____	City: _____
Fax: _____	Province: _____ Postal Code: _____
Contact: _____	
<b>TAG FOR:</b> _____	

**1) FRAME TYPE**

Northern Lite Folding Chair - WMA3FM005 ----- 108 \$2,350

**2) FRAME FINISH**

Silver----- 108C02 Standard

Black----- 108C01 No Charge

**3) SEAT WIDTH**

16" Seat Width ----- 108SW16 No Charge

18" Seat Width ----- 108SW18 No Charge

20" Seat Width ----- 108SW20 No Charge

**4) SEAT DEPTH**

16" Seat Depth ----- 108SD16 No Charge

18" Seat Depth ----- 108SD18 No Charge

20" Seat Depth ----- 108SD20 No Charge

**5) SEAT-TO-FLOOR HEIGHT AND CASTER SIZE**

13.75" (4" Caster) ----- 108STFN1 No Charge

14.5" (4" Caster) ----- 108STFN2 No Charge

15.75" (4" Caster) ----- 108STFN3 No Charge

16.5" (4" Caster) ----- 108STFN4 No Charge

16" (6" Caster) ----- 108STFN5 No Charge

16.75" (6" Caster) ----- 108STFN6 Standard

17.5" (6" Caster) ----- 108STFN7 No Charge

17.75" (8" Caster) ----- 108STFN8 No Charge

18.5" (8" Caster) ----- 108STFN9 No Charge

19" (8" Caster) ----- 108STFN10 No Charge

**6) REAR SEAT-TO-FLOOR HEIGHT & WHEEL SIZE - Choose one**

B  13" (20" Wheels) ----- 108STFN11 No Charge

13.75" (20" Wheels) ----- 108STFN12 No Charge

B  14" (22" Wheels) ----- 108STFN13 No Charge

14.5" (20" Wheels) ----- 108STFN14 No Charge

14.75" (22" Wheels) ----- 108STFN15 No Charge

15.25" (20" Wheels) ----- 108STFN16 No Charge

15.5" (22" Wheels) ----- 108STFN17 No Charge

15.75" (24" Wheels) ----- 108STFN18 No Charge

16.25" (22" Wheels) ----- 108STFN19 No Charge

16.5" (24" Wheels) ----- 108STFN20 Standard

17.25" (24" Wheels) ----- 108STFN21 No Charge

18" (24" Wheels) ----- 108STFN22 No Charge

18.75 (24" Wheels) ----- 108STFN23 No Charge

**7) CASTER OPTIONS**

4" x 1.25" Urethane ----- 108CW01 No Charge

5" x 1.25" Urethane ----- 108CW05 No Charge

6" x 1.25" Urethane ----- 108CW04 No Charge

8" x 1.25" Urethane ----- 108CW07 No Charge

**Standard Chair Includes:**

Lightweight Folding Frame w/Swingaway Front End  
Elliptical Heavyduty Double Crossbrace Tubing  
Seat Width (16"-20")  
Seat Depth (16"-18")  
Front Seat-To-Floor Height (14"-19")  
Rear Wheel Options (20", 22" or 24") Airless  
Caster Options (4", 6" or 8")  
Camber Adjustable Rear Wheels (0°, 3°, 5°)  
Seat Upholstery  
Adjustable Tension Back Upholstery  
Push Canes  
Composite Flip-Up Footplates  
Heel Loops  
Wheel Locks (Push or Pull to Lock)  
Full Length Adj. Height T-Arm (Vinyl Pad)  
Anti tippers



**FOOTNOTES:**

A. Front seat height should be larger than rear seat height

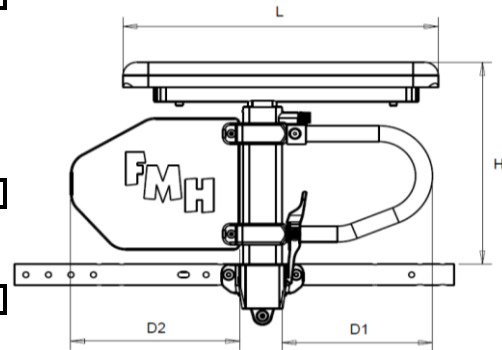
B. Can only have 0° camber angle on rear wheels at these heights

- 8) REAR WHEEL TIRE**
- Airless (Solid Rubber) ----- 108RT1 Standard
  - Pneumatic ----- 108RT2 No Charge

- 9) REAR WHEEL OPTIONS**
- 20" Spoke Wheels ----- 108RW06 No Charge
  - 22" Spoke Wheels ----- 108RW07 No Charge
  - 24" Spoke Wheels ----- 108RW08 No Charge
  - 20" Mag Wheels ----- 108RW09 No Charge
  - 22" Mag Wheels ----- 108RW10 No Charge
  - 24" Mag Wheels ----- 108RW11 No Charge

- 10) HANDRIM OPTIONS**
- Chrome ----- 108HR1 Standard
  - Plastic Coated ----- 108HR2 \$110
  - Omit Handrims ----- 108HR3 less net \$15

- 11) ARM TYPE**
- T-Style Adjustable Height Pin Release - Youth ---- 108AR05 No Charge
  - T-Style Adjustable Height Pin Release - Adult ---- 108AR06 No Charge
  - Flip Back Adjustable Height----- 108AR09 No Charge



Armrest Matrix for T-Style Pin Release Arm						
Armrest Style	Transfer Tube Length D1	Arm Guard Length D2	H Range	Arm Pad Length L		
				Desk	Full	Curved
Adult	6.75"	7.50"	9.50" - 14.50"	10.25"	14.0"	17.0"
Youth	4.50"	5.0"	8.75" - 13.75"			

- 12) ARM PAD**
- Contour Gel 17" (pair)----- 108AP3 Standard
  - Desk length Vinyl 10" (pair)----- 108AP1 No Charge
  - Full length Vinyl 14" (pair)----- 108AP2 No Charge

- 13) BACK TYPE**
- Back 10 deg bend w/Push Handle (low) ----- 108PC3 Standard
  - Back 10 deg bend w/Push Handle (high) ----- 108PC4 No Charge

- 14) BACK UPHOLSTERY**
- Slip-on Padded Back Upholstery----- 108BK48 Standard
  - Adjustable Tension Back ----- 108BK45 \$150
  - Prism Basic Back ----- 108BK01 \$150
  - Prism Ultra Back ----- 108BK06 \$250
  - Prism Air Back ----- 108BK11 \$400
  - Prism TrueFitt Back ----- 108BK16 \$650
  - Prism Max Ultra Back ----- 108BK21 \$300
  - Prism Max Air Back ----- 108BK26 \$450
  - Prism Max TrueFitt Back ----- 108BK31 \$700
  - Lunar Back Mid Basic Lateral on chair ----- 108BK39 \$550
  - Omit Back ----- 108BK49 No Charge
  - Specify Back Size W\_\_\_\_x H\_\_\_\_

[For other Backs, please fill in the required Backs Order Form and attach it to this order. Click here to see all Backs](#)

- 15) BACK PINS (Prism Backs only)**
- Longer Pins for Back Hardware 1" Growth ----- 108BP1 \$50
  - Longer Pins for Back Hardware 2" Growth ----- 108BP2 \$50

- 16) SEAT OPTIONS**
- Black Nylon Seat Upholstery----- 108SC19 Standard
  - Prism Ideal Cushion ----- 108SC01 \$175
  - Prism Elite Cushion ----- 108SC04 \$250
  - Prism Supreme Cushion ----- 108SC07 \$375
  - Prism Supreme II Plus Cushion ----- 108SC10 \$375
  - Prism Supreme Air Cushion ----- 108SC13 \$500
  - Omit Cushion ----- 108SC20 No Charge
- Standard Size Cushion Depth: 16", 18" and 20"

[For other Cushions, please fill in the required Cushions Order Form and attach it to this order. Click here to see all Cushions](#)

**FOOTNOTES:**

D. Top of back cane is set at 16" high from the top of the seat rail

E. Top of back cane is set at 20" high from the top of the seat rail

**17) FRONT RIGGING**

- |   |         |           |
|---|---------|-----------|
| <input type="checkbox"/> 70 Degree Swingaway Upgraded-----        | 108FR04 | Standard  |
| <input type="checkbox"/> 60 Degree Swingaway Upgraded-----        | 108FR03 | No Charge |
| <input type="checkbox"/> Swingaway Elevating Legrest (pair) ----- | 108FR10 | \$550     |

**18) FOOTPLATE TYPE**

- |  |         |           |
|--|---------|-----------|
| <input type="checkbox"/> Composite Flip-Up Footplates Small -----          | 108FP01 | Standard  |
| <input type="checkbox"/> Composite Flip-Up Footplates Large -----          | 108FP02 | No Charge |
| <input type="checkbox"/> Aluminum Angle Adj Flip-Up Footplates Small-----  | 108FP10 | \$120     |
| <input type="checkbox"/> Aluminum Angle Adj Flip-Up Footplates Medium----- | 108FP11 | \$120     |
| <input type="checkbox"/> Aluminum Angle Adj Flip-Up Footplates Large-----  | 108FP12 | \$120     |

**19) FOOTREST/LEGREST ACCESSORIES**

- |  |         |              |
|--|---------|--------------|
| <input type="checkbox"/> Padded Calf Strap -----                       | 108FA03 | \$70         |
| <input type="checkbox"/> Foam Guards on Elevating Legrest (pair) ----- | 108FA05 | \$70         |
| <input type="checkbox"/> Heel Loops -----                              | 108FA01 | Standard     |
| <input type="checkbox"/> Omit Heel Loops -----                         | 108FA02 | less net \$7 |

**20) WHEEL LOCKS**

- |   |  |        |           |
|---|--|--------|-----------|
| F | <input type="checkbox"/> Push-to-Lock Wheel Lock-----        | 108WL5 | Standard  |
| G | <input type="checkbox"/> Pull-to-Lock Wheel Lock-----        | 108WL6 | No Charge |
|   | <input type="checkbox"/> Wheel Lock Extension (Bolt on)----- | 108WL7 | No Charge |

**21) REAR WHEEL CAMBER ANGLE**

- |   |   |        |           |
|---|---|--------|-----------|
| H | <input type="checkbox"/> No Camber -----  | 108CB1 | Standard  |
|   | <input type="checkbox"/> 3 ° camber ----- | 108CB2 | No Charge |
|   | <input type="checkbox"/> 5° camber -----  | 108CB3 | No Charge |

**22) ANTI TIP**

- |  |         |           |
|--|---------|-----------|
| <input type="checkbox"/> Quick Flip Anti-Tippers | 108MA23 | No Charge |
|--|---------|-----------|

**23) MISCELLANEOUS ACCESSORIES**

- |   |         |      |
|---|---------|------|
| <input type="checkbox"/> Auto-Seat Positioning Straps -----     | 108MA03 | \$52 |
| <input type="checkbox"/> Velcro Release Positioning Strap ----- | 108MA05 | \$48 |

**FOOTNOTES:**

F. Standard Mount - Footrests swing further back to rear wheels

G. Transfer Mount - Brakes levers are below seat level when locked

H. Standard Wheelchairs are set at a 0 ° camber angle on rear wheels