



FUTURE
MOBILITY HEALTHCARE INC.

2620 REVC REV DATE: 04/13/2016

**I.V POLE
OXYGEN TANK
VENT TRAY**

PARTS MANUAL

FUTURE MOBILITY HEALTHCARE APPRECIATES YOUR BUSINESS.
OUR CUSTOMER SERVICE REPRESENTATIVES CAN BE CONTACTED AT:

**TO PLACE ORDERS:
(905) 671-1661**

FOR YOUR CONVENIENCE YOU MAY ALSO PLACE ORDERS BY FAX AT:

FAX: (905) 671-3377

PLEASE VISIT OUR WEBSITE AT:

www.futuremobility.ca

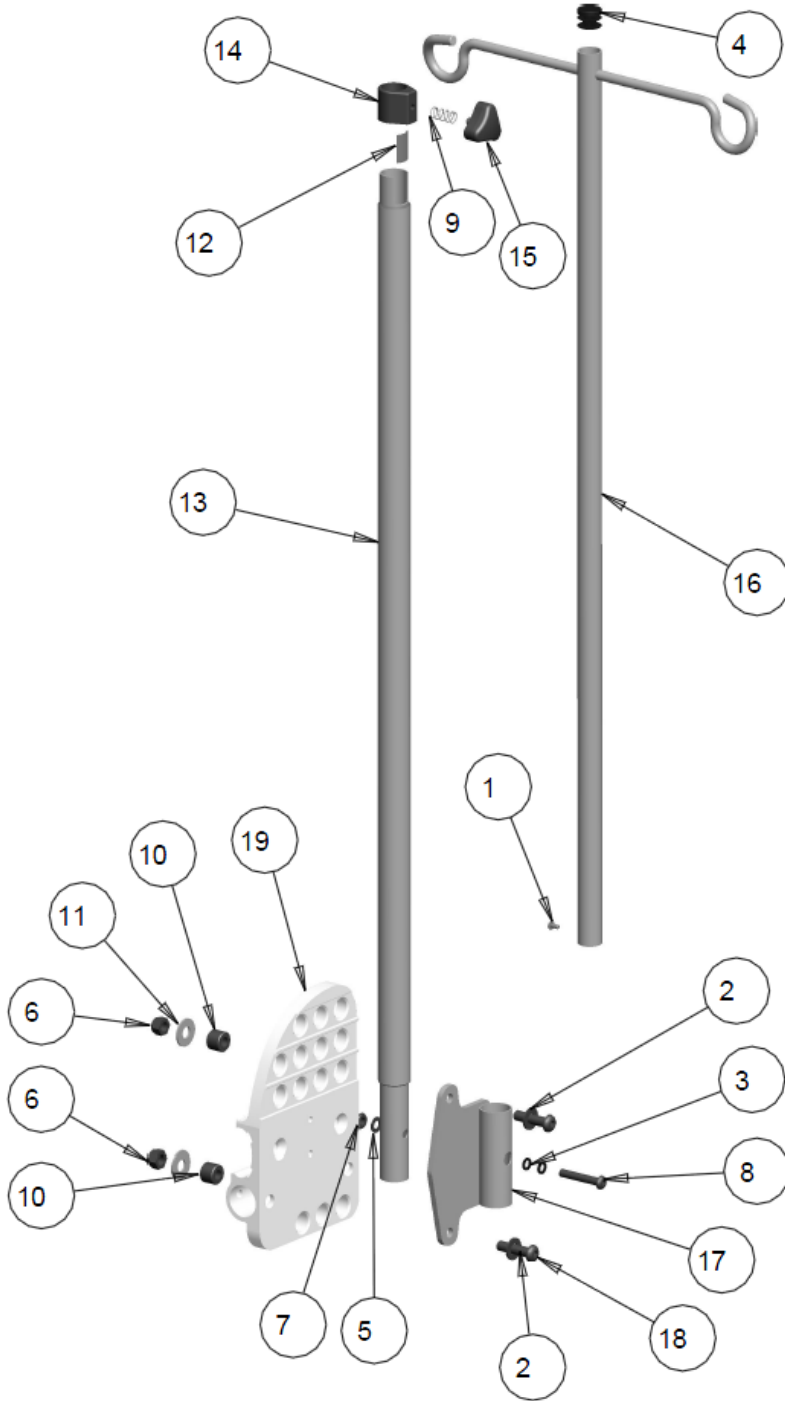
*Part prices and configurations included in this Parts Manual are subject to change without prior notice.

* All prices are shown as per unit individual price.

Contents

I.V POLE.....	5
I.V POLE FOR ORION II	5
I.V POLE FOR STELLATO	7
I.V POLE FOR CAPELLA	9
OXYGEN TANK HOLDER	11
OXYGEN TANK HOLDER TELESCOPING	11
VENTILATOR	13
VENTILATOR CASING	13
VENTILATOR RACK	15
VENTILATOR HOLDING RACK	15

I.V POLE
I.V POLE FOR ORION II

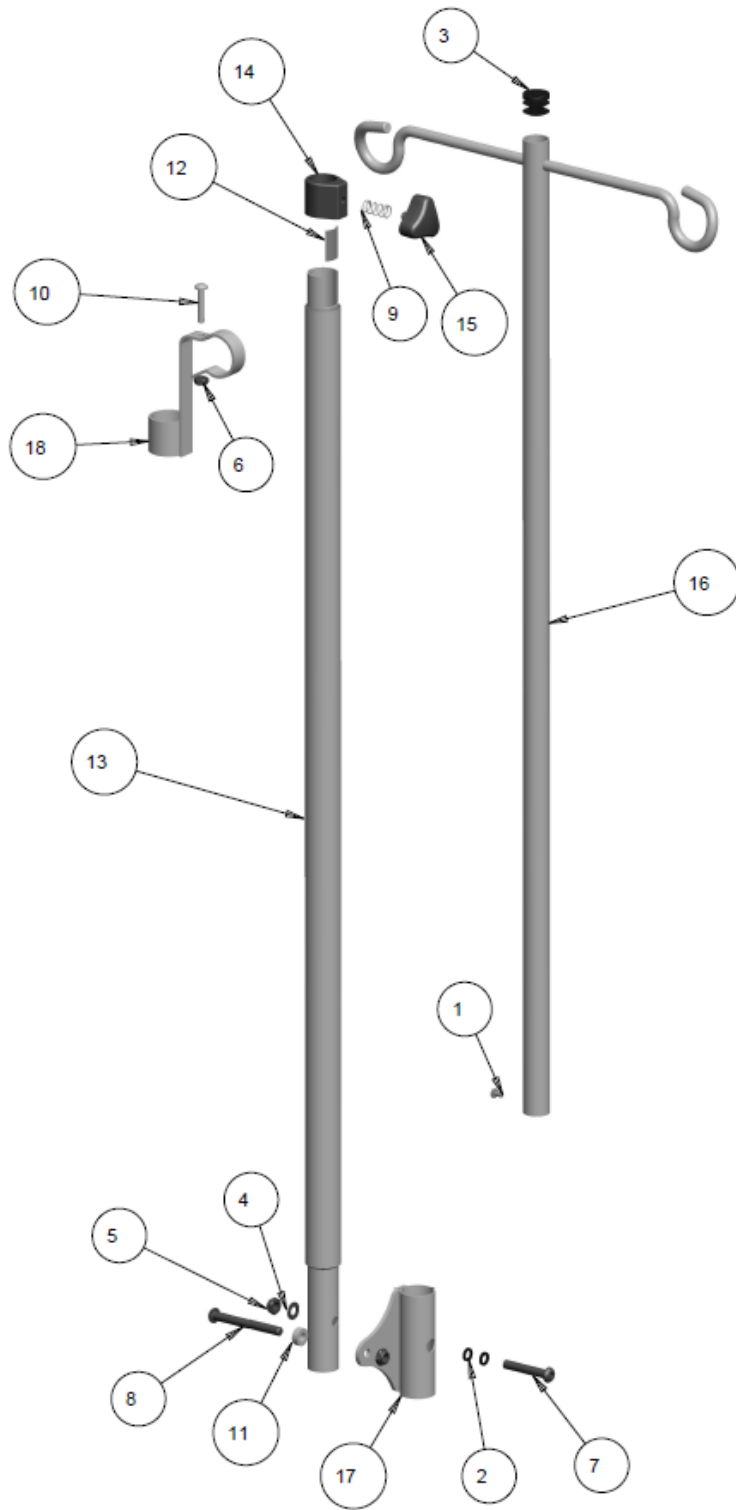


I.V POLE FOR ORION II - TABLE

ITEM	QTY	NOTES	PART NO.	DESCRIPTION	PRICE/ PER UNIT
1	1		1007213	SCREW, TCS, PAN HEAD PHILLIPS #6 X 1/4	\$3.00
2	2		1000008	WASHER_FLAT_11/16_OD_11/32_ID_11/16_THK_BLK	\$1.50
3	2		1000011	SPACER 1/4 X .375 X 1/16	\$3.50
4	1		1000018	ROUND PLUG TUBE	\$2.50
5	1		1000027	WASHER FLAT 1/4" ID .257 OD 0.50 THK	\$2.00
6	2		1000034	NUT, HEX, NYLOCK 5/16-18NC	\$2.00
7	1		1000397	NUT, HEX-NYLOCK THIN, 1/4-20NC	\$2.00
8	1		1000493	SCREW, SOCKET HEAD BUTTON 1/4-20 X 1.50	\$3.00
9	1		1001727	SPRING, COMP .36 OD X .75 LG .032 WIRE	\$3.00
10	2		1001852	BUSHING 5/16 BOLT	\$6.00
11	2		1001861	WASHER FLAT 5/16 ID 3/8 OD 7/8 THK .062	\$1.50
12	1		1006895	FRICTION PLATE	\$6.00
13	1		1006896	MAIN HOUSING, IV POLE WELDMENT	\$58.00
14	1		1006900	ENDCAP HOUSING, IV POLE	\$18.00
15	1		1007203	KNOB ASS, HEX STUD, 1/4-20	\$12.00
16	1		1007204	I.V POLE TELESCOPING TUBE, WELDMENT	\$45.00
17	1		1007208	IV POLE MOUNTING BRACKET WELDMENT	\$24.00
18	2		1007212	SCREW, SOCKET HEAD BUTTON 5/16-18 X 1.25	\$4.00
19	1		REF	AXCEL PLATE NEW LT 1" TUBE	REF
	1		1021537	KIT, COMPLETE I.V POLE ORION II (ITEMS 1-18)	\$175.00
		B22755-22776			

NOTES:

I.V POLE FOR STELLATO

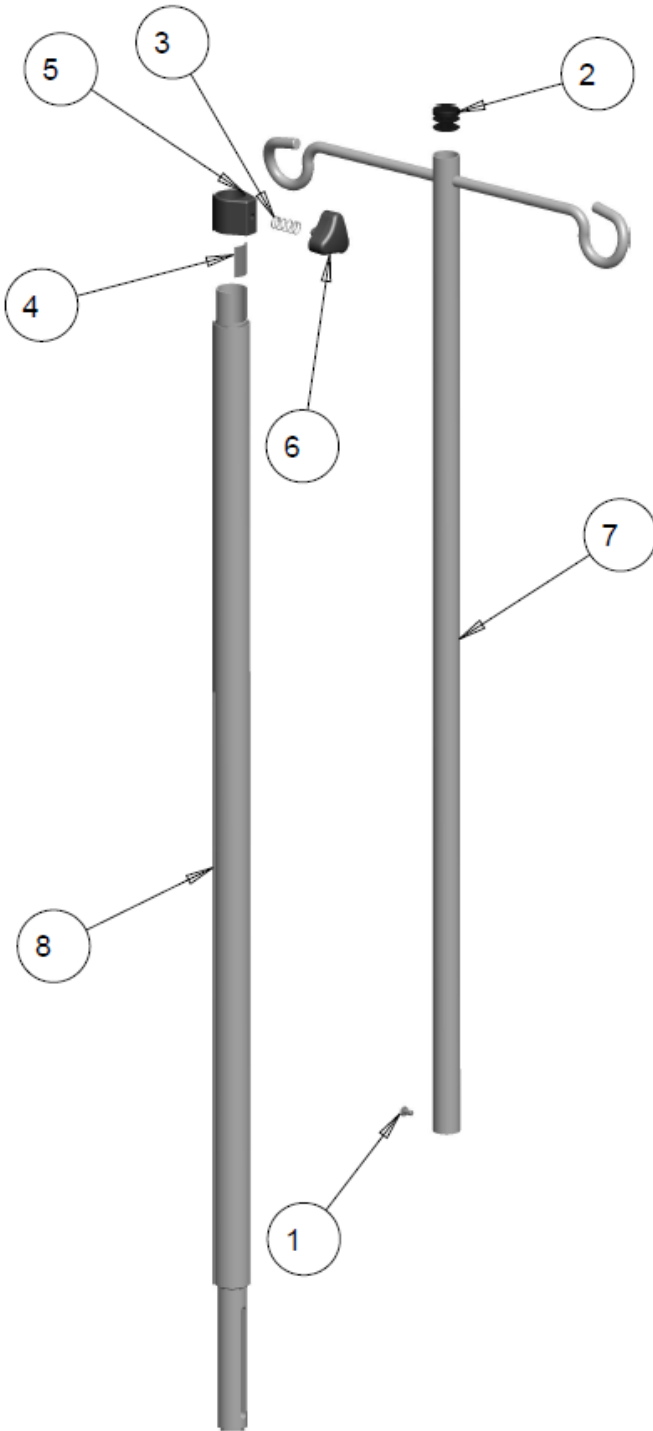


I.V POLE FOR STELLATO – TABLE

ITEM	QTY	NOTES	PART NO.	DESCRIPTION	PRICE/ PER UNIT
1	1		1007213	SCREW, TCS, PAN HEAD PHILLIPS #6 X 1/4	\$3.00
2	2		1000011	SPACER 1/4 X .375 X 1/16	\$3.50
3	1		1000018	ROUND PLUG TUBE	\$2.50
4	1		1000027	WASHER FLAT 1/4" ID .257 OD 0.50 THK	\$2.00
5	2		1000397	NUT, HEX-NYLOCK THIN, 1/4-20NC	\$2.00
6	1		1000410	NUT, HEX-NYLOCK THIN, #10-32NF	\$2.00
7	1		1000493	SCREW, SOCKET HEAD BUTTON 1/4-20 X 1.50	\$3.00
8	1		1000892	SCREW, SOCKET HEAD BUTTON 1/4-20 X 2.25	\$3.00
9	1		1001727	SPRING, COMP .36 OD X .75 LG .032 WIRE	\$3.00
10	1		1003052	SCREW, PHILLIPS PAN HEAD, #10-32NF X 1	\$3.00
11	1		1005339	SPACER, NYLON 1/4, OD .50, ID .257, THK .187	\$2.00
12	1		1006895	FRICTION PLATE	\$6.00
13	1		1006896	MAIN HOUSING, IV POLE WELDMENT	\$58.00
14	1		1006900	ENDCAP HOUSING, IV POLE	\$18.00
15	1		1007203	KNOB ASS, HEX STUD, 1/4-20	\$12.00
16	1		1007204	I.V POLE TELESCOPING TUBE, WELDMENT	\$45.00
17	1		1007217	IV POLE MOUNTING BRACKET WELDMENT	\$20.00
18	1		1007219	HANDLE CLAMP WELDMENT	\$15.00
	1		1021538	KIT, COMPLETE I.V POLE STELLATO (ITEMS 1-18)	\$178.00
		B22790-22810			

NOTES:

I.V POLE FOR CAPELLA



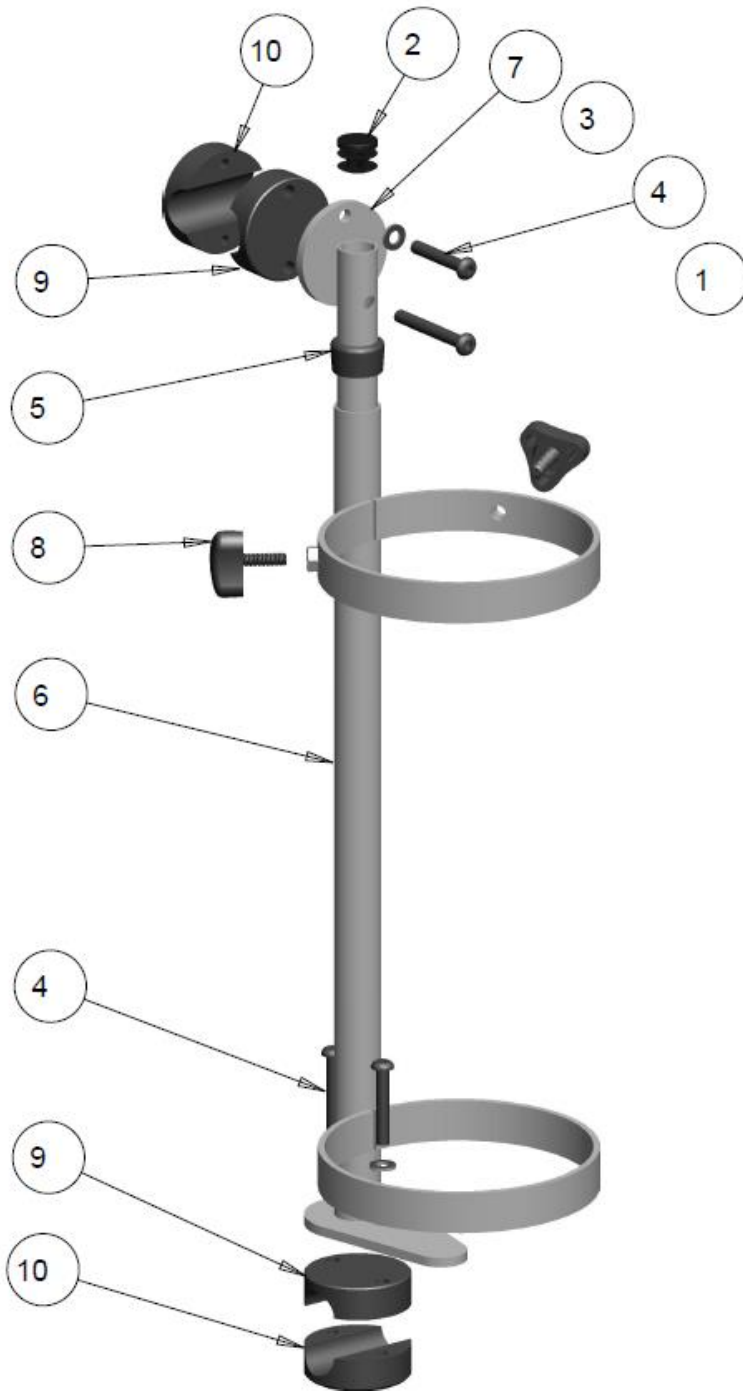
I.V POLE FOR CAPELLA – TABLE

ITEM	QTY	NOTES	PART NO.	DESCRIPTION	PRICE/ PER UNIT
1	1		1007213	SCREW, TCS, PAN HEAD PHILLIPS #6 X 1/4	\$3.00
2	1		1000018	ROUND PLUG TUBE	\$2.50
3	1		1001727	SPRING, COMP .36 OD X .75 LG .032 WIRE	\$3.00
4	1		1006895	FRICTION PLATE	\$6.00
5	1		1006900	ENDCAP HOUSING, IV POLE	\$18.00
6	1		1007203	KNOB ASS, HEX STUD, 1/4-20	\$12.00
7	1		1007204	I.V POLE TELESCOPING TUBE, WELDMENT	\$45.00
8	1		1021542	IV POLE WELDMENT CAPELLA	\$58.00
	1		1021545	KIT, COMPLETE I.V POLE CAPELLA (ITEMS 1-8)	\$175.00
		B22825- 22835			

NOTES:

OXYGEN TANK HOLDER

OXYGEN TANK HOLDER TELESCOPING



OXYGEN TANK HOLDER TELESCOPING – TABLE

ITEM	QTY	NOTES	PART NO.	DESCRIPTION	PRICE/ PER UNIT
1	1		1002708	SCREW, SOCKET HEAD BUTTON 1/4-20 X 2.00	\$3.00
2	1		1000018	ROUND PLUG TUBE	\$2.50
3	3		1000027	WASHER FLAT 1/4", ID .257, OD 0.50, THK 0.032	\$2.00
4	3		1000493	SCREW, SOCKET HEAD BUTTON 1/4-20 X 1.50	\$3.00
5	1		1001222	GLIDE PLUG .875 DIA, 0.75 SLIDE TUBE	\$5.00
6	1		1008233	MAIN , OXYGEN TANK HOLDER	\$68.00
7	1		1008238	UPPER SLIDE TUBE WELDMENT	\$42.00
8	2		1008245	3 PRONG KNOB 1/4-20 LONG	\$12.00
9	2		1008276	TOP NYLON LOCK COLLAR 0.875 DIA	\$10.00
9	2		1017148	TOP NYLON LOCK COLLAR 1.00 DIA	\$10.00
9	2		1008254	TOP NYLON LOCK COLLAR 1.125 DIA	\$10.00
10	2		1008277	BOTTOM NYLON LOCK COLLAR 0.875 DIA	\$14.00
10	2		1017149	BOTTOM NYLON LOCK COLLAR 1.00 DIA	\$14.00
10	2		1008257	BOTTOM NYLON LOCK COLLAR 1.125 DIA	\$14.00
	1	A	1017150	KIT, TELESCOPING OXYGEN TANK HOLDER - CAPELLA/ 45	\$185.00
	1	B	1021539	KIT, TELESCOPING OXYGEN TANK HOLDER - ORION II	\$165.00
		B22860-22877			

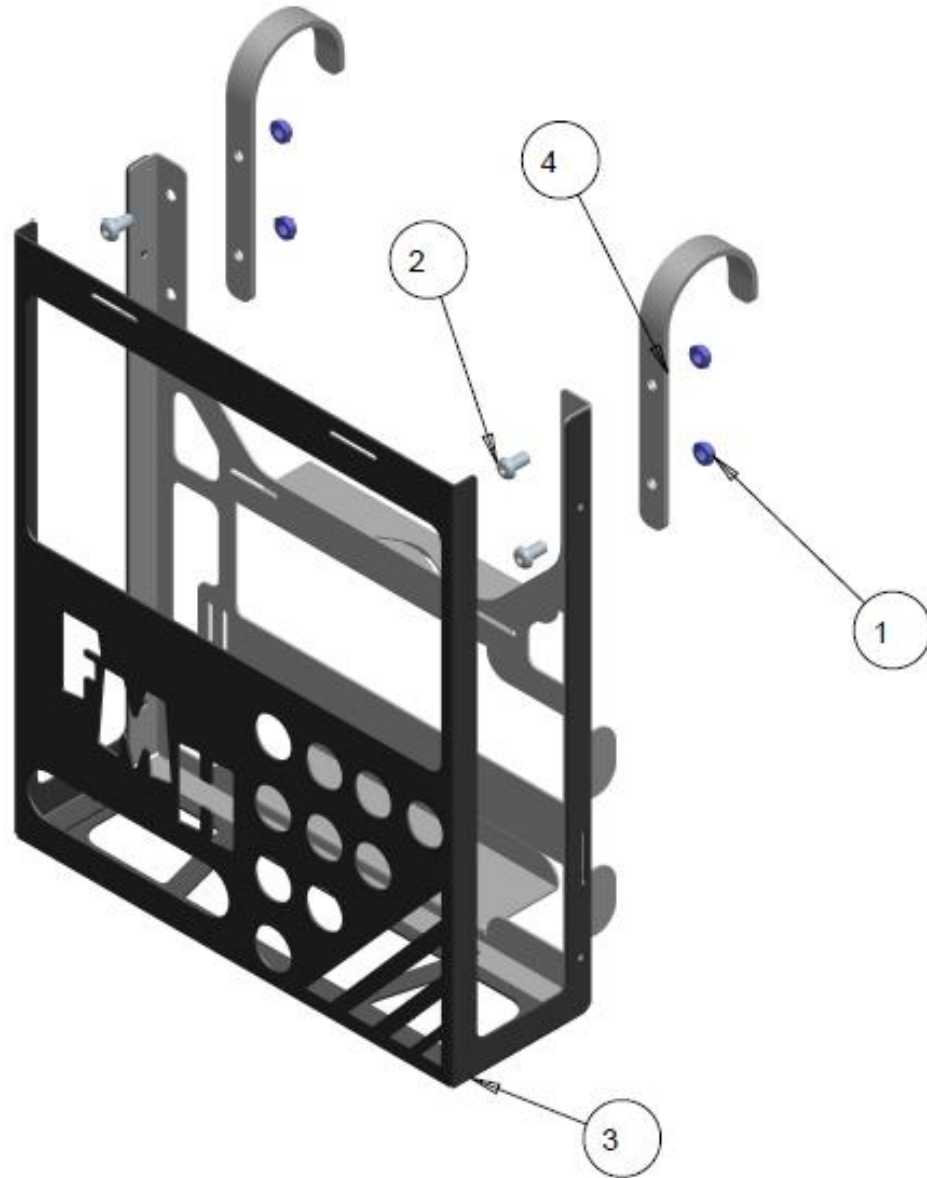
NOTES:

A 1" DIA. COLLARS ARE USED FOR BOTH UPPER AND LOWER CLAMPS

B 0.875 DIA. COLLARS ARE USED FOR UPPER. 1.125 DIA. COLLARS FOR LOWER

VENTILATOR

VENTILATOR CASING



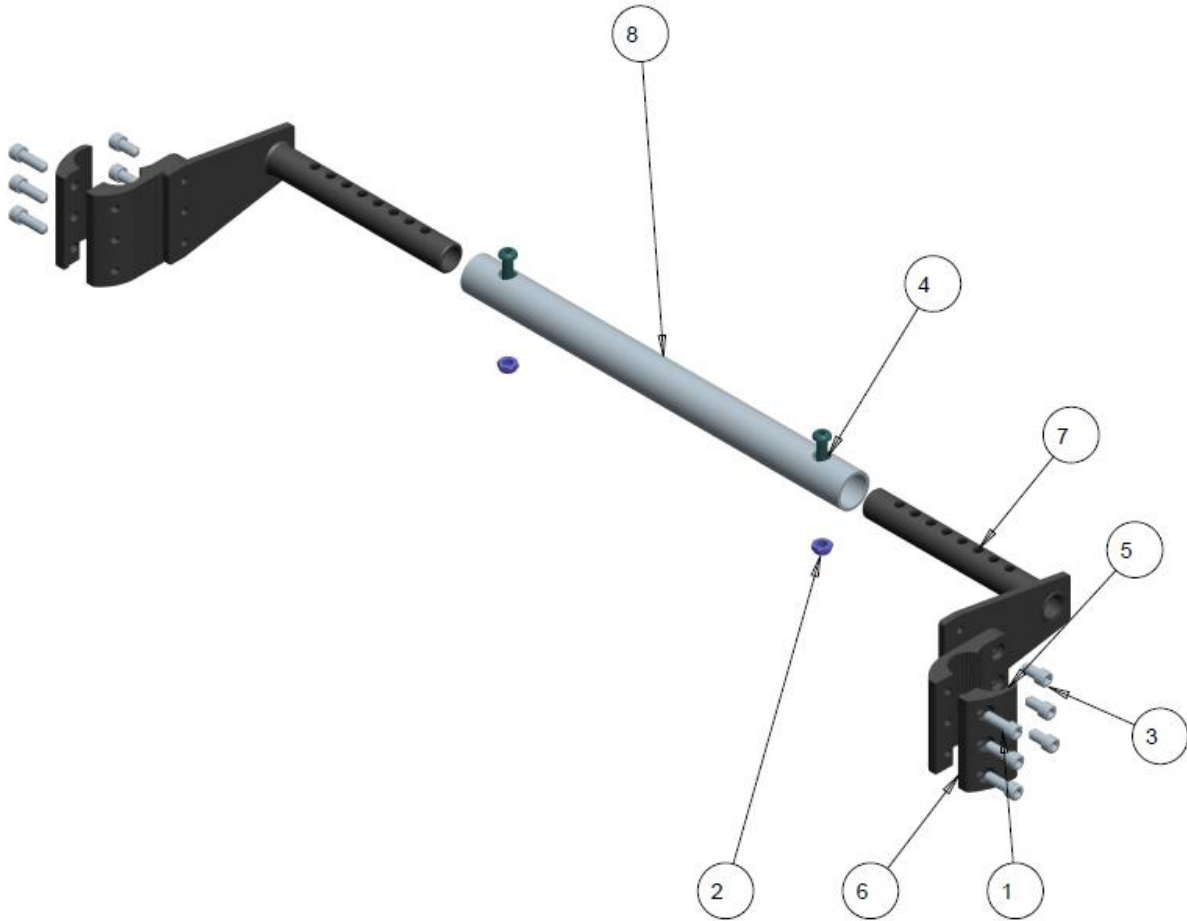
VENTILATOR CASING – TABLE

ITEM	QTY	NOTES	PART NO.	DESCRIPTION	PRICE/ PER UNIT
1	1		1001298	1/4X20-1/2 HEX HEAD CAP SCREW GRS	\$3.00
2	1		1003548	NUT, UNITORQUE, 1/4-20	\$2.00
3	1		1022355	VENT TRAY WELDMENT	\$76.00
4	1		1022357	VENT TRAY HANGER HOOK	\$9.00
	1		1024874	KIT, VENTILATOR TRAY (ITEMS 1 - 2)	\$950.00
		B22895- 22901			

NOTES:

VENTILATOR RACK

VENTILATOR HOLDING RACK



VENTILATOR HOLDING RACK – TABLE

ITEM	QTY	NOTES	PART NO.	DESCRIPTION	PRICE/ PER UNIT
1	6		1000025	SCREW, SOC HD CAP, 1/4-20 X 0.75	\$3.00
2	2		1000397	NUT, HEX-NYLOCK THIN, 1/4-20NC	\$2.00
3	6		1000403	SCREW, SOC HD CAP, 1/4-20 X 0.5	\$3.00
4	2		1000416	1/4-20 BUTTON HEAD SOC CAP	\$3.00
5	2		1004841	MAIN CLAMP- MACHINED	\$44.00
6	2		1004842	OUTER CLAMP-MACHINED	\$44.00
7	2		1025601	WELDMENT BACKREST ROD AND CLAMP	\$35.00
8	1		1025604	BACKREST CROSS TUBE	\$20.00
	1		1025602	KIT, VENTILATOR HOLDING RACK (ITEMS 1-8)	\$280.00
		B22930-22940			

NOTES: