



| | | | |
|----------------------------|-------|-------------------|-------|
| Account Information | | Order Date: _____ | |
| Account #: | _____ | P.O.# | _____ |
| Business Name: | _____ | Phone: | _____ |
| Ship to Address: | _____ | City: | _____ |
| Fax: | _____ | Province: | _____ |
| Contact: | _____ | Postal Code: | _____ |

① FRAME TYPE

- Commode Attendant Propelled Stainless Steel (white)----- 117C19 \$1,595
- Commode Self Propelled Stainless Steel (white)----- 117C19S \$2,145

② SEAT WIDTH

- 18" Seat Width ----- 117SW18 No Charge
- 20" Seat Width ----- 117SW20 \$150
- 22" Seat Width ----- 117SW22 \$200

③ SEAT DEPTH

- 18" Seat Depth ----- 117SD18 No Charge

④ SEAT-TO-FLOOR HEIGHT (on attendant propelled commode)

- 16.5" ----- 117SF09 No Charge
- 17.5" ----- 117SF11 Standard
- 18.5" ----- 117SF13 No Charge
- 19.5" ----- 117SF15 No Charge

* Seat to Floor measure without seatpad. (Thickness 2.75")

⑤ CASTER SIZE

- 5" x 2" Polypropylene Caster ----- 117CW03 Standard

⑥ CASTER TYPE

- Total Lock----- 117CT01 Standard

⑦ WHEEL SIZE for Self Propelled Commode

- 20" Composite Urethane Tires ----- 117RW03 No Charge
- 22" Composite Urethane Tires ----- 117RW04 Standard

⑧ HANDRIM OPTIONS for Self Propelled Commode

- Chrome Plated ----- 117HR1 Standard
- Plastic Coated ----- 117HR2 \$160
- Omit Handrims ----- 117HR3 less \$15

⑨ ARM TYPE

- Cantilever Arm----- 117AR29 Standard

⑩ PUSH OPTIONS

- Push Canes Fixed Handles ----- 117PC1 Standard

⑪ BACK OPTIONS

- Slip on Mesh Back Support ----- 117BK46 Standard
- Foam Skinned Back Support ----- 117BK47 No Charge

Features:
 Seat Width 18"
 Seat Depth 18"
 Adjustable Height Back
 Slip on Back Support
 Seat to Floor Height 16.5" to 19.5" adj. without tools
 on Attendant Propelled w/4 casters
 Casters 5" - Total Lock - Stainless Steel
 Cantilever Fixed Height Arm Supports
 Removable Seat (Thickness 2.75")
 Removable Pan Support
 Removable Pan with lid
 Finish - White Powder Coat



FOOTNOTES:

12 SEAT OPTIONS AQUA REHAB COMMODE: FC ORDER FORM

- Removable Seat ----- 117SO1 Standard
- Removable Pan Support ----- 117SO2 Standard
- Removable Pan with Lid ----- 117SO3 Standard

13 FRONT RIGGING

- 50 Degree Swingaway Stainless Steel (white)----- 117FR13 \$195
- 70 Degree Swingaway Stainless Steel (white)----- 117FR22 \$210

14 FOOTPLATE TYPE

- Composite Flip-Up Footplates----- 117FP02 No Charge
- Composite Adj Angle Flip-Up Footplate Spring Return----- 117FP04 \$150

15 FOOTREST/LEGREST ACCESSORIES

- Heel Loops ----- 117FA01 No Charge
- Omit Heel Loops ----- 117FA02 less net \$7

16 WHEEL LOCKS for Self Propelled Commode

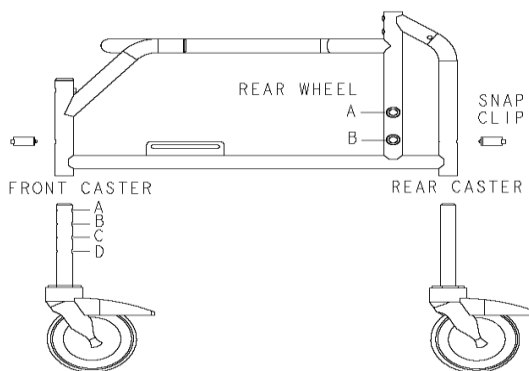
- Push-to-Lock Wheel Lock ----- 117WL1 Standard
- Wheel Lock Extension ----- 117WL3 \$35

17 ANTI TIP

- Rear Anti-Tippers ----- 117MA22 Standard

18 MISCELLANEOUS ACCESSORIES for Self Propelled Commode

- Quick Release Axles ----- 117AL1 \$110



| SEAT-TO-FLOOR HEIGHT MATRIX | | | | | |
|-----------------------------|-------|-------------|------|------------|-------|
| COMMODE TYPE | STF | CASTER HOLE | HOLE | REAR WHEEL | STF |
| | FRONT | | | SIZE | REAR |
| ATTENDENT PROP. | 16.50 | D | N/A | N/A | 16.50 |
| ATTENDENT PROP. | 17.50 | C | N/A | N/A | 17.50 |
| ATTENDENT PROP. | 18.50 | B | N/A | N/A | 18.50 |
| ATTENDENT PROP. | 19.50 | A | N/A | N/A | 19.50 |
| SELF PROPELLED | 16.25 | D | A | 20 | 15.75 |
| SELF PROPELLED | 17.25 | C | A | 22 | 16.50 |
| SELF PROPELLED | 18.25 | B | B | 20 | 17.75 |
| SELF PROPELLED | 18.25 | B | A | 24 | 17.50 |
| SELF PROPELLED | 19.25 | A | B | 22 | 18.50 |
| SELF PROPELLED | 19.50 | A | B | 24 | 19.25 |

WARRANTY
 Future Mobility Healthcare Inc. warrants its Aqua Commode to be free from defects in materials and workmanship for one (1) year from the date of purchase. The frame is warranted for two (2) years of the original purchaser/user and the upholstery for 90 days, upon normal usage by original purchaser. If within this warranty period the product shall be proven to be defective, such product shall be repaired or replaced, at the discretion of Future Mobility Healthcare Inc.