



Account Information		Order Date: _____	
Account #:	_____	P.O.#	_____
Business Name:	_____	Phone:	_____
Ship to Address:	_____	City:	_____
Fax:	_____	Province:	_____
Contact:	_____	Postal Code:	_____

④ FRAME TYPE

Commode Attendant Propelled Stainless Steel (white)----- 111C19 \$1,545

Commode Self Propelled Stainless Steel (white)----- 111C19S \$1,995

② SEAT WIDTH

17" Seat Width ----- 111SW17 No Charge

20" Seat Width ----- 111SW20 \$150

22" Seat Width ----- 111SW22 \$200

③ SEAT DEPTH

17" Seat Depth ----- 111SD17 No Charge

④ SEAT-TO-FLOOR HEIGHT (on attendant propelled commode)

16.5" ----- 111SF09 No Charge

17.5" ----- 111SF11 Standard

18.5" ----- 111SF13 No Charge

19.5" ----- 111SF15 No Charge

** Seat to Floor measure without seatpad. (Thickness 2.5")*

⑤ CASTER SIZE

5" x 2" PolyPropylene Caster ----- 111CW03 Standard

⑥ CASTER TYPE

Total Lock----- 111CT01 Standard

⑦ WHEEL SIZE for Self Propelled Commode

A 20" Composite Urethane Tires ----- 111RW03 No Charge

B 22" Composite Urethane Tires ----- 111RW04 Standard

C 24" Composite Urethane Tires ----- 111RW05 No Charge

⑧ HANDRIM OPTIONS for Self Propelled Commode

Chrome Plated ----- 111HR1 Standard

Plastic Coated ----- 111HR2 \$160

Omit Handrims ----- 111HR3 less net \$15

⑨ ARM TYPE

Cantilever Arm----- 111AR29 Standard

Flip Back Fixed Height----- 111AR23 \$250

⑩ PUSH OPTIONS

Stroller Handles ----- 111SH1 Standard

⑪ BACK OPTIONS

Slip on Mesh Back Support ----- 111BK46 Standard

Features:

Seat Width 17"
Seat Depth 17"
Adjustable Height Back
Slip on Back Support
Seat to Floor Height 16.5" to 19.5" adj. without tools
 on Attendant Propelled w/4 casters
Casters 5" - Total Lock - Stainless Steel
Cantilever Fixed Height Arm Supports
Removable Seat (Thickness 2.5")
Removable Pan Support
Removable Pan with lid
Finish - White Powder Coat



FOOTNOTES:

A. Seat to Floor with 20" wheels is 16" or 18"
B. Seat to Floor with 22" wheels is 17" or 19"
C. Seat to Floor with 24" wheels is 18" or 20"

12 SEAT OPTIONS

- Removable Seat ----- 111SO1 Standard
- Removable Pan Support ----- 111SO2 Standard
- Removable Pan with Lid ----- 111SO3 Standard

13 FRONT RIGGING

- 50 Degree Swingaway Stainless Steel (white)----- 111FR13 \$195
- 70 Degree Swingaway Stainless Steel (white)----- 111FR22 \$210

14 FOOTPLATE TYPE

- Composite Flip-Up Footplates----- 111FP02 No Charge
- Composite Adj Angle Flip-Up Footplate Spring Return----- 111FP04 \$150

15 FOOTREST/LEGREST ACCESSORIES

- Heel Loops ----- 111FA01 No Charge
- Omit Heel Loops ----- 111FA02 less net \$7

16 WHEEL LOCKS for Self Propelled Commode

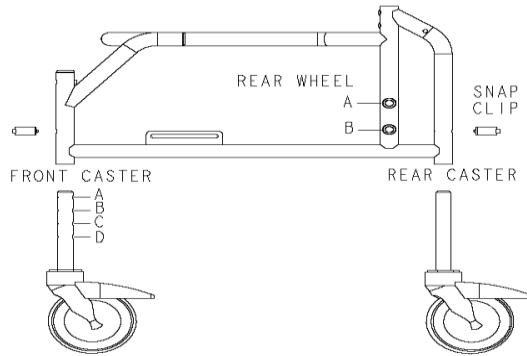
- Push-to-Lock Wheel Lock ----- 111WL1 Standard
- Wheel Lock Extension ----- 111WL3 \$35

17 ANTI TIP

- Rear Anti-Tippers ----- 111MA22 Standard

18 MISCELLANEOUS ACCESSORIES for Self Propelled Commode

- Quick Release Axles ----- 111AL1 \$110



SEAT-TO-FLOOR HEIGHT MATRIX					
COMMODE TYPE	STF	CASTER HOLE	REAR WHEEL	REAR WHEEL	STF
	FRONT		HOLE	SIZE	REAR
ATTENDANT PROP.	16.50	D	N/A	N/A	16.50
ATTENDANT PROP.	17.50	C	N/A	N/A	17.50
ATTENDANT PROP.	18.50	B	N/A	N/A	18.50
ATTENDANT PROP.	19.50	A	N/A	N/A	19.50
SELF PROPELLED	16.25	D	A	20	15.75
SELF PROPELLED	17.25	C	A	22	16.50
SELF PROPELLED	18.25	B	B	20	17.75
SELF PROPELLED	18.25	B	A	24	17.50
SELF PROPELLED	19.25	A	B	22	18.50
SELF PROPELLED	19.50	A	B	24	19.25

WARRANTY
 Future Mobility Healthcare Inc. warrants its Aqua Commode to be free from defects in materials and workmanship for one (1) year from the date of purchase. The frame is warranted for two (2) years of the original purchaser/user and the upholstery for 90 days, upon normal usage by original purchaser. If within this warranty period the product shall be proven to be defective, such product shall be repaired or replaced, at the discretion of Future Mobility Healthcare Inc.