



**FUTURE**  
MOBILITY HEALTHCARE INC.

2570 REV07 REV DATE: 03/03/2014

# **CABLES AND TRIGGERS**

# **PARTS MANUAL**

FUTURE MOBILITY HEALTHCARE APPRECIATES YOUR BUSINESS.  
OUR CUSTOMER SERVICE REPRESENTATIVES CAN BE CONTACTED AT:

**TO PLACE ORDERS:  
(905) 671-1661**

FOR YOUR CONVENIENCE YOU MAY ALSO PLACE ORDERS BY FAX AT:

**FAX: (905) 671-3377**

PLEASE VISIT OUR WEBSITE AT:

**[www.futuremobility.ca](http://www.futuremobility.ca)**

\*Part prices and configurations included in this Parts Manual are subject to change without prior notice.

\* All prices are shown as per unit individual price.

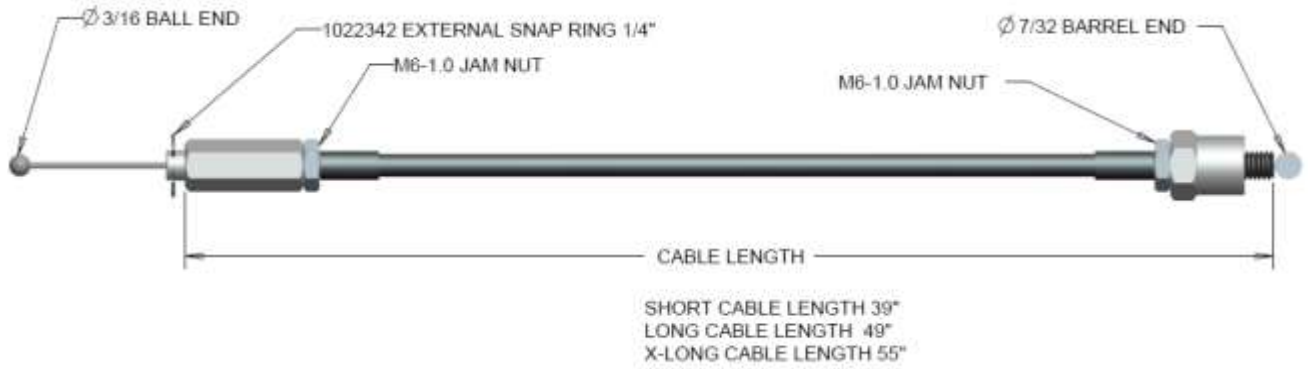
## Contents

<b>CABLES .....</b>	<b>5</b>
CABLE ASSEMBLY SINGLE .....	5
UNILATERAL CABLE ASSEMBLY SINGLE .....	5
LOOP CABLE ASSEMBLY SINGLE .....	5
CABLE ASSEMBLY SPLIT (9") .....	7
CABLE ASSEMBLY SPLIT (18") .....	7
SPLIT TILT STEP CABLE ASSEMBLY (9" AND 18" ) .....	9
<b>TRIGGER HANDLES .....</b>	<b>11</b>
STROLLER BAR TRIGGER HANDLE .....	11
PUSH CANE TRIGGER HANDLE .....	11

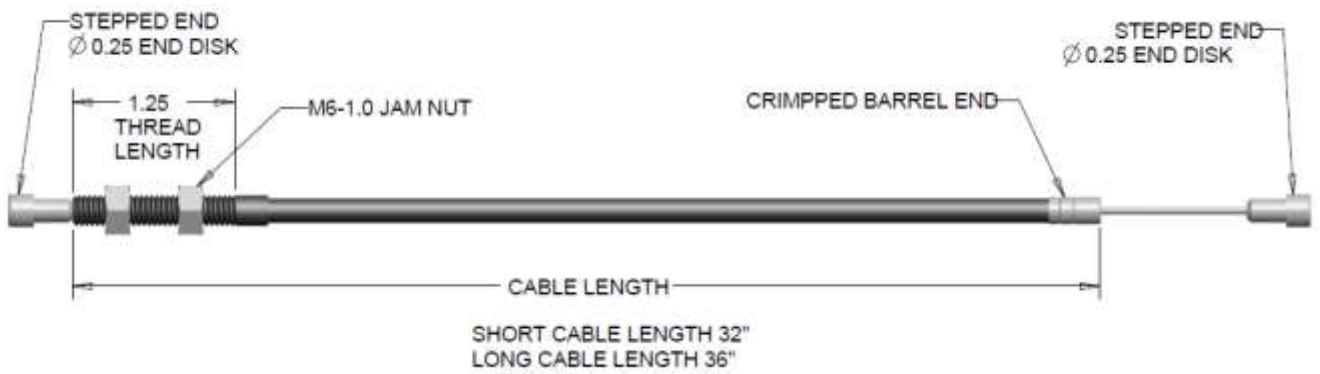


# CABLES

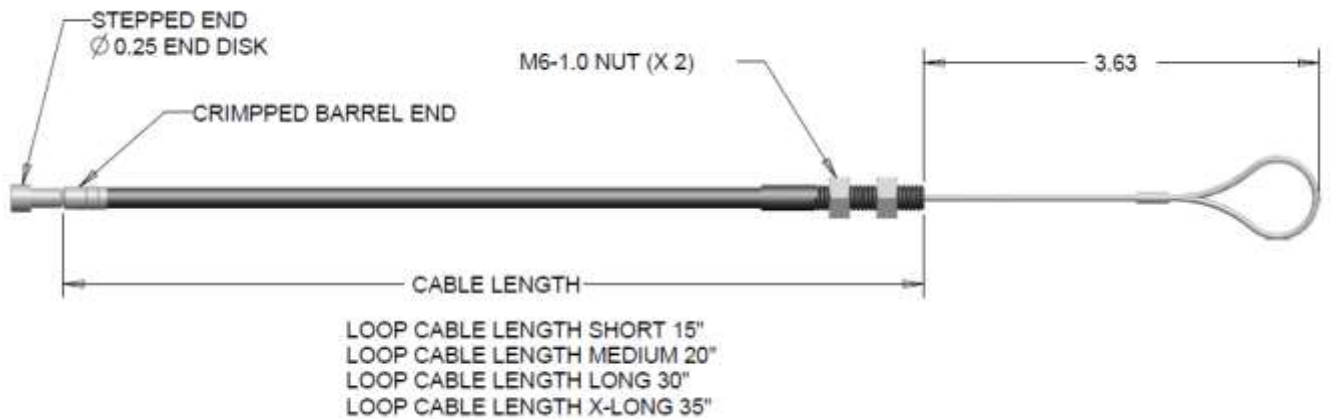
## CABLE ASSEMBLY SINGLE



## UNILATERAL CABLE ASSEMBLY SINGLE



## LOOP CABLE ASSEMBLY SINGLE



### CABLE ASSEMBLY SINGLE TABLE

ITEM	QTY	NOTES	PART NO.	DESCRIPTION	PRICE/ UNIT
1	1		1008929	CABLE ASSEMBLY SINGLE SHORT	\$90.00
	1		1008931	CABLE ASSEMBLY SINGLE LONG	\$93.00
	1		1010938	CABLE ASSEMBLY SINGLE X-LONG	\$96.00

#### NOTES:

USED ON CAPELLA, CAPELLA 45 AND ORION II WHEELCHAIRS

### UNILATERAL CABLE ASSEMBLY SINGLE TABLE

ITEM	QTY	NOTES	PART NO.	DESCRIPTION	PRICE/ UNIT
1	1		1021619	UNILATERAL CABLE ASSY SHORT SINGLE	\$95.00
	1		1021620	UNILATERAL CABLE ASSY LONG SINGLE	\$95.00

#### NOTES:

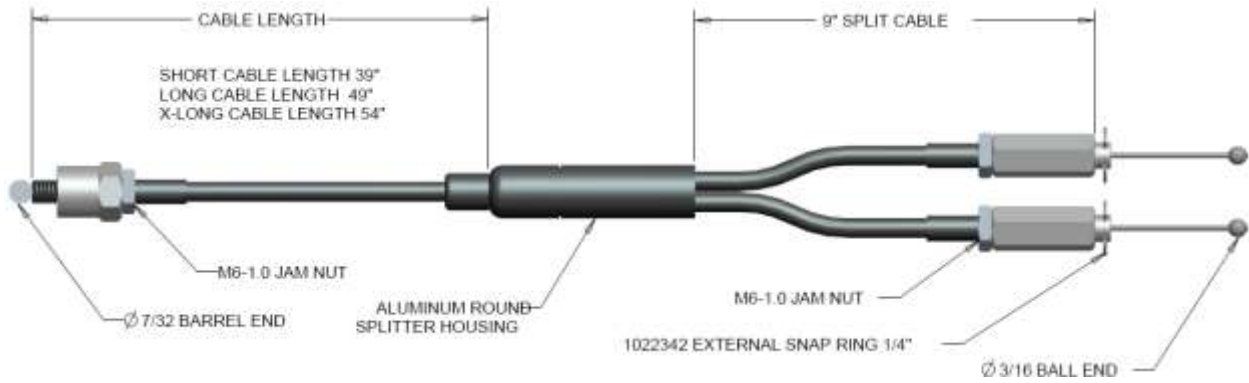
### UNILATERAL CABLE ASSEMBLY SINGLE TABLE

ITEM	QTY	NOTES	PART NO.	DESCRIPTION	PRICE/ UNIT
1	1		1021445	LOOP CABLE ASSY SHORT SINGLE 15"(M)	\$82.00
	1		1021446	LOOP CABLE ASSY MEDIUM SINGLE 20"	\$82.00
	1		1021707	LOOP CABLE ASSY LONG SINGLE 30"	\$86.00
	1		1021708	LOOP CABLE ASSY X-LONG SINGLE 35"	\$86.00

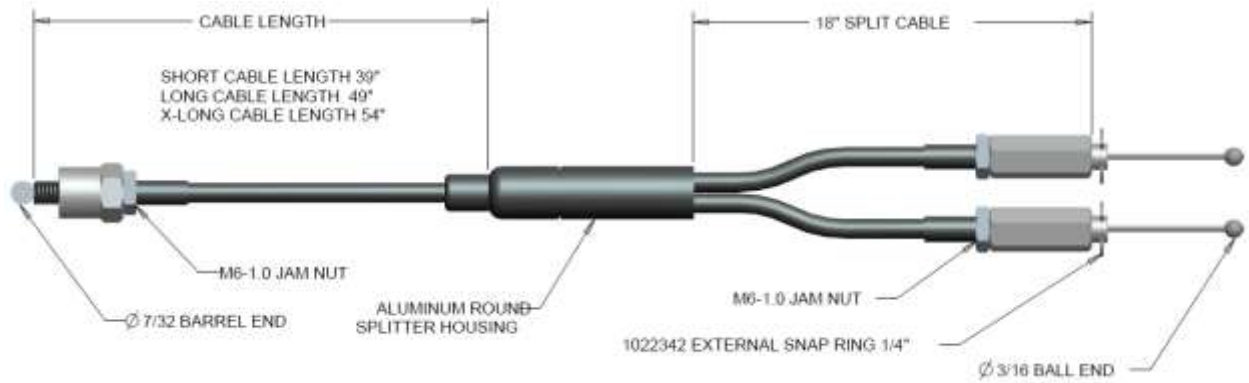
#### NOTES:

USED ON CAPELLA, CAPELLA 45 AND ORION II WHEELCHAIRS

## CABLE ASSEMBLY SPLIT (9")



## CABLE ASSEMBLY SPLIT (18")



### CABLE ASSEMBLY SPLIT (9") TABLE

ITEM	QTY	NOTES	PART NO.	DESCRIPTION	PRICE/ UNIT
1	1		1008930	9" SPLIT CABLE ASSEMBLY SHORT	\$120.00
	1		1008932	9" SPLIT CABLE ASSEMBLY LONG	\$123.00
	1		1010936	9" SPLIT CABLE ASSEMBLY X-LONG	\$126.00

**NOTES:**

**USED ON CAPELLA 45 AND ORION II WHEELCHAIRS**

### CABLE ASSEMBLY SPLIT (18") TABLE

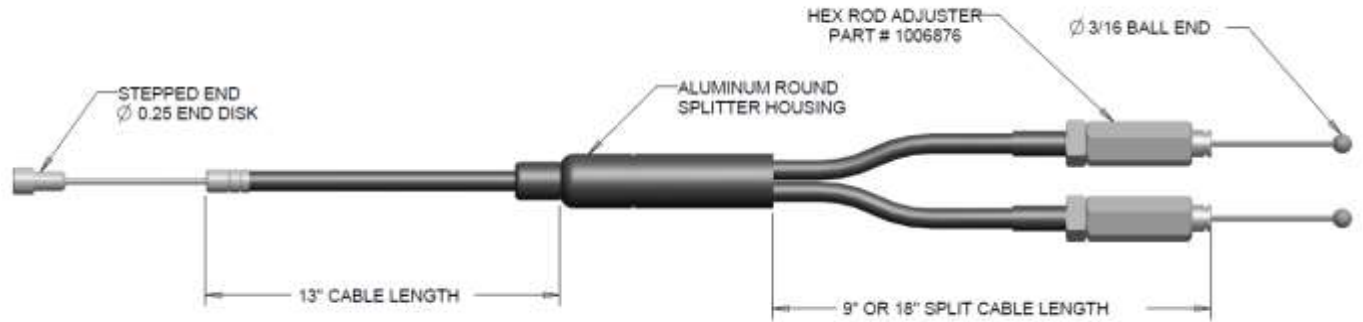
ITEM	QTY	NOTES	PART NO.	DESCRIPTION	PRICE/ UNIT
1	1		1015331	18" SPLIT CABLE ASSEMBLY SHORT	\$120.00
	1		1015332	18" SPLIT CABLE ASSEMBLY MED	\$123.00
	1		1015349	18" SPLIT CABLE ASSEMBLY LONG	\$126.00

**NOTES:**

**USED ON CAPELLA AND ORION 500 WHEELCHAIRS**



## SPLIT TILT STEP CABLE ASSEMBLY (9" AND 18" )



## SPLIT TILT STEP CABLE (9" AND 18") TABLE

ITEM	QTY	NOTES	PART NO.	DESCRIPTION	PRICE/ UNIT
1	1		1021487	SPLIT TILT STEP CABLE SHORT (9") (M)	\$117.00
	1		1021490	SPLIT TILT STEP CABLE SHORT (18")	\$120.00

### NOTES:

USED ON CAPELLA, CAPELLA 45 AND ORION II WHEELCHAIRS

## **TRIGGER HANDLES**

### **STROLLER BAR TRIGGER HANDLE**



### **PUSH CANE TRIGGER HANDLE**



## STROLLER BAR TRIGGER HANDLE TABLE

ITEM	QTY	NOTES	PART NO.	DESCRIPTION	PRICE/ UNIT
1	1		1010692	STROLLER BAR TRIGGER HANDLE	\$35.00
	1		1021499	STROLLER BAR TRIGGER HANDLE WITH LOCKING PIN	\$40.00

### NOTES:

## PUSH CANE TRIGGER HANDLE TABLE

ITEM	QTY	NOTES	PART NO.	DESCRIPTION	PRICE/ UNIT
1	1		1008926	PUSH CANE TRIGGER HANDLE	\$35.00
	1		1021500	PUSH CANE TRIGGER HANDLE WITH LOCKING PIN	\$40.00

### NOTES: