



FUTURE

MOBILITY HEALTHCARE INC.

ANTI-TIPS

PARTS MANUAL

FUTURE MOBILITY HEALTHCARE APPRECIATES YOUR BUSINESS.
OUR CUSTOMER SERVICE REPRESENTATIVES CAN BE CONTACTED AT:

**TO PLACE ORDERS:
(905) 671-1661**

FOR YOUR CONVENIENCE YOU MAY ALSO PLACE ORDERS BY FAX AT:

FAX: (905) 671-3377

PLEASE VISIT OUR WEBSITE AT:

www.futuremobility.ca

*Part prices and configurations included in this Parts Manual are subject to change without prior notice.

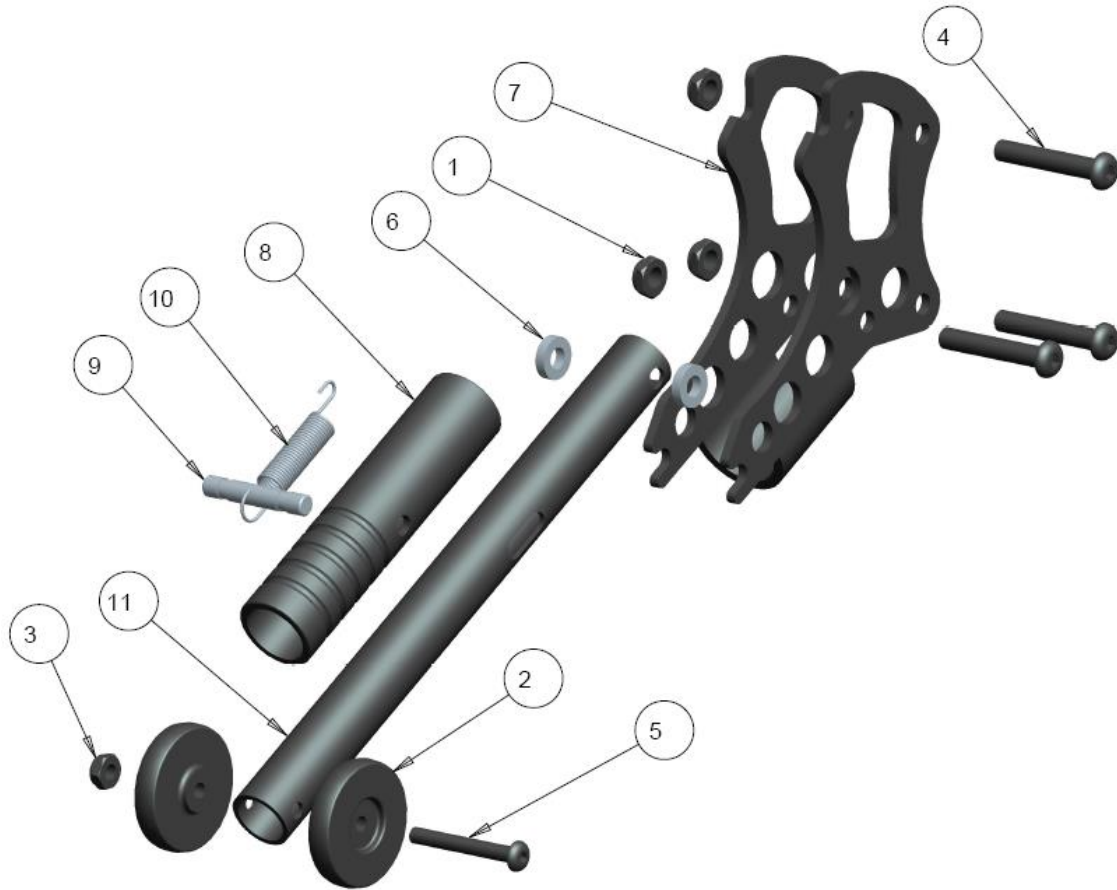
* All prices are shown as per unit individual price.

Contents

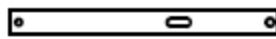
ANTI-TIPS	5
QUICK-FLIP ANTI-TIPS	5
FORMED END ANTI-TIPS	7
BASIC ANTI-TIPS	9
SIMPLE ANTI-TIPS.....	11
HEAVY DUTY ANTI-TIPS.....	13

ANTI-TIPS

QUICK-FLIP ANTI-TIPS



SHORT (1012830)



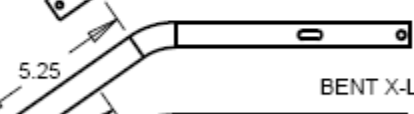
BENT SHORT (1013534)



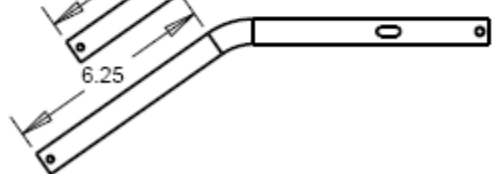
BENT MEDIUM (1010290)



BENT LONG (1025203)



BENT X-LONG (1025205)



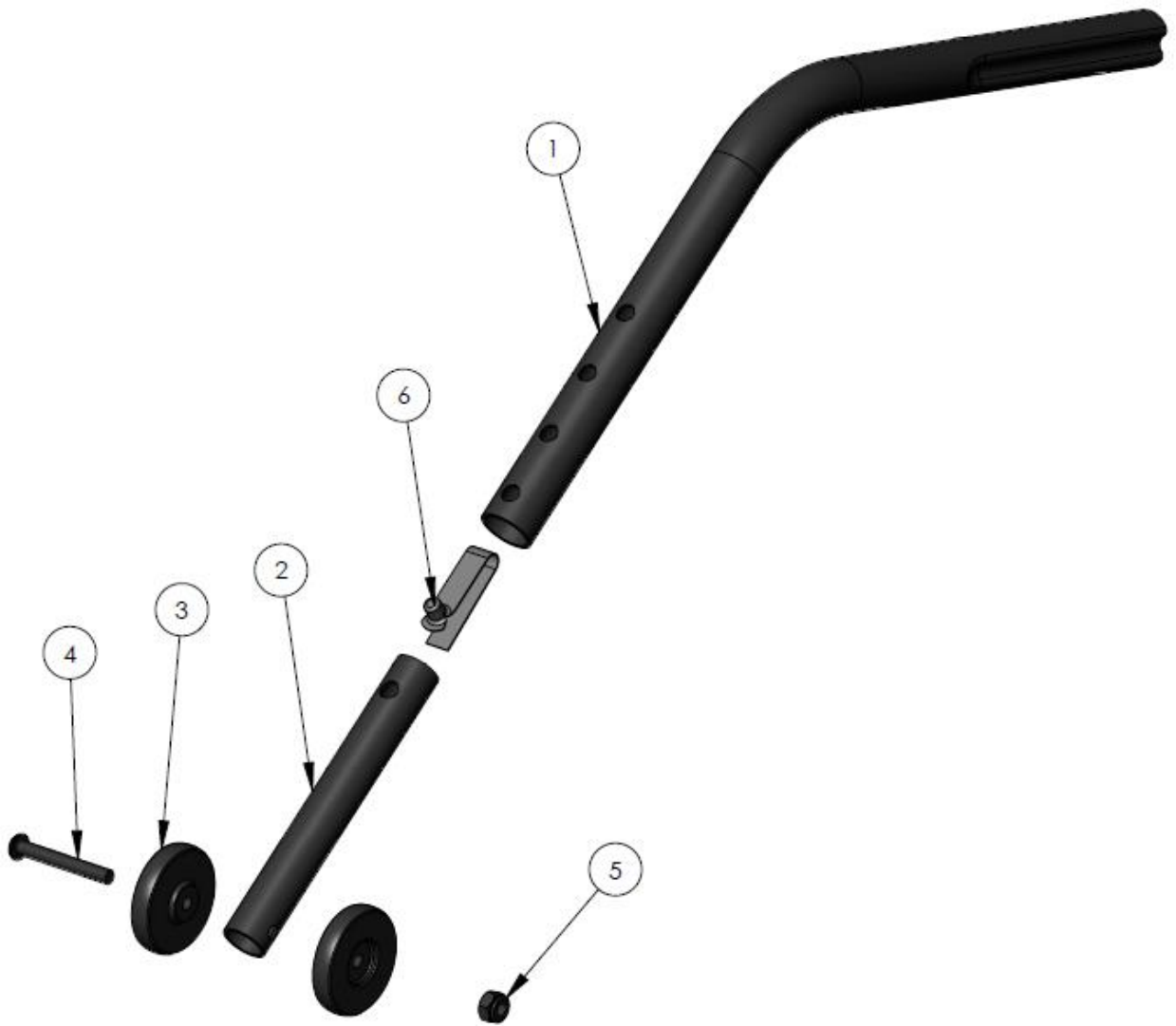
QUICK-FLIP ANTI-TIPS TABLE

ITEM	QTY	NOTES	PART NO.	DESCRIPTION	PRICE/ PER UNIT
1	3		1000397	NUT, HEX-NYLOCK THIN, 1/4-20NC	\$2.00
2	2		1000408	WHEEL, ANTI-TIP	\$4.17
3	1		1000410	NUT, HEX-NYLOCK THIN, #10-32NF, BLK	\$2.00
4	3		1000493	SCREW, SOCKET HEAD BUTTON 1/4-20 X 1.50	\$3.00
5	1		1000972	SCREW, SOCKET HEAD BUTTON #10/32X 1 1/2	\$3.00
6	2		1001766	SPACER, NYLON 1/4 OD .50 ID .257 THK .125	\$2.00
7	1	A	1007137	ANTI-TIP FRAME MOUNT, FORMED	\$52.00
	1	B	1024988	LONG ANTI-TIP FRAME MOUNT, FORMED	\$52.00
8	1		1010284	OUTER SLIDE TUBE, ANTI-TIP	\$25.00
9	1		1010285	LOCKING PIN, ANTI-TIP	\$8.00
10	1		1010286	SPRING, EXT .355 OD X 1.10 LG .04 WIRE	\$5.00
11	1		1012830	MAIN TUBE SHORT, ANTI-TIP	\$31.00
	1		1013534	MAIN TUBE SHORT BENT, ANTI-TIP	\$31.00
	1		1010290	MAIN TUBE MEDIUM BENT, ANTI-TIP	\$31.00
	1		1025203	MAIN TUBE LONG BENT, ANTI-TIP	\$31.00
	1		1025205	MAIN TUBE X-LONG BENT, ANTI-TIP	\$31.00
	1		1018021	STEEL MAIN TUBE SHORT, ANTI-TIP	\$36.00
	1		1018022	STEEL MAIN TUBE SHORT BENT, ANTI-TIP	\$36.00
	1		1018026	STEEL MAIN TUBE MEDIUM BENT, ANTI-TIP	\$36.00
	1		1027167	STEEL MAIN TUBE LONG BENT, ANTI-TIP	\$36.00
	1		1027170	STEEL MAIN TUBE X-LONG BENT, ANTI-TIP	\$36.00
	1	A	1012828	KIT, QUICK-FLIP ANTI-TIP SHORT ASSY (ITEMS 1-11)	\$190.00
	1	A	1014146	KIT, QUICK-FLIP ANTI-TIP SHORT-BENT ASSY (ITEMS 1-11)	\$190.00
	1	A	1013432	KIT, QUICK-FLIP ANTI-TIP BENT-MEDIUM ASSY (ITEMS 1-11)	\$190.00
	1	A	1026788	KIT, QUICK-FLIP ANTI-TIP BENT-LONG ASSY (ITEMS 1-11)	\$190.00
	1	A	1026789	KIT, QUICK-FLIP ANTI-TIP BENT-X-LONG ASSY (ITEMS 1-11)	\$190.00
	1	B	1024989	KIT, QUICK-FLIP ANTI-TIP SHORT PLUS ASSY (ITEMS 1-11)	\$145.00
	1	B	1024990	KIT, QUICK-FLIP ANTI-TIP SHORT-BENT PLUS ASSY (ITEMS 1-11)	\$190.00
	1	B	1024991	KIT, QUICK-FLIP ANTI-TIP BENT-MEDIUM PLUS ASSY (ITEMS 1-11)	\$190.00
	1	B	1025202	KIT, QUICK-FLIP ANTI-TIP BENT-LONG ASSY PLUS (ITEMS 1-11)	\$190.00
	1	B	1025204	KIT, QUICK-FLIP ANTI-TIP BENT-X-LONG ASSY PLUS (ITEMS 1-11)	\$195.00
	1	A	1021513	KIT, STEEL QUICK-FLIP ANTI-TIP SHORT ASSY (ITEMS 1-11)	\$195.00
	1	A	1021514	KIT, STEEL QUICK-FLIP ANTI-TIP SHORT-BENT ASSY (ITEMS 1-11)	\$195.00
	1	A	1021515	KIT, STEEL QUICK-FLIP ANTI-TIP BENT-MEDIUM ASSY (ITEMS 1-11)	\$195.00
	2	A	1027172	KIT, STEEL QUICK-FLIP ANTI-TIP BENT-LONG ASSY (ITEMS 1-11)	\$195.00
	3	A	1027173	KIT, STEEL QUICK-FLIP ANTI-TIP BENT-X-LONG ASSY (ITEMS 1-11)	\$195.00
		B23385-23422			

NOTES:

- A- USE ANTI-TIP FRAME MOUNT FOR THE QUICK FLIP ANTI-TIP ASS'YS
- B- USE LONG ANTI-TIP FRAME MOUNT FOR THE QUICK FLIP ANTI-TIP PLUS ASS'YS

FORMED END ANTI-TIPS

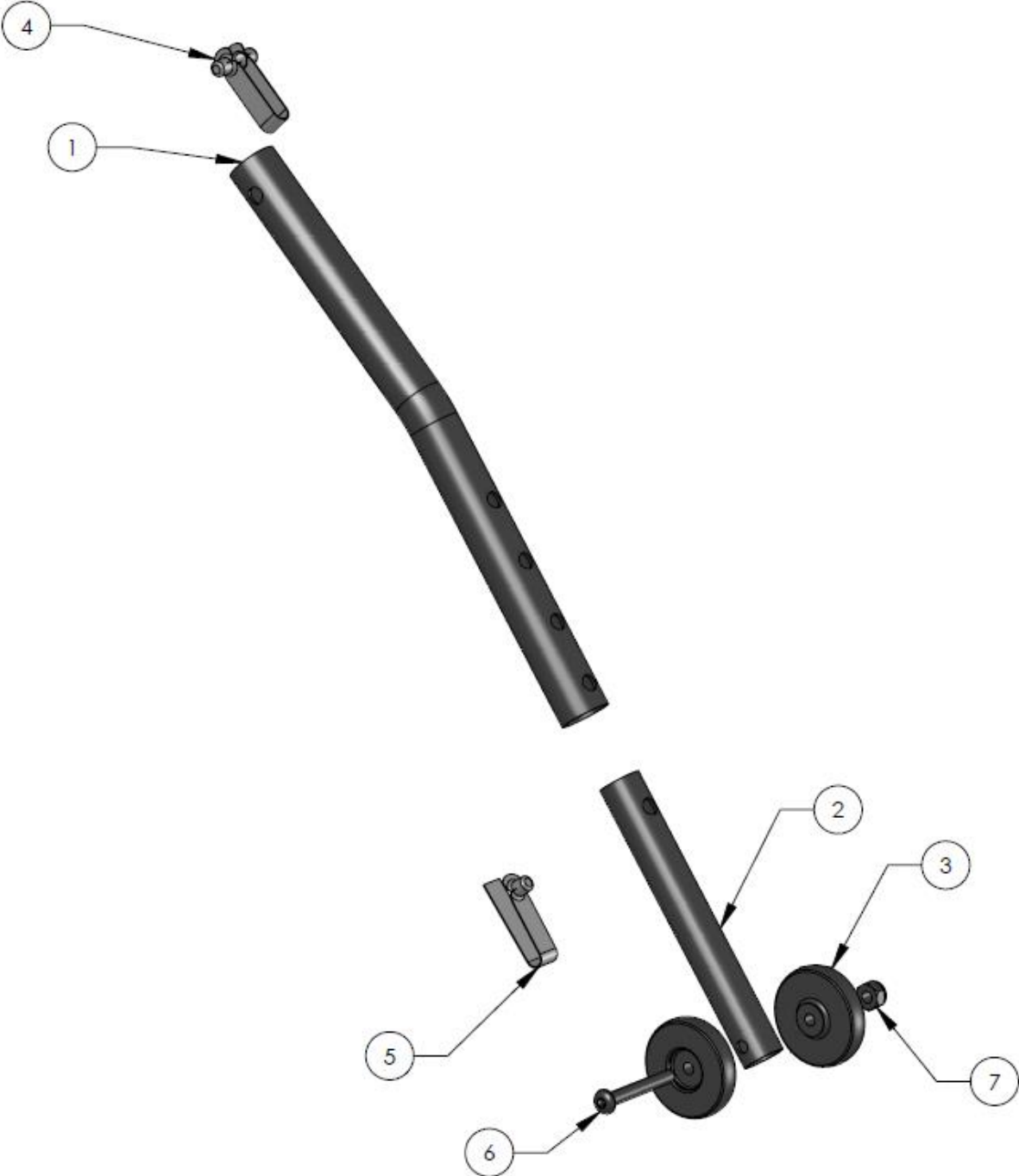


FORMED END ANTI-TIPS – TABLE

ITEM	QTY	NOTES	PART NO.	DESCRIPTION	PRICE/ PER UNIT
1	1		1000450	TUBE ANTI-TIP, LONG	\$30.00
	1		1000444	TUBE ANTI-TIP, SHORT	\$30.00
	1		1003283	TUBE ANTI-TIP, X-SHORT	\$42.00
2	1		1000445	TUBE, ANTI-TIP SLIDE	\$18.00
3	2		1000408	WHEEL, ANTI TIP	\$4.17
4	1		1000972	SCREW, SOCKET HEAD BUTTON, #10-32 X 1 1/2 BLACK	\$3.00
5	1		1000194	NUT, HEX-NYLOCK #10-32, BLACK	\$2.50
6	1		1000447	BUTTON, SPRING SINGLE	\$3.00
	1		1021506	KIT, COMPLETE ANTI-TIP LONG ASS'Y (ITEMS 1-6)	\$56.00
	1		1021507	KIT, COMPLETE ANTI-TIP SHORT ASS'Y (ITEMS 1-6)	\$56.00
	1		1021508	KIT, COMPLETE ANTI-TIP X-SHORT ASS'Y (ITEMS 1-6)	\$56.00
		B23430- 23442			

NOTES:

BASIC ANTI-TIPS

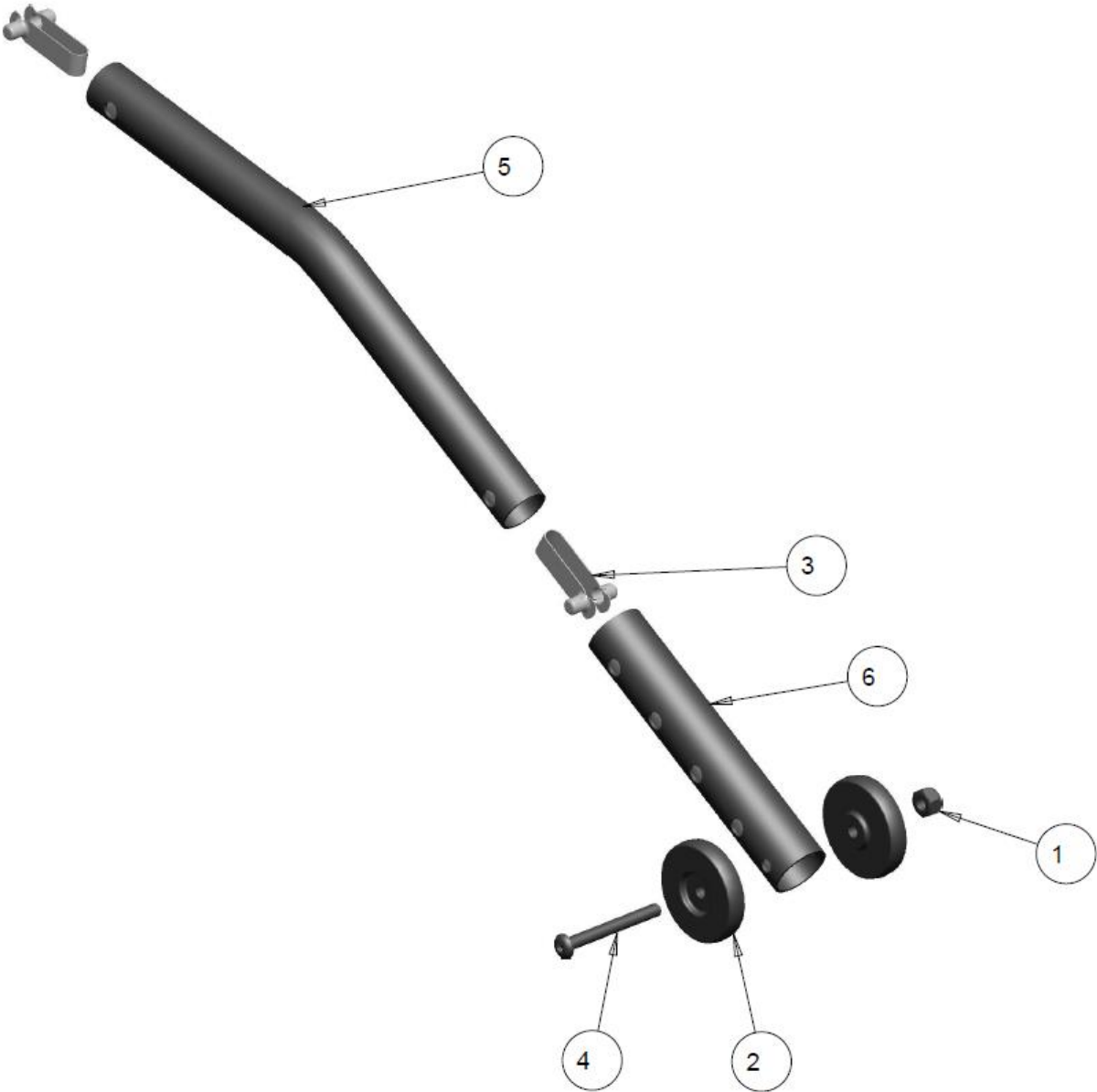


BASIC ANTI-TIPS – TABLE

ITEM	QTY	NOTES	PART NO.	DESCRIPTION	PRICE/ PER UNIT
1	1		1003814	TUBE ANTI-TIP, SHORT	\$26.00
			1006352	TUBE ANTI-TIP, MEDIUM	\$26.00
			1003813	TUBE ANTI-TIP, LONG	\$27.00
			1015353	TUBE ANTI-TIP, X-LONG	\$28.00
2	1		1000445	TUBE, ANTI-TIP SLIDE	\$18.00
3	2		1000408	WHEEL, ANTI TIP	\$4.17
4	1		1000448	BUTTON, SPRING DOUBLE	\$3.50
5	1		1000447	BUTTON, SPRING SINGLE	\$3.00
6	1		1000972	SCREW, SOCKET HEAD BUTTON, #10-32 X 1 1/2 BLACK	\$3.00
7	1		1000194	NUT, HEX-NYLOCK #10-32, BLACK	\$2.50
	1		1021509	KIT, COMPLETE BASIC ANTI-TIP SHORT (ITEMS 1-7)	\$56.00
	1		1021510	KIT, COMPLETE BASIC ANTI-TIP MEDIUM (ITEMS 1-7)	\$56.00
	1		1021511	KIT, COMPLETE BASIC ANTI-TIP LONG (ITEMS 1-7)	\$57.00
	1		1021512	KIT, COMPLETE BASIC ANTI-TIP X-LONG (ITEMS 1-7)	\$58.00
		B23465-23480			

NOTES

SIMPLE ANTI-TIPS

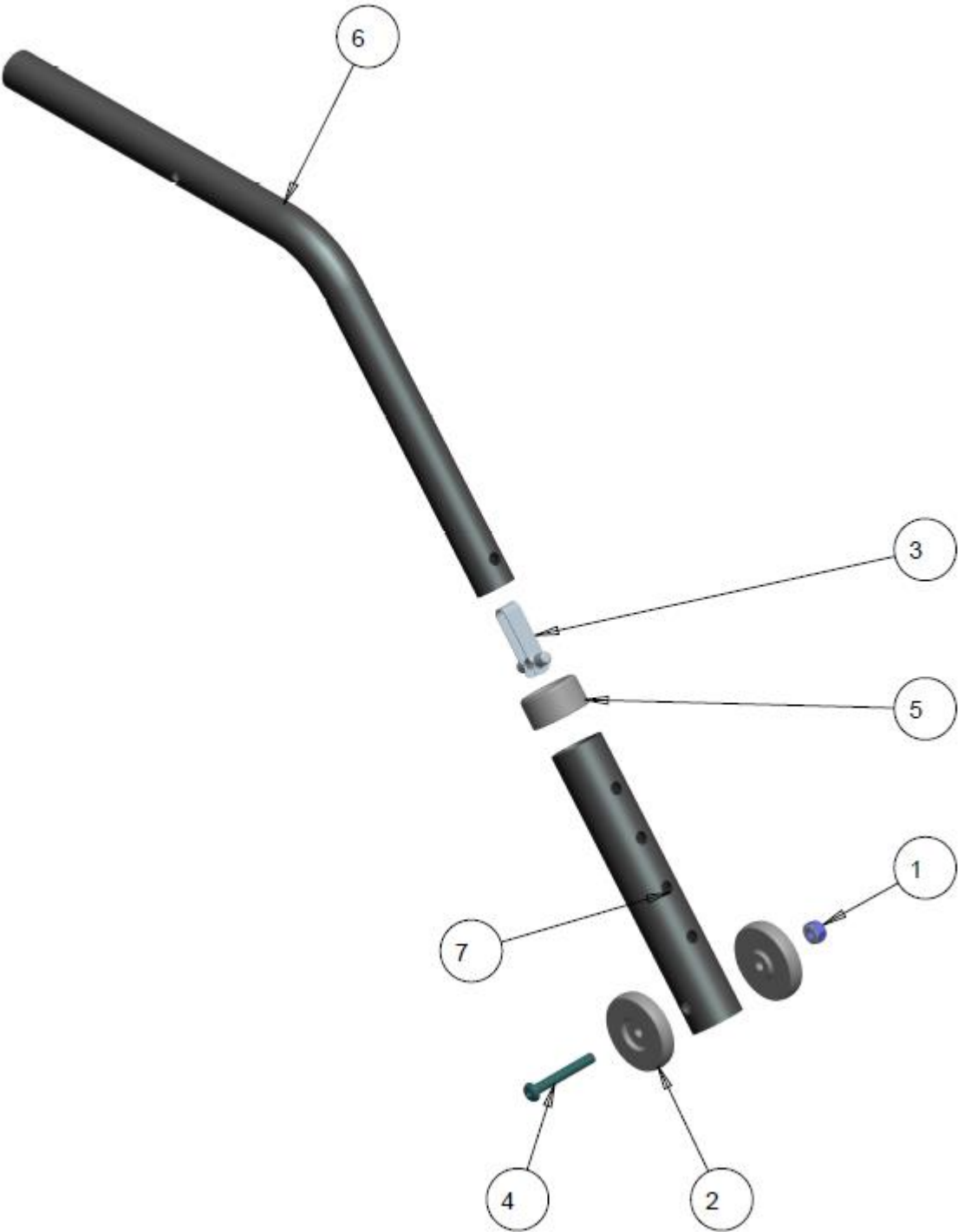


SIMPLE ANTI-TIPS – TABLE

ITEM	QTY	NOTES	PART NO.	DESCRIPTION	PRICE/ PER UNIT
1	1		1000194	NUT, HEX-NYLOCK, #10-32NF, BLK	\$2.50
2	2		1000408	WHEEL, ANTI-TIP	\$4.17
3	2		1000448	VALCO DOUBLE ENDED SNAP BUTTON	\$3.50
4	1		1001316	SCREW, SOCKET HEAD BUTTON #10/32X 1.75	\$3.00
5	1		1003814	ANTI-TIP TUBE SHORT	\$26.00
	1		1006352	ANTI-TIP TUBE MEDIUM	\$26.00
	1		1003813	ANTI-TIP TUBE LONG	\$27.00
	1		1015353	ANTI-TIP TUBE X-LONG	\$28.00
6	1		1027786	ANTI-TIP SLIDE TUBE OUTER	\$18.00
	1		1027788	KIT, COMPLETE SIMPLE ANTI-TIP SHORT (ITEMS 1-6)	\$55.00
	1		1027789	KIT, COMPLETE SIMPLE ANTI-TIP MEDIUM (ITEMS 1-6)	\$55.00
	1		1027790	KIT, COMPLETE SIMPLE ANTI-TIP LONG (ITEMS 1-6)	\$56.00
	1		1027791	KIT, COMPLETE SIMPLE ANTI-TIP X-LONG (ITEMS 1-6)	\$57.00
		B23500-23515			

NOTES

HEAVY DUTY ANTI-TIPS



HEAVY DUTY ANTI-TIPS – TABLE

ITEM	QTY	NOTES	PART NO.	DESCRIPTION	PRICE/ PER UNIT
1	1		1000194	NUT, HEX-NYLOCK, #10-32NF, BLK	\$2.50
2	2		1000408	WHEEL, ANTI-TIP	\$4.17
3	1		1000448	VALCO SNAP BUTTON DOUBLE END	\$3.50
4	1		1000972	SCREW, SOCKET HEAD BUTTON #10/32X 1 1/2	\$3.00
5	1		1006834	GLIDE BUSHING 1.00 TO 0.75 SIMPLE	\$5.00
6	1		1024895	ANTI-TIPPER HEAVY DUTY	\$34.00
7	1		1024896	HEAVY DUTY STEM ANTI-TIPPER	\$23.00
	1		1024897	KIT, ANTI TIPPER ASSEMBLY (ITEMS 1-7)	\$57.00
		B23535- 23544			

NOTES: