

**PARTS MANUAL**

FUTURE MOBILITY HEALTHCARE APPRECIATES YOUR BUSINESS.  
OUR CUSTOMER SERVICE REPRESENTATIVES CAN BE CONTACTED AT:

**TO PLACE ORDERS:  
(905) 671-1661**

FOR YOUR CONVENIENCE YOU MAY ALSO PLACE ORDERS BY FAX AT:

**FAX: (905) 671-3377**

PLEASE VISIT OUR WEBSITE AT:

**[www.futuremobility.ca](http://www.futuremobility.ca)**

\*Part prices and configurations included in this Parts Manual are subject to change without prior notice.

\* All prices are shown as per unit individual price.

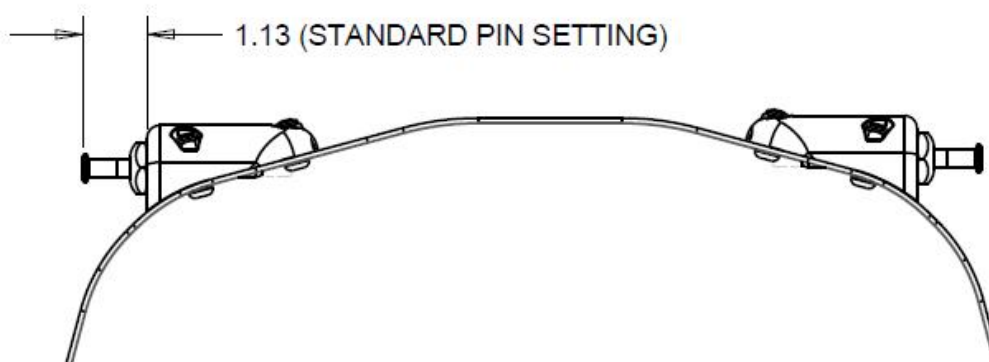
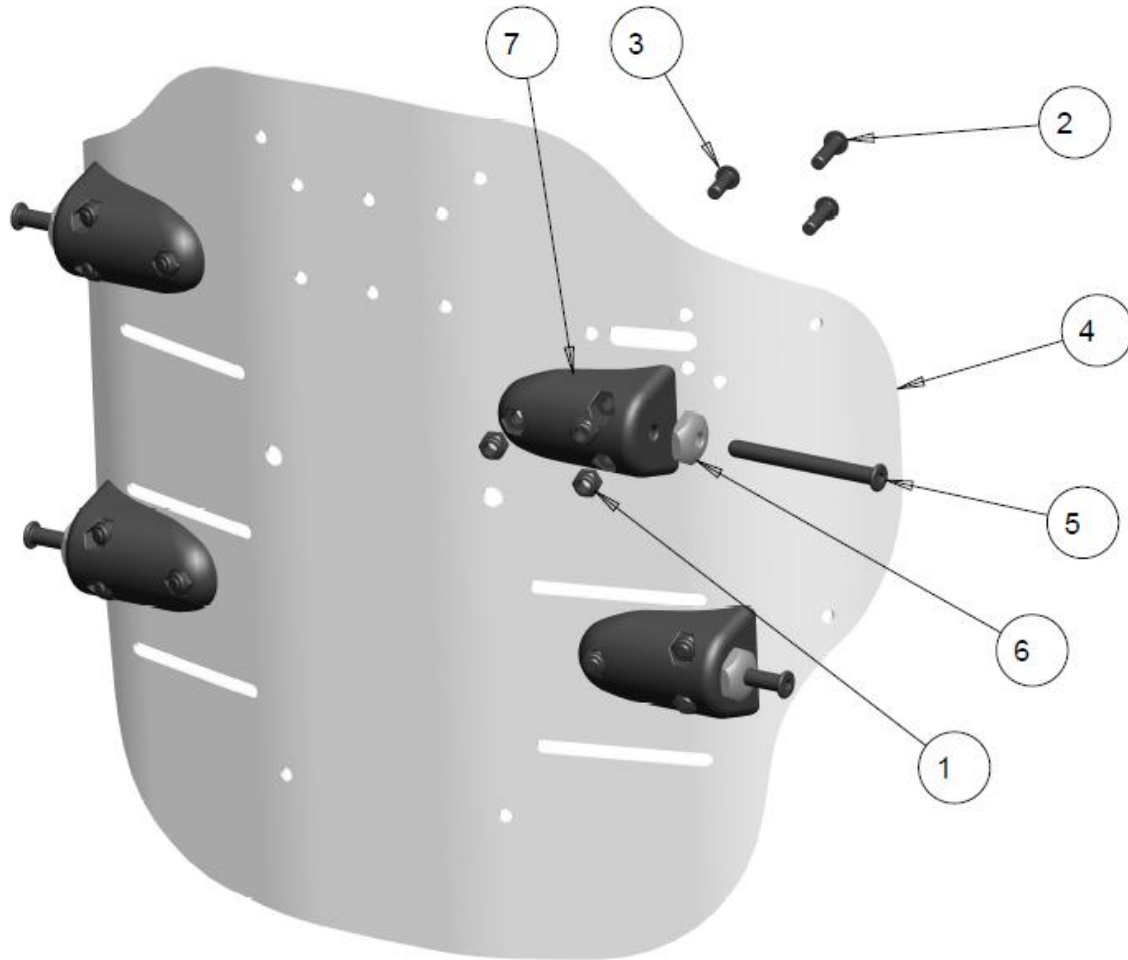
## Contents

LUNAR BACK.....	5
<b>LUNAR BACK PIN HARDWARE .....</b>	<b>5</b>
<b>LUNAR BACK RESETTING MOUNTING BRACKET LT .....</b>	<b>7</b>
<b>LUNAR BACK RESETTING MOUNTING BRACKET RT .....</b>	<b>9</b>
<b>PADDED FIXED LATERAL SUPPORT .....</b>	<b>11</b>
<b>PADDED FIXED OFFSET LATERAL SUPPORT RT/LT .....</b>	<b>11</b>
<b>PADDED HEIGHT ADJUSTABLE LATERAL SUPPORT .....</b>	<b>13</b>
<b>PADDED SWINGAWAY LATERAL SUPPORT .....</b>	<b>13</b>



# LUNAR BACK

## LUNAR BACK PIN HARDWARE

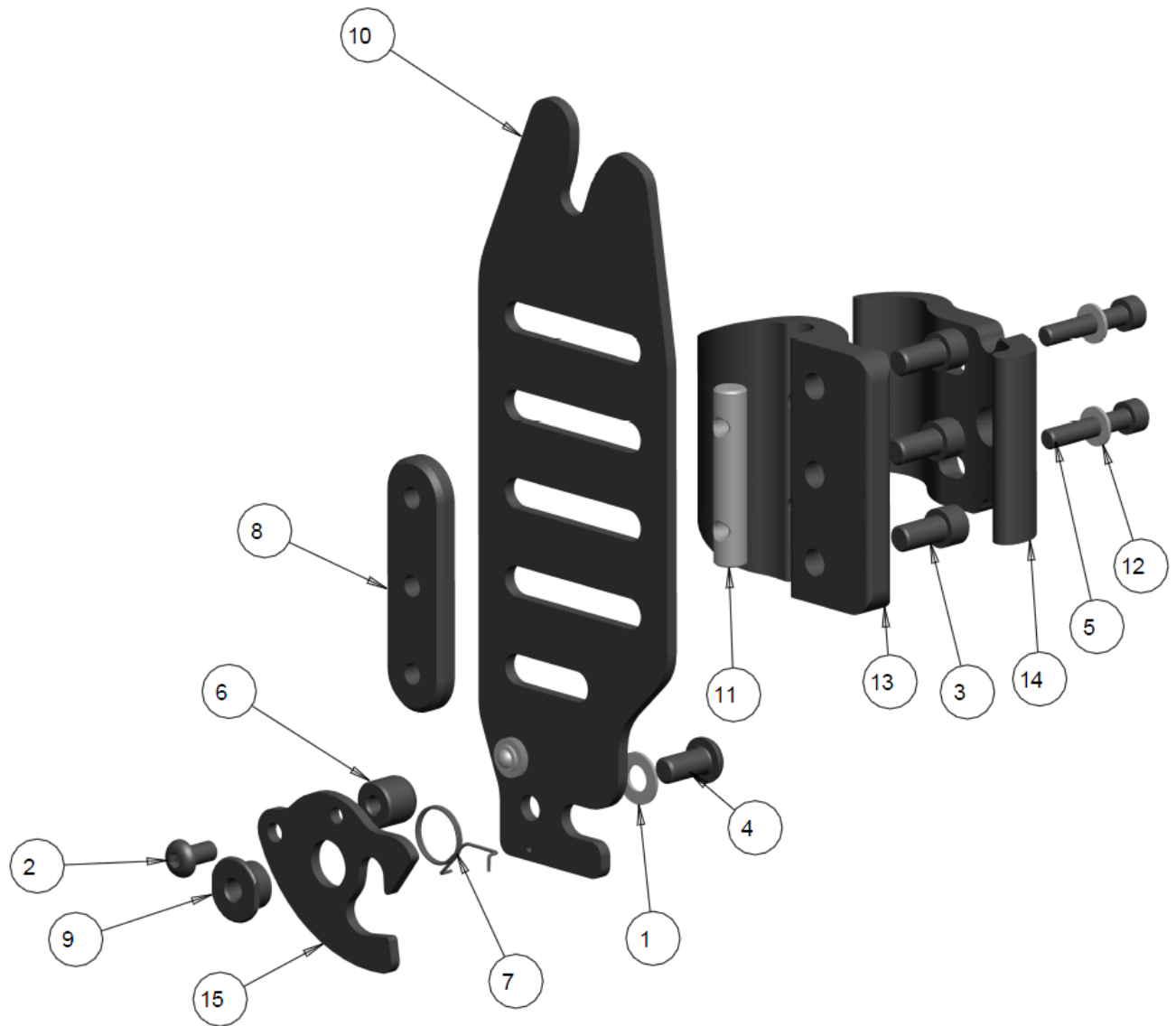


## LUNAR BACK PIN HARDWARE TABLE

ITEM	NOTES	QTY	PART NO.	DESCRIPTION	PRICE/ UNIT
1		12	1000014	NUT, HEX, NYLOCK 1/4-20NC	\$2.00
2		8	1001381	SCREW, SOCKET HEAD BUTTON, 1/4-20NC X 1	\$3.00
3		4	1001391	SCREW, SOCKET HEAD BUTTON, 1/4-20NC X 3/4	\$3.00
4		1	REF	GENERAL LUNAR BACK SHELL	
5		4	1012611	LUNAR SHELL BRACKET PIN	\$12.00
6		4	1012612	LOCK COLLAR BACK PINS	\$9.00
7		4	1012666	INJECTED MOUNTING BLOCK- LUNAR BACK	\$16.00

### NOTES:

# LUNAR BACK RESETTING MOUNTING BRACKET LT



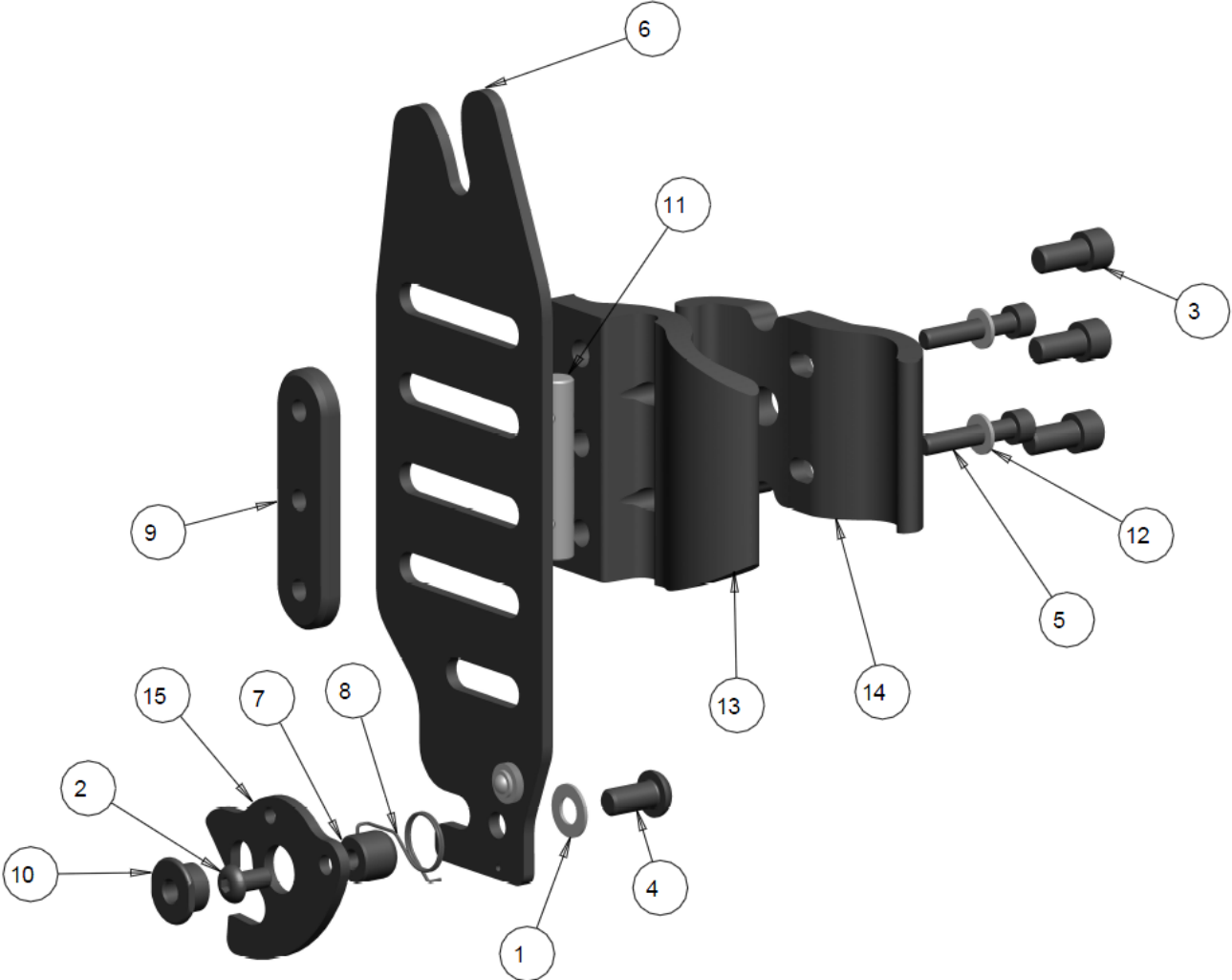
## LUNAR BACK RESETTING MOUNTING BRACKET LT TABLE

ITEM	NOTES	QTY	PART NO.	DESCRIPTION	PRICE/ UNIT
1		1	1000027	WASHER FLAT 1/4", ID .257, OD 0.50, THK .032	\$1.50
2		1	1000226	SCREW SOC BUTTON HEAD #10-32 X 0.375	\$3.00
3		3	1000403	SCREW, SOC HD CAP, 1/4-20 X 0.5	\$3.00
4		1	1000411	SCREW,SOC BUTTON HEAD 1/4-20 X 0.500	\$3.00
5		2	1002721	SCREW, SOCKET HEAD CAP, 10-32NF X 1	\$3.00
6		1	1004837	MACHINED KNOB	\$8.00
7		1	1004838	TORSION SPRING-LT	\$2.50
8		1	1004840	BACKING PLATE	\$12.00
9		1	1005795	FLANGE SPACER	\$10.00
10		1	1005798	MOUNTING PLATE ASSY LEFT SIDE	\$45.00
11		1	1012282	CLAMP PIVOT ROD	\$7.00
12		2	1012283	WASHER FLAT #10 ID .194 OD .375 THK .0038	\$1.50
13		1	1012616	MAIN INNER STANDARD CLAMP	\$42.00
14		1	1012617	MAIN OUTER STANDARD CLAMP	\$42.00
15		1	1012762	RESETTING LATCH - BACK SHELL	\$9.00
	A	1	1021504	KIT, RESETTING BACK MOUNTING HARDWARE LT (ITEMS 1-15)	\$184.00

**NOTES: A- WILL ALSO WORK FOR PRISM BACK LINE BACK SHELLS**



# LUNAR BACK RESETTING MOUNTING BRACKET RT

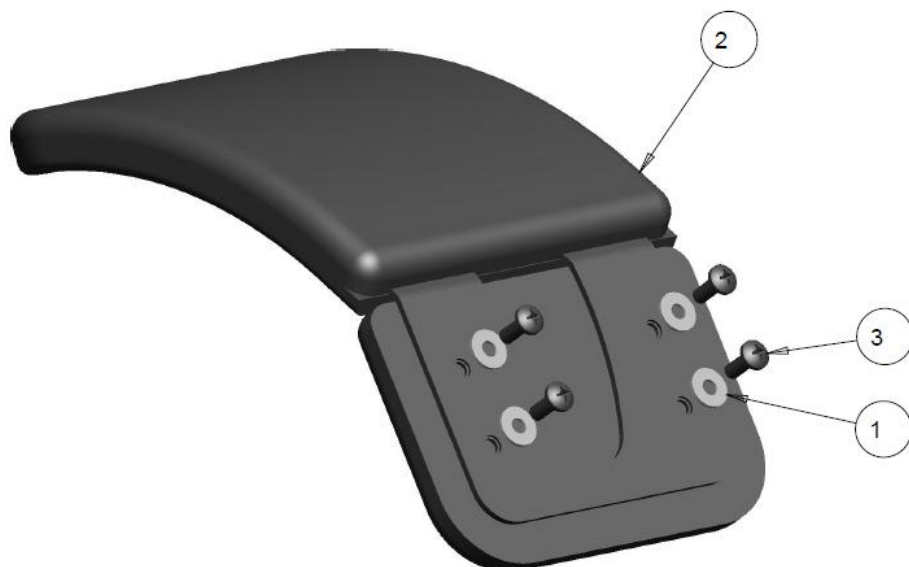


## LUNAR BACK RESETTING MOUNTING BRACKET RT TABLE

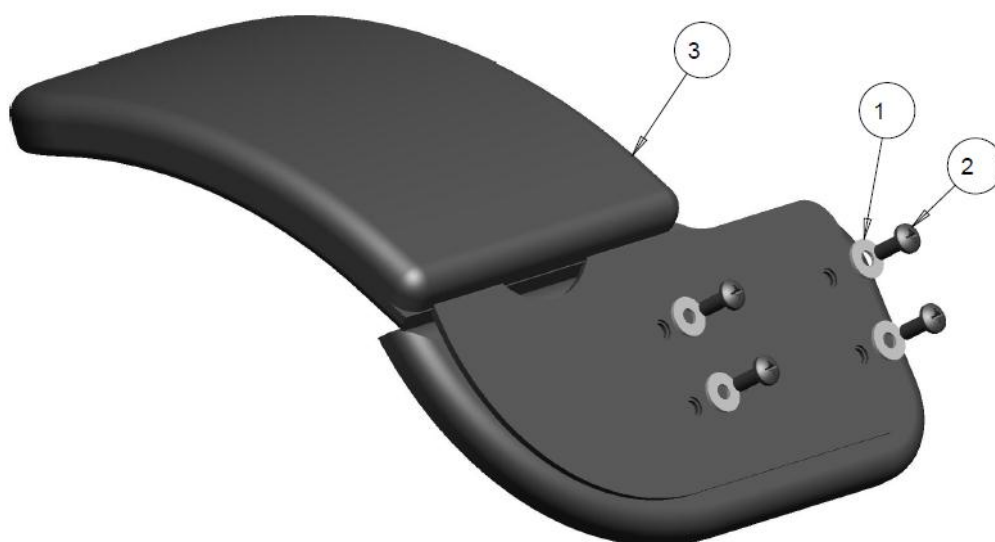
ITEM	NOTES	QTY	PART NO.	DESCRIPTION	PRICE/ UNIT
1		1	1000027	WASHER FLAT 1/4", ID .257, OD 0.50, THK .032	\$1.50
2		1	1000226	SCREW SOC BUTTON HEAD #10-32 X 0.375	\$3.00
3		3	1000403	SCREW, SOC HD CAP, 1/4-20 X 0.5	\$3.00
4		1	1000411	SCREW, SOC BUTTON HEAD 1/4-20 X 0.500	\$3.00
5		2	1002721	SCREW, SOCKET HEAD CAP, 10-32NF X 1	\$3.00
6		1	1004830	MOUNTING PLATE ASS'Y RIGHT SIDE	\$45.00
7		1	1004837	MACHINED KNOB	\$8.00
8		1	1004839	TORSION SPRING-RT	\$2.50
9		1	1004840	BACKING PLATE	\$12.00
10		1	1005795	FLANGE SPACER	\$10.00
11		1	1012282	CLAMP PIVOT ROD	\$7.00
12		2	1012283	WASHER FLAT #10 ID .194 OD .375 THK .0.038	\$1.50
13		1	1012616	MAIN INNER STANDARD CLAMP	\$42.00
14		1	1012617	MAIN OUTER STANDARD CLAMP	\$42.00
15		1	1012762	RESETTING LATCH - BACK SHELL	\$9.00
	A	1	<b>1021505</b>	<b>KIT, RESETTING BACK MOUNTING HARDWARE RT (ITEMS 1-15)</b>	\$184.00

**NOTES:           A- WILL ALSO WORK FOR PRISM BACK LINE BACK SHELLS**

## PADDED FIXED LATERAL SUPPORT



## PADDED FIXED OFFSET LATERAL SUPPORT RT/LT



**PADDED FIXED LATERAL SUPPORT TABLE**

ITEM	NOTES	QTY	PART NO.	DESCRIPTION	PRICE/ UNIT
1		4	1000487	WASHER #10 0.2 ID X .50 D X .05	\$1.50
2	A	1	1012743	FIXED LATERAL SHELL 5" WIDE GLUED	\$110.00
3		4	1012751	SCREW, PHILLIPS PAN HEAD, #10-32NF X 1/2	\$3.00
	A	1	<b>1012750</b>	<b>FIXED LATERAL SHELL 5" WIDE WITH HARDWARE</b>	<b>\$115.00</b>

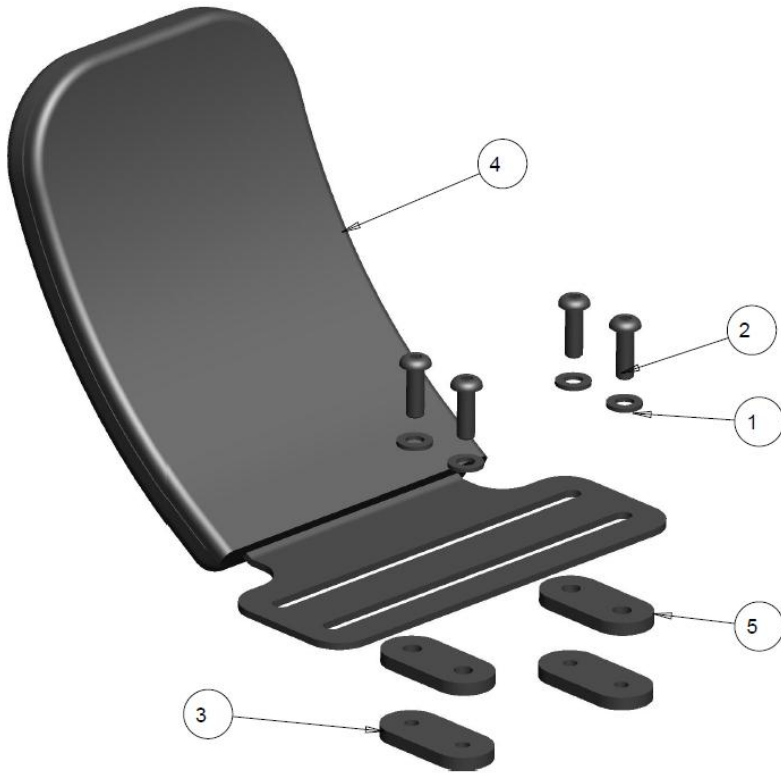
**NOTES: A- COVER INCLUDED**

**PADDED FIXED OFFSET LATERAL SUPPORT TABLE**

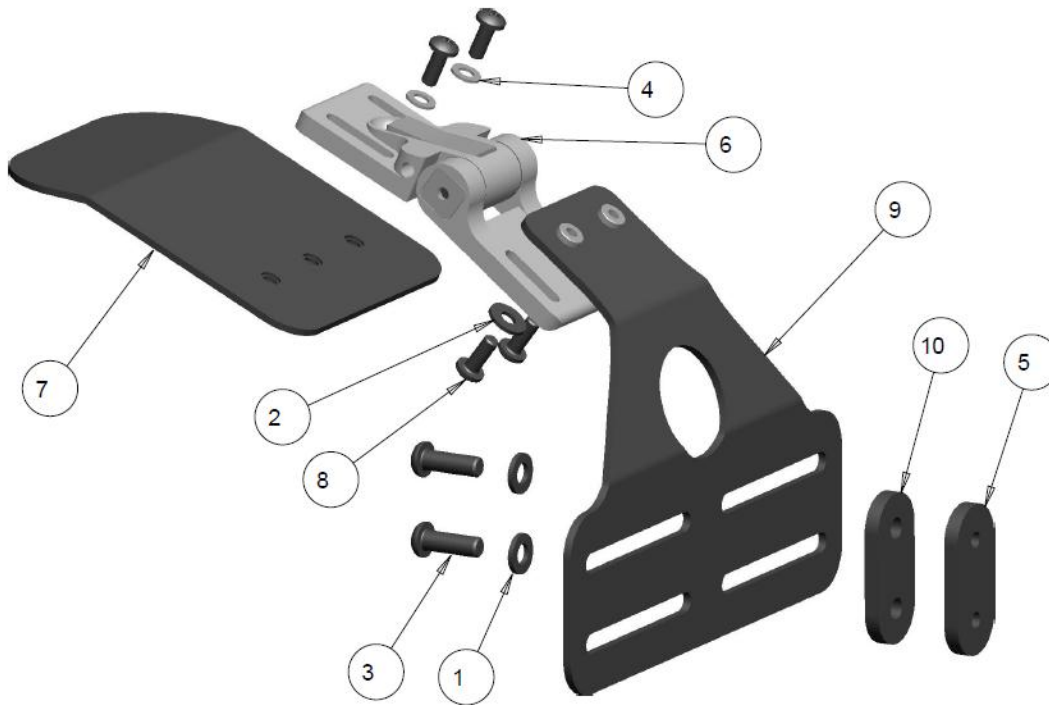
ITEM	NOTES	QTY	PART NO.	DESCRIPTION	PRICE/ UNIT
1		4	1000487	WASHER #10 0.2 ID X .50 D X .05	\$1.50
2		4	1012751	SCREW, PHILLIPS PAN HEAD, #10-32NF X 1/2	\$3.00
3	A	1	1012753	FIXED OFFSET LATERAL SHELL RT GLUED	\$130.00
	A	1	1012759	FIXED OFFSET LATERAL SHELL LT GLUED	\$130.00
	A	1	<b>1012752</b>	<b>FIXED OFFSET LATERAL SHELL RT WITH HARDWARE</b>	<b>\$140.00</b>
	A	1	<b>1012758</b>	<b>FIXED OFFSET LATERAL SHELL RT WITH HARDWARE</b>	<b>\$140.00</b>

**NOTES: A- COVER INCLUDED**

## PADDED HEIGHT ADJUSTABLE LATERAL SUPPORT



## PADDED SWINGAWAY LATERAL SUPPORT



## PADDED HEIGHT ADJUSTABLE LATERAL SUPPORT TABLE

ITEM	NOTES	QTY	PART NO.	DESCRIPTION	PRICE/ UNIT
1		4	1000027	WASHER FLAT 1/4", ID .257, OD 0.50, THK 0.032	\$1.50
2		4	1001391	SCREW, SOCKET HEAD BUTTON, 1/4-20NC X 3/4	\$3.00
3		2	1012392	BACK PLATE	\$16.00
4	A	1	1012764	HEIGHT ADJUSTABLE FIXED	\$125.00
5		2	1022501	BACK PLATE SPACER	\$16.00
	A	1	1012763	HEIGHT ADJUSTABLE FIXED WITH HARDWARE	\$165.00

NOTES: A- COVER INCLUDED

## PADDED SWINGAWAY LATERAL SUPPORT TABLE

ITEM	NOTES	QTY	PART NO.	DESCRIPTION	PRICE/ UNIT
1		2	1000027	WASHER FLAT 1/4", ID .257, OD 0.50, THK 0.032	\$1.50
2		2	1000487	WASHER #10 0.2 ID X .50 D X .05	\$1.50
3		2	1001391	SCREW, SOCKET HEAD BUTTON, 1/4-20NC X 3/4	\$3.00
4		2	1012283	WASHER FLAT #10 ID .194 OD .375 THK .0038	\$1.50
5		1	1012392	BACK PLATE	\$16.00
6		1	1012402	SWING-AWAY LATERAL HINGE ASSEMBLY	\$125.00
7	A	1	1012424	4 X 4 LATERAL BASE WITH FOAM	\$68.00
	A	1	1012435	4 X 5 LATERAL BASE WITH FOAM	\$68.00
	A	1	1012425	4 X 6 LATERAL BASE WITH FOAM	\$68.00
	A	1	1012426	6 X 4 LATERAL BASE WITH FOAM	\$68.00
	A	1	1012436	6 X 5 LATERAL BASE WITH FOAM	\$68.00
	A	1	1012427	6 X 6 LATERAL BASE WITH FOAM	\$68.00
8		4	1012751	SCREW, PHILLIPS PAN HEAD, #10-32NF X 1/2	\$3.00
9		1	1012768	SWINGAWAY LATERAL SHELL WITH PEMs	\$100.00
10		1	1022501	BACK PLATE SPACER	\$16.00
	A	1	1028684	PADDED SWINGAWAY LATERAL SUPPORT 4 X 4 LATERAL	\$280.00
	A	1	1028685	PADDED SWINGAWAY LATERAL SUPPORT 4 X 5 LATERAL	\$280.00
	A	1	1028686	PADDED SWINGAWAY LATERAL SUPPORT 4 X 6 LATERAL	\$280.00
	A	1	1028687	PADDED SWINGAWAY LATERAL SUPPORT 6 X 4 LATERAL	\$280.00
	A	1	1028688	PADDED SWINGAWAY LATERAL SUPPORT 6 X 5 LATERAL	\$280.00
	A	1	1028689	PADDED SWINGAWAY LATERAL SUPPORT 6 X 6 LATERAL	\$280.00

NOTES: A- COVER INCLUDED