



FUTURE
MOBILITY HEALTHCARE INC.

AQUA

Rehab Commode

NTF

COM AQUA NTF PB 400 REV02

PARTS MANUAL

FUTURE MOBILITY HEALTHCARE APPRECIATES YOUR BUSINESS.
OUR CUSTOMER SERVICE REPRESENTATIVES CAN BE CONTACTED AT:

**TO PLACE ORDERS:
(905) 671-1661**

FOR YOUR CONVENIENCE YOU MAY ALSO PLACE ORDERS BY FAX AT:

FAX: (905) 671-3377

PLEASE VISIT OUR WEBSITE AT:

www.futuremobility.ca

*Part prices and configurations included in this Parts Manual are subject to change without prior notice.

* All prices are shown as per unit individual price.

Contents

FRAMES.....	4
AQUA NTF BASE FRAME.....	4
AQUA NTF BACK FRAME.....	6
ARMS.....	8
AQUA NTF BACK ASSY	8
BACKREST.....	12
AQUA NTF ARMREST ASSEMBLY	12
CASTERS	18
AQUA NTF CASTER STEM ASSEMBLY	18
SEAT AND POTTY.....	20
AQUA NTF WHEEL-LOCK ASSEMBLY	20
MISCELLANEOUS.....	24
AQUA NTF MISCELLANEOUS PARTS	24

FRAMES

AQUA NTF BASE FRAME

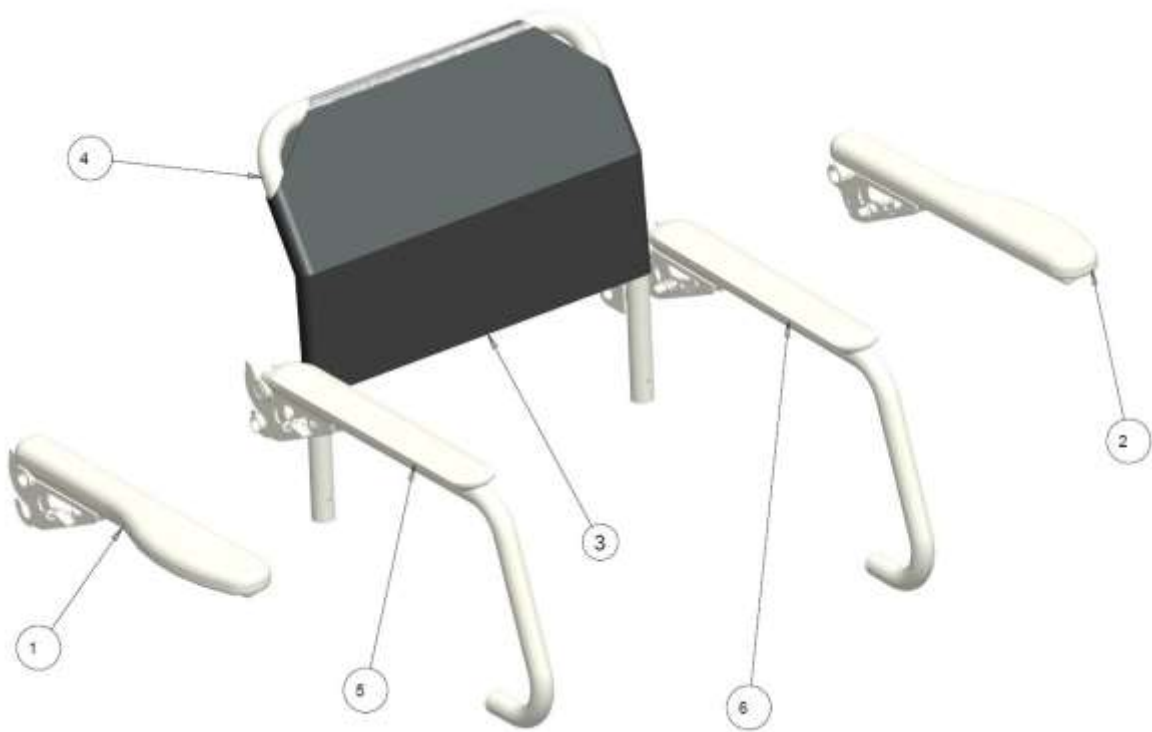


AQUA NTF SEAT FRAME-TABLE

ITEM	QTY	NOTES	PART NO.	DESCRIPTION	PRICE/ PER UNIT
1	1	A	1018248	FRAME WELDMENT 18" (ELECTROPOLISHED)	\$1,022.00
1	1	A	1018248	FRAME WELDMENT 18" (WHITE)	\$1,022.00
1	1	A	1022686	FRAME WELDMENT 20" (ELECTROPOLISHED)	\$1,035.00
1	1	A	1022686	FRAME WELDMENT 20" (WHITE)	\$1,035.00
1	1	A	1022689	FRAME WELDMENT 22" (ELECTROPOLISHED)	\$1,035.00
1	1	A	1022689	FRAME WELDMENT 22" (WHITE)	\$1,035.00
		B20180- 20187			

NOTES: A- COLOR TO BE SPECIFIED

AQUA NTF BACK FRAME



AQUA NTF BACK FRAME - TABLE

ITEM	QTY	NOTES	PART NO.	DESCRIPTION	PRICE/ PER UNIT
1	1		REF	RIGHT ASSY. ARM	REF
2	1		REF	LEFT ASSY. ARM	REF
3	1		1009172	COMMODE BACK UPHOLSTERY 17"	\$125.00
	1		1009172	COMMODE BACK UPHOLSTERY 20"	\$125.00
	1		1009172	COMMODE BACK UPHOLSTERY 22"	\$125.00
4	1		REF	BACK WELDED FRAME	REF
5	1		REF	FRONT SUPPORTED RIGHT ARM ASSY	REF
6	1		REF	FRONT SUPPORTED LEFT ARM ASSY	REF
		B20214-20224			

ARMS

AQUA NTF BACK ASS'Y

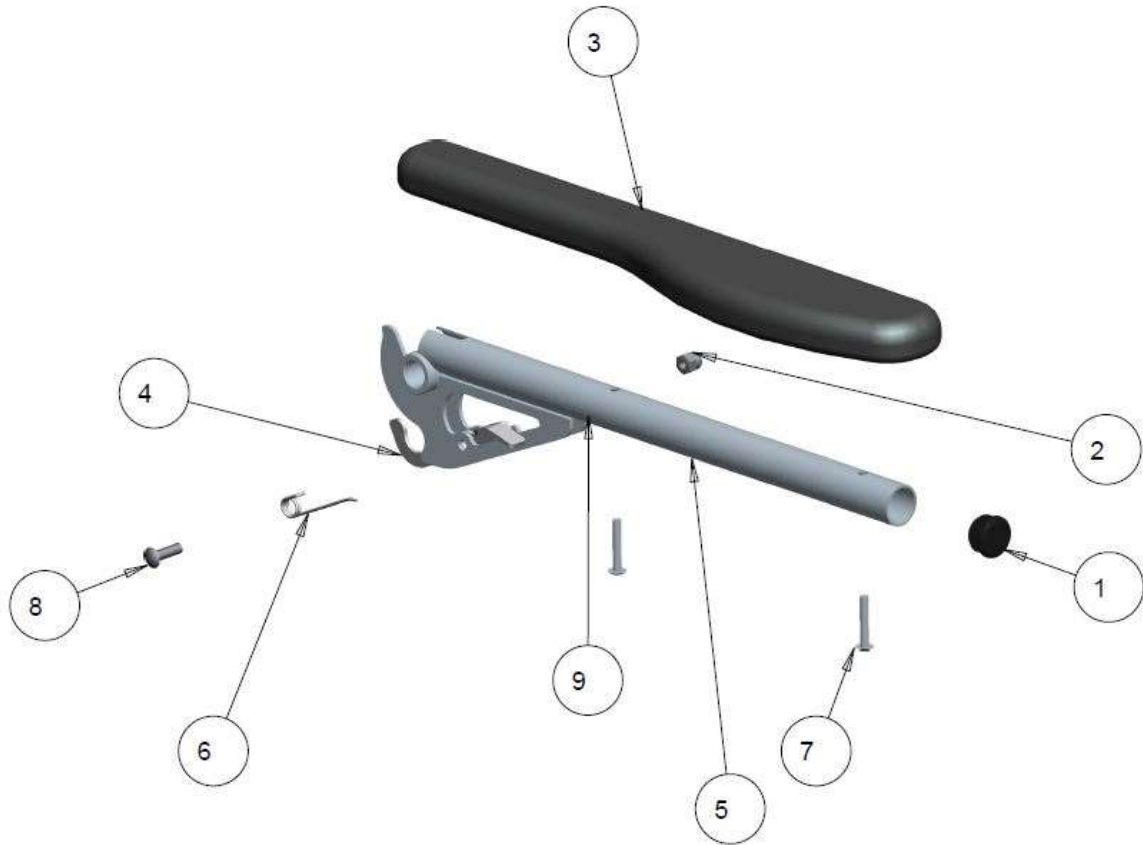


AQUA NTF BACK FRAME - TABLE

ITEM	QTY	NOTES	PART NO.	DESCRIPTION	PRICE/ PER UNIT
1	2		1000018	TUBE PLUG 3/4 DIA	\$2.50
2	2		1001691	SPACER,NYLON#10 OD .375 ID .194 THK .125	\$2.50
3	2		1001806	POP-RIVET 3/16 DIA .440 STUB	\$3.00
4	1	A	1018262	BACK WELDMENT 17" ELECTROPOLISHED	\$404.00
	1	A	1018262	BACK WELDMENT 17" WHITE	\$404.00
	1	A	1022767	BACK WELDMENT 20" ELECTROPOLISHED	\$404.00
	1	A	1022767	BACK WELDMENT 20" WHITE	\$404.00
	1	A	1022770	BACK WELDMENT 22" ELECTROPOLISHED	\$404.00
	1	A	1022770	BACK WELDMENT 22" WHITE	\$404.00
	1	A	1018270	BACK FRAME ASSY KIT 17" ELECTROPOLISHED (ITEM 1-4)	\$415.00
	1	A	1018270	BACK FRAME ASSY KIT 17" WHITE (ITEM 1-4)	\$415.00
	1	A	1022768	BACK FRAME ASSY KIT 20" ELECTROPOLISHED (ITEM 1-4)	\$415.00
	1	A	1022768	BACK FRAME ASSY KIT 20" WHITE (ITEM 1-4)	\$415.00
	1	A	1022769	BACK FRAME ASSY KIT 22" ELECTROPOLISHED (ITEM 1-4)	\$415.00
	1	A	1022769	BACK FRAME ASSY KIT 22" WHITE (ITEM 1-4)	\$415.00
		B20250-20266			

NOTES: A- COLOR TO BE SPECIFIED

AQUA NTF ARMREST TOP ASSEMBLY KIT LT



AQUA NTF ARMREST TOP ASSEMBLY KIT LT - TABLE

ITEM	QTY	NOTES	PART NO.	DESCRIPTION	PRICE/ PER UNIT
1	1		1000392	1 INCH TUBE PLUG	\$3.00
2	1		1000787	ACORN NUT 1 1/4-20 STAINLESS STEEL 0.51 HIGH	\$6.00
3	1		1002672	GEL ARM PAD RIGHT	\$75.00
3	1		1002673	GEL ARM PAD LEFT	\$75.00
4	1		1009113	COMMODE ARM LATCH RIGHT	\$26.80
	1		1009121	COMMODE ARM LATCH LEFT	\$26.80
5	1	A	1009116	RIGHT ARM WELDMENT ELECTROPOLISHED	\$198.00
	1	A	1009116	RIGHT ARM WELDMENT WHITE	\$198.00
	1	A	1009115	LEFT ARM WELDMENT ELECTROPOLISHED	\$198.00
	1	A	1009115	LEFT ARM WELDMENT WHITE	\$198.00
6	1		1009134	COMMODE ARM LATCH SPRING-RIGHT	\$3.00
			1009133	COMMODE ARM LATCH SPRING-LEFT	\$3.00
7	2		1009143	10/32X 1-1/41 BUTTONSOC HEAD S.S. SCREW	\$3.00
8	1		1009144	1/4-250X7/81 BUTTONSOC HEAD S.S. SCREW	\$3.00
9	1		1009145	SPRING PIN S.S. 1/81 DIAX1 LG	\$3.00
	1		1009147	ARMREST RIGHT ASSY KIT (ITEM 1-9) ELECTROPOLISHED	\$292.00
	1		1009148	ARMREST LEFT ASSY KIT (ITEM 1-9) ELECTROPOLISHED	\$292.00
	1		1009147	ARMREST RIGHT ASSY KIT (ITEM 1-9) WHITE	\$292.00
	1		1009148	ARMREST LEFT ASSY KIT (ITEM 1-9) WHITE	\$292.00
		B20285-20305			

NOTES: A- COLOR TO BE SPECIFIED

BACKREST

AQUA NTF ARMREST ASSEMBLY

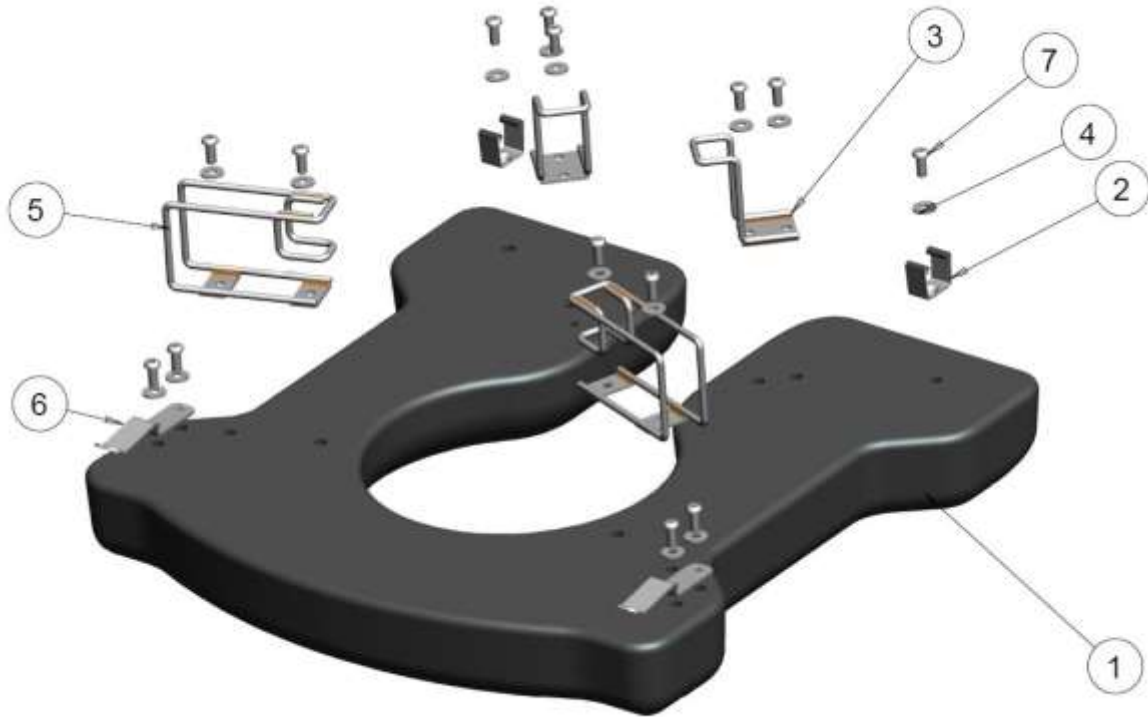


AQUA NTF ARMREST ASSEMBLY - TABLE

ITEM	QTY	NOTES	PART NO.	DESCRIPTION	PRICE/ PER UNIT
1	1		1000392	1 INCH TUBE PLUG	\$3.00
2	1		1000787	ACORN NUT 1 1/4-20 STAINLESS STEEL 0.51 HIGH	\$6.00
3	1		1009113	COMMODE ARM LATCH RIGHT	\$26.80
	1		1009121	COMMODE ARM LATCH LEFT	\$26.80
4	1	A	1009116	RIGHT ARM WELDMENT ELECTROPOLISHED	\$198.00
	1	A	1009116	RIGHT ARM WELDMENT WHITE	\$198.00
	1	A	1018277	LEFT ARM WELDMENT ELECTROPOLISHED	\$198.00
	1	A	1018277	LEFT ARM WELDMENT WHITE	\$198.00
5	1		1009134	COMMODE ARM LATCH SPRING-RIGHT	\$3.00
	1		1009133	COMMODE ARM LATCH SPRING-LEFT	\$3.00
6	2		1009143	10/32X 1-1/41 BUTTON SOC HEAD S.S. SCREW	\$3.00
7	1		1009144	1/4-250X7/81 BUTTON SOC HEAD S.S. SCREW	\$3.00
8	1		1009145	SPRING PIN S.S. 1/81 DIA X1 LG	\$3.00
9	1		10	ARM PAD	#N/A
	1		1018274	ARM ASSY KIT RT ELECTROPOLISHED	\$292.00
	1		1018275	ARM ASSY KIT LT ELECTROPOLISHED	\$292.00
	1		1018274	ARM ASSY KIT RT WHITE	\$292.00
	1		1018275	ARM ASSY KIT LT WHITE	\$292.00
		B20320-20339			

NOTES: A- COLOR TO BE SPECIFIED

AQUA NTF SEAT ASSEMBLY



AQUA NTF ASSEMBLY - TABLE

ITEM	QTY	NOTES	PART NO.	DESCRIPTION	PRICE/ PER UNIT
1	1		1022682	181 COMMODE SEAT PAD WITH METAL INSERT	\$250.00
1	1		1022762	201 COMMODE SEAT PAD WITH METAL INSERT	\$260.00
1	1		1022763	221 COMMODE SEAT PAD WITH METAL INSERT	\$265.00
2	2		1018267	FRONT SEAT LOCK	\$8.00
3	2		1020535	POTTY WIRE INTEGRATED WITH SEAT FRONT	\$25.00
4	14		1020550	1/4 X5/8 X 0.05 S.STEEL WASHER	\$1.50
5	2		1020539	POTTY WIRE INTEGRATED WITH SEAT BACK	\$25.00
6	2		1018268	BACK SEAT LOCK	\$15.00
7	14		1020549	SCREW, SOCKET HEAD BUTTON, 1/4-20NC X 5/8 S.STEEL	\$3.00
	1		1022791	18" TOILETTE SEAT ASSY KIT (ITEMS 1-7)	\$300.00
	1		1022792	20" TOILETTE SEAT ASSY KIT (ITEMS 1 -7)	\$310.00
	1		1022793	22" TOILETTE SEAT ASSY KIT (ITEMS 1 -7)	\$315.00
		B20355-20368			

AQUA NTF LEGREST ASSEMBLY



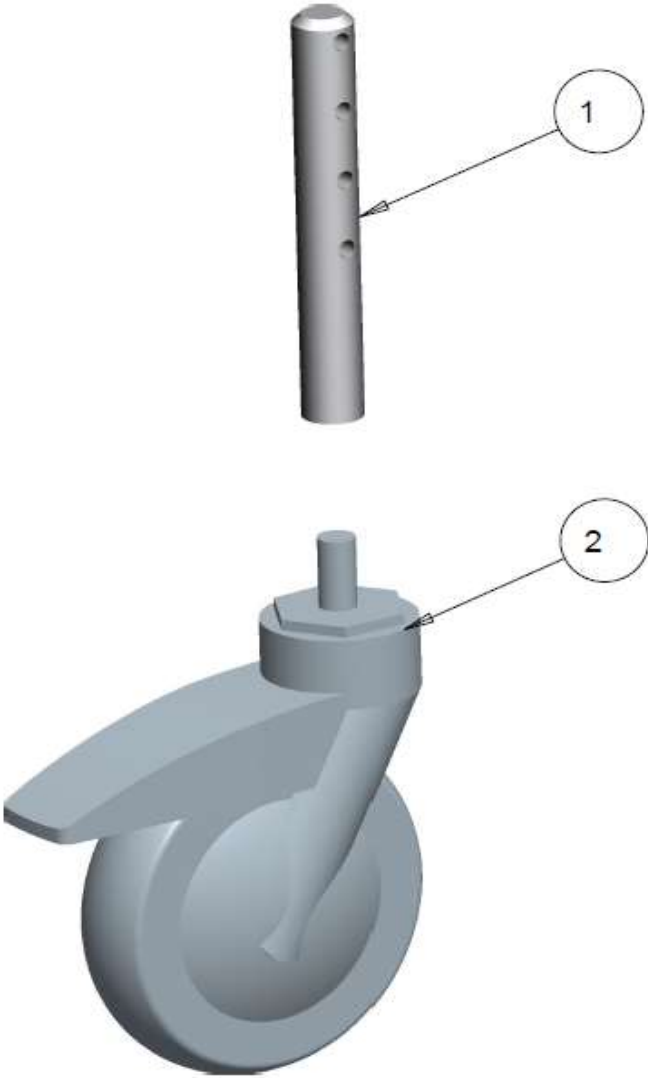
AQUA NTF LEGREST ASSEMBLY - TABLE

ITEM	QTY	NOTES	PART NO.	DESCRIPTION	PRICE/ PER UNIT
1	1		1000014	NUT, HEX, NYLOCK 1/4-20 NC	\$2.00
2	1		1000018	ROUND PLUG TUBE	\$2.50
3	1		1000492	SCREW, SOCKET HEAD CAP, 1/4-20X2.1/2	\$3.00
4	2		1000904	DIA. 0.75 COVED SPACER, 0.251 BOLT	\$3.50
5	1		1001222	SLIDE BUSHING 0-875 TOO.75 SIMPLE	\$5.00
6	1		1001444	FOOTPLATE, FLIP-UP, COMPOSITE MEDIUM	\$50.00
7	1	A	1009126	FOOTREST HANGER ELECTROPOLISHED	\$140.00
7	1	A	1009126	FOOTREST HANGER WHITE	\$140.00
8	1		1009130	BRACE SADDLE	\$14.00
9	1		1009131	FOOTREST EXTENSION	\$35.70
10	1		1009132	LOCKING SLUG	\$10.00
11	1		1009141	#6X1/21 SELF TAPPING SCREW	\$3.00
12	1		1009149	1/4-20X 1/21 BUTTON SOC HEAD S.S. SCREW	\$3.00
		A	1009175	RIFGT LEG ASSEMBLY KIT ELECTROPOLISHED (ITEM 1-12)	\$150.00
		A	1009175	RIFGT LEG ASSEMBLY KIT WHITE (ITEM 1-12)	\$150.00
		A	1009176	LEFT LEG ASSEMBLY KIT ELECTROPOLISHED (ITEM 1-12)	\$150.00
		A	1009176	LEFT LEG ASSEMBLY KIT WHITE (ITEM 1-12)	\$150.00
		B20390-20408			

NOTES: A- COLOR TO BE SPECIFIED

CASTERS

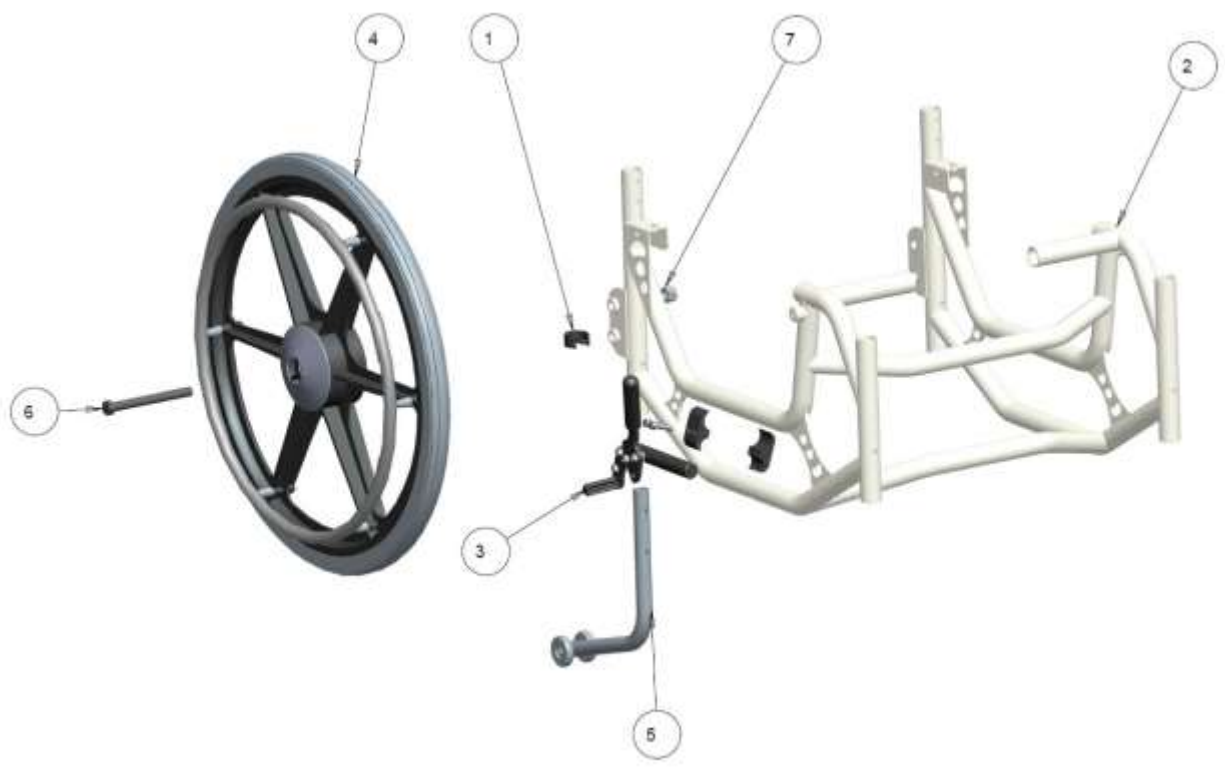
AQUA NTF CASTER STEM ASSEMBLY



AQUA NTF CASTER STEM ASSEMBLY - TABLE

ITEM	QTY	NOTES	PART NO.	DESCRIPTION	PRICE/ PER UNIT
1	1		1009173	CASTER STEM	\$50.00
2	1		1009178	TENTE CASTER 51	\$100.00
			1009139	CASTER STEM ASSEMBLY KIT (ITEM 1-2)	\$124.00
		B20425- 20429			

SEAT AND POTTY
AQUA NTF WHEEL-LOCK ASSEMBLY

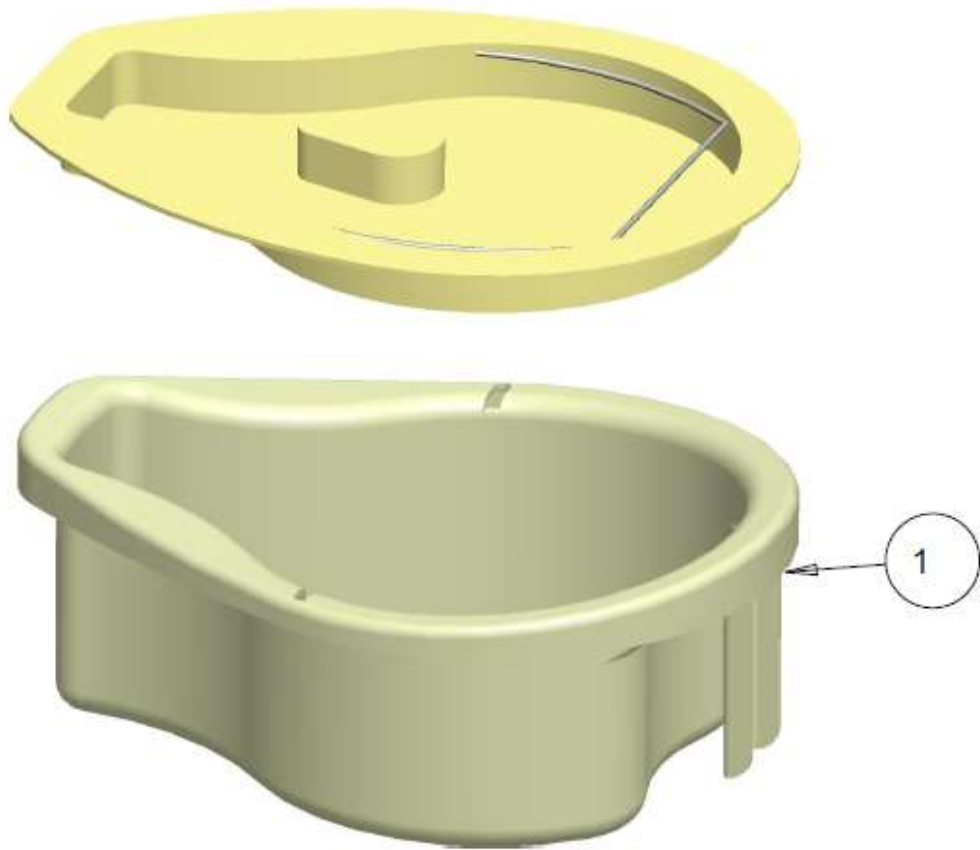


AQUA NTF WHEE-LOCK ASSEMBLY - TABLE

ITEM	QTY	NOTES	PART NO.	DESCRIPTION	PRICE/ PER UNIT
1	2		1009125	SNAP CLIP 1.00 DIA	\$8.50
2	1		1018248	BASE FRAME	\$1,022.00
3	1	B	1019371	S.STEEL WHEEL LOCK ASS'Y, PULL TO ,RT	\$244.00
3	1	B	1022790	S.STEEL WHEEL LOCK ASS'Y, PULL TO ,LT	\$4.00
4	2	A	REFERENCE	COMPOSITE REAR WHEEL	REF
5	2		1022773	NTF COMMODE ANTI TIP	\$40.00
6	2		1022790	S.STEEL HEX BOLT 7/16-14 X 4.5	\$4.00
7	2		1022791	7/16-14 S.S NUT	\$300.00
		B20460-20469			

NOTES: A- SEE REAR WHEEL PARTS BOOK
 B- SEE WHEEL LOCK PARTS BOOK

AQUA NTF POTTY

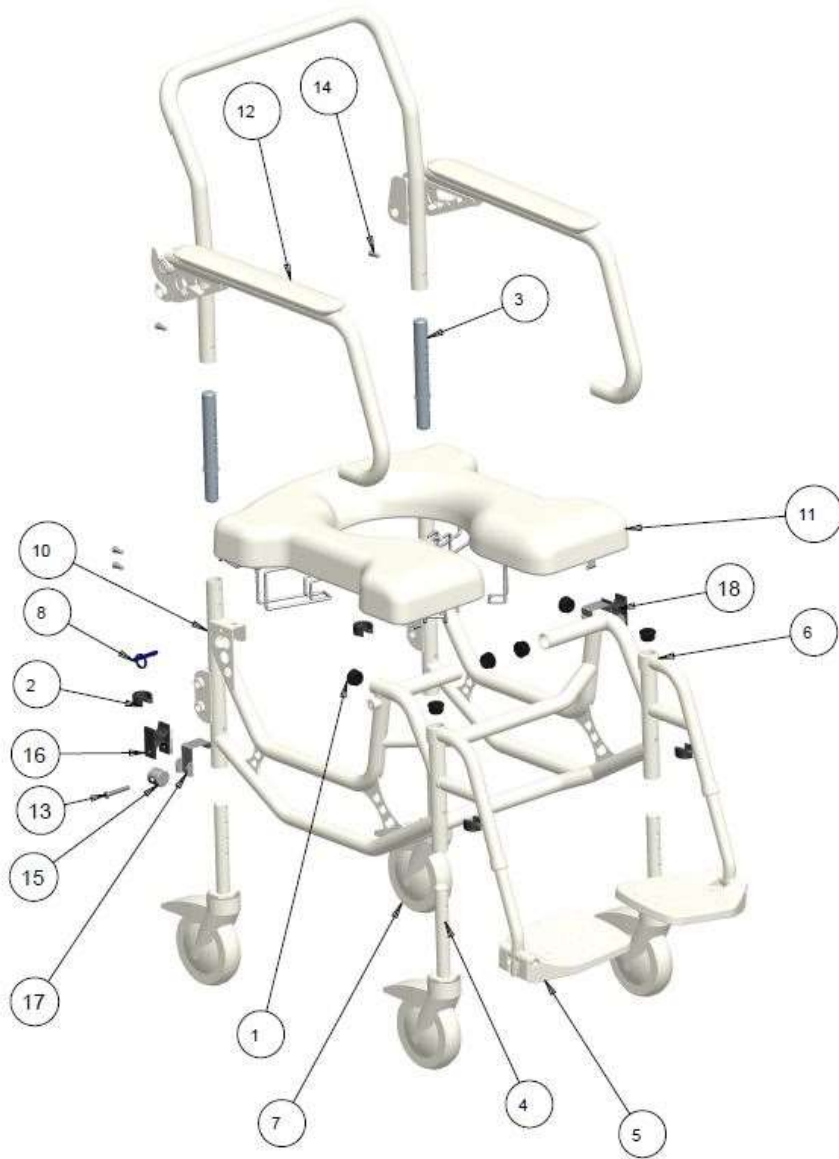


AQUA NTF POTTY - TABLE

ITEM	QTY	NOTES	PART NO.	DESCRIPTION	PRICE/ PER UNIT
1	1		1009168	POTTY WITH LID INCLUDED	\$175.00
		B20495- 20497			

MISCELLANEOUS

AQUA NTF MISCELLANEOUS PARTS



AQUA NTF MISCELLANEOUS PARTS - TABLE

ITEM	QTY	NOTES	PART NO.	DESCRIPTION	PRICE/ PER UNIT
1	6		1000392	1 INCH TUBE PLUG	\$3.00
2	4		1009125	SNAP CLIP 1.00 DIA	\$8.50
3	2		1009157	REAR TUBE HOLDER	\$75.00
4	4		1009173	CASTER STEM	\$50.00
5	1		REFERENCE	RIFGT LEG ASSEMBLY	REF
6	1		REFERENCE	LEFT LEG ASSEMBLY	REF
7	4		REFERENCE	TENTE CASRTER	REF
8	2		1016656	S.S QUICK RELEASE PIN W/O SHOULDER	\$7.50
9	1		1018246	AX LINE	\$0.00
10	1		REFERENCE	BASE FRAME	REF
11	1		REFERENCE	TOILETTE SEAT PAD	REF
12	1		REFERENCE	BACK ASSY	REF
13	1		100783	SCREW, SOCKET HEAD BUTTON 1/4-20 X 1.75	\$3.00
14	6		1020549	SCREW, SOCKET HEAD BUTTON, 1/4-20NC X 5/8 S.STEEL	\$3.00
15	1		1018669	ARM REST ATTACHMENT	\$10.00
16	1		1001624	DUAL TUBE CLAMP SLIDER	\$5.00
17	1		1018668	ARM REST ATTACHMENT PLATE	\$10.00
18	2		1018667	ARMREST ATTACHMENT ASSY KIT (13,15,16,17)	\$35.00
		B20530-20549			