



FUTURE

MOBILITY HEALTHCARE INC.

innovative seating and mobility solutions

AQUA

Rehab Commode

NT600

COM AQUA NT600 PB 2124 REV02

PARTS MANUAL

FUTURE MOBILITY HEALTHCARE APPRECIATES YOUR BUSINESS.
OUR CUSTOMER SERVICE REPRESENTATIVES CAN BE CONTACTED AT:

**TO PLACE ORDERS:
(905) 671-1661**

FOR YOUR CONVENIENCE YOU MAY ALSO PLACE ORDERS BY FAX AT:

FAX: (905) 671-3377

PLEASE VISIT OUR WEBSITE AT:

www.futuremobility.ca

*Part prices and configurations included in this Parts Manual are subject to change without prior notice.

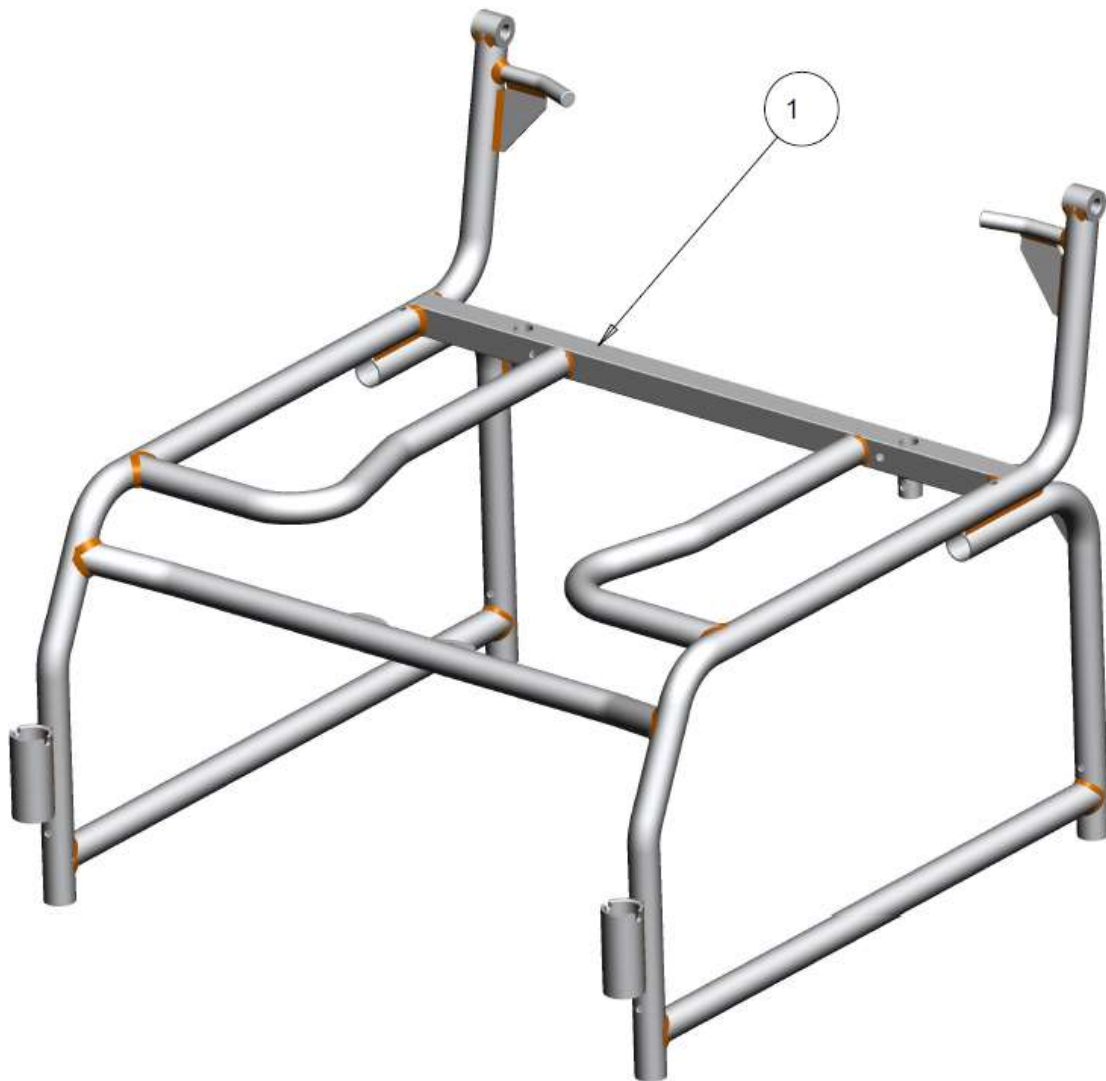
* All prices are shown as per unit individual price.

Contents

FRAMES.....	5
AQUA NT 600 SEAT FRAME.....	5
AQUA NT 600 BACK FRAME.....	7
ARMS.....	9
AQUA NT 600 ARM ASS'Y.....	9
AQUA NT 600 ARMREST TOP ASSEMBLY KIT.....	11
LEGREST.....	13
AQUA NT 600 U-TUBE ASS'Y.....	13
BACKREST.....	15
AQUA NT 600 BACKREST ASSEMBLY.....	15
CASTERS.....	17
AQUA NT 600 CASTER STEM ASSEMBLY.....	17
SEAT AND POTTY.....	19
AQUA NT 600 SEAT ASSEMBLY.....	19
AQUA NT 600 POTTY WIRE.....	21
AQUA NT 600 POTTY.....	23
MISCELLANEOUS.....	25
AQUA NT 600 MISCELLANEOUS PARTS.....	25

FRAMES

AQUA NT 600 SEAT FRAME



AQUA NT 600 SEAT FRAME-TABLE

ITEM	QTY	NOTES	PART NO.	DESCRIPTION	PRICE/ PER UNIT
1	1	A	1018285	FRAME WELDMENT 24" (ELECTROPOLISHED)	\$1,147.00
1	1	A	1018285	FRAME WELDMENT 24" (WHITE)	\$1,147.00
1	1	A	1020581	FRAME WELDMENT 26" (ELECTROPOLISHED)	\$1,035.00
1	1	A	1020581	FRAME WELDMENT 26" (WHITE)	\$1,035.00
		B20635- 20640			

NOTES: A- COLOR TO BE SPECIFIED

AQUA NT 600 BACK FRAME



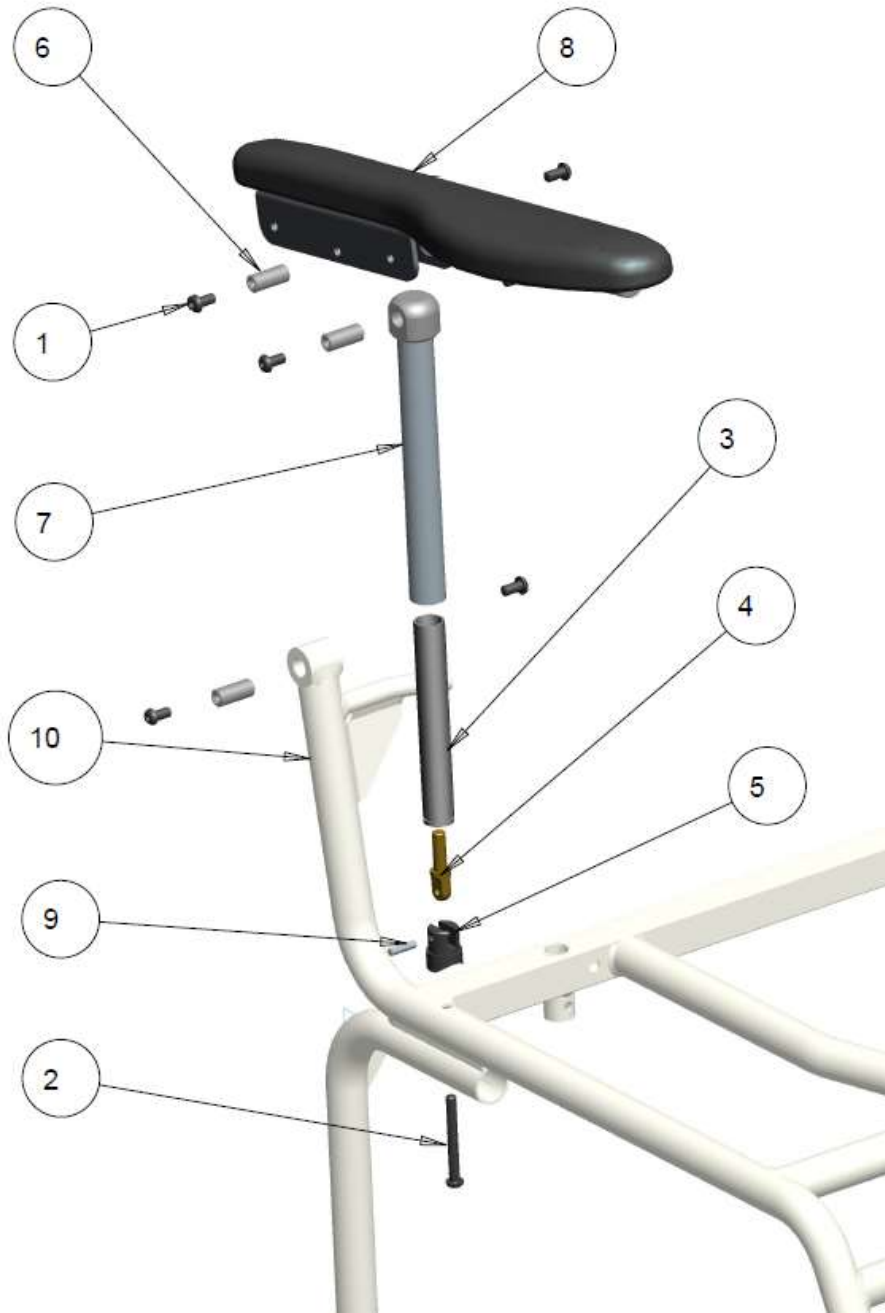
AQUA NT 600 BACK FRAME - TABLE

ITEM	QTY	NOTES	PART NO.	DESCRIPTION	PRICE/ PER UNIT
1	1	A	1018603	BACK FRAME WELDMENT LOW (ELECTRO POLISHED)	\$439.00
1	1	A	1018603	BACK FRAME WELDMENT LOW (WHITE)	\$439.00
		B206070- 20673			

NOTES: A- COLOR TO BE SPECIFIED

ARMS

AQUA NT 600 ARM ASS'Y



AQUA NT 600 ARM ASSY - TABLE

ITEM	QTY	NOTES	PART NO.	DESCRIPTION	PRICE/ PER UNIT
1	6		1022344	SCREW,SOC BUTTON HEAD 1/4-20 X 0.500 S.STEEL	\$3.00
2	1		1022049	SCREW, SOCKET HEAD BUTTON 1/4-20 X 2.25S.STEEL	\$3.00
3	1		1011852	ARMREST INNER TUBE WITH INSERT	\$30.00
4	1		1011855	ARMREST THREADED INSERT STUD	\$24.00
5	1		1011856	ARMREST LOWER MOUNT PIVOT	\$12.00
6	3		1011858	ARMREST INSERT BRASS BUSHING TOP	\$10.00
7	1	A	1011863	ARMREST OUTER TUBE WITH INSERT	\$65.00
8	1	A	1011865	ARMREST TOP ASS'Y RT	\$150.00
	1	A	1011865	ARMREST TOP ASS'Y LT	\$150.00
9	1		1011909	SS PIN 3/16 DIA X .75	\$5.00
10	1		1018285	FRAME WELDMENT	\$1,147.00
	1	A	1022020	KIT,COMPLETE ARM ASSY'RT (ITEMS 1-9)	\$202.00
	1	A	1022021	KIT,COMPLETE ARM ASSY'RT (ITEMS 1-9)	\$202.00
		B20705-20719			

NOTES: A- COLOR TO BE SPECIFIED

AQUA NT 600 ARMREST TOP ASSEMBLY KIT



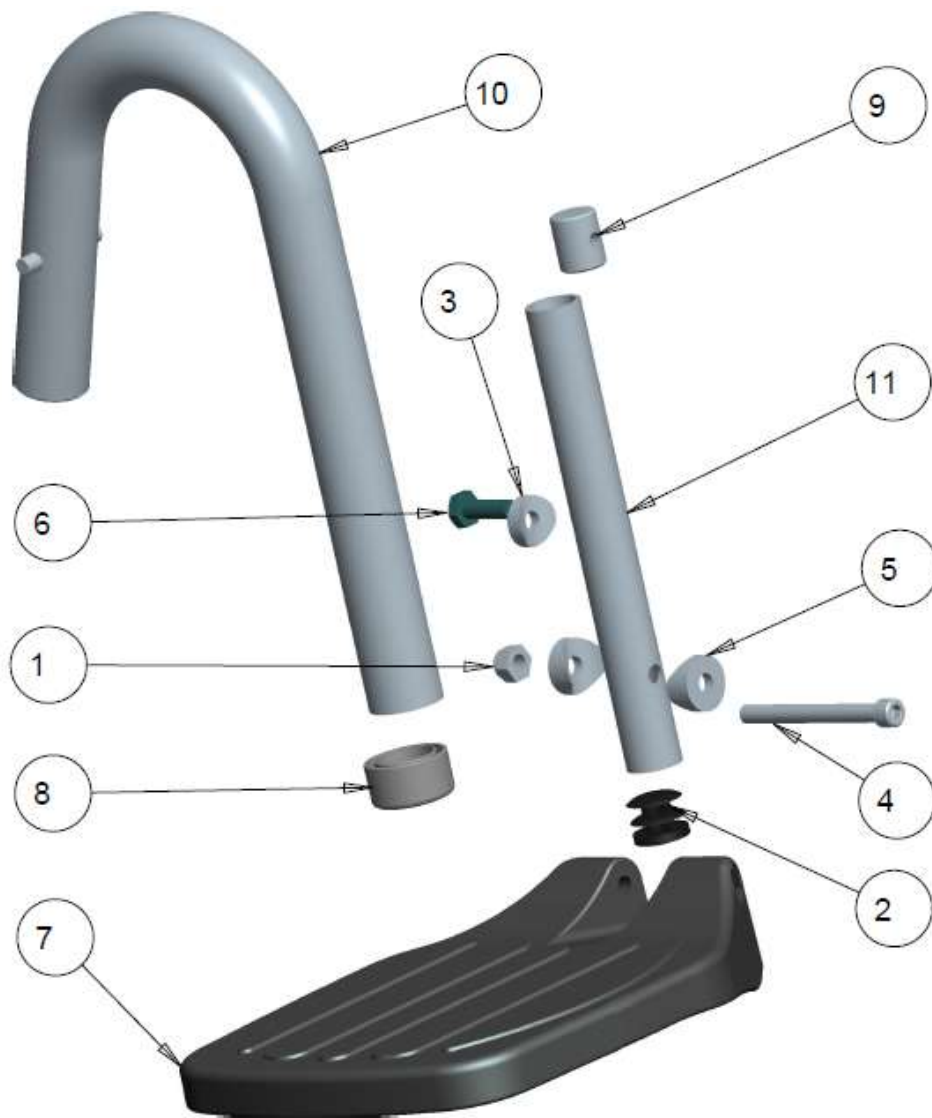
AQUA NT 600 ARMREST TOP ASSEMBLY KIT - TABLE

ITEM	QTY	NOTES	PART NO.	DESCRIPTION	PRICE/ PER UNIT
1	1		1000421	PLUG, UNIVERSAL BLACK 0.875 ROUND	\$2.50
2	1		1002672	ARMPAD WITH INSERT RT	\$75.00
	1		1002673	ARMPAD WITH INSERT LT	\$75.00
3	3		1022050	SCREW, SOCKET HEAD CAP, 10-32NF X 5/16 S.STEEL	\$3.00
4	1	A	1011859	ARMTOP TUBE WELDMENT	\$78.00
	1		1011865	ARMREST TOP ASSEMBLY KIT-RIGHT (ITEMS 1-4)	\$150.00
	1		1011864	ARMREST TOP ASSEMBLY KIT-LEFT (ITEMS 1-4)	\$150.00
		B20740-20748			

NOTES: A- COLOR TO BE SPECIFIED

LEGREST

AQUA NT 600 U-TUBE ASSY



AQUA NT 600 U-TUBE ASSY - TABLE

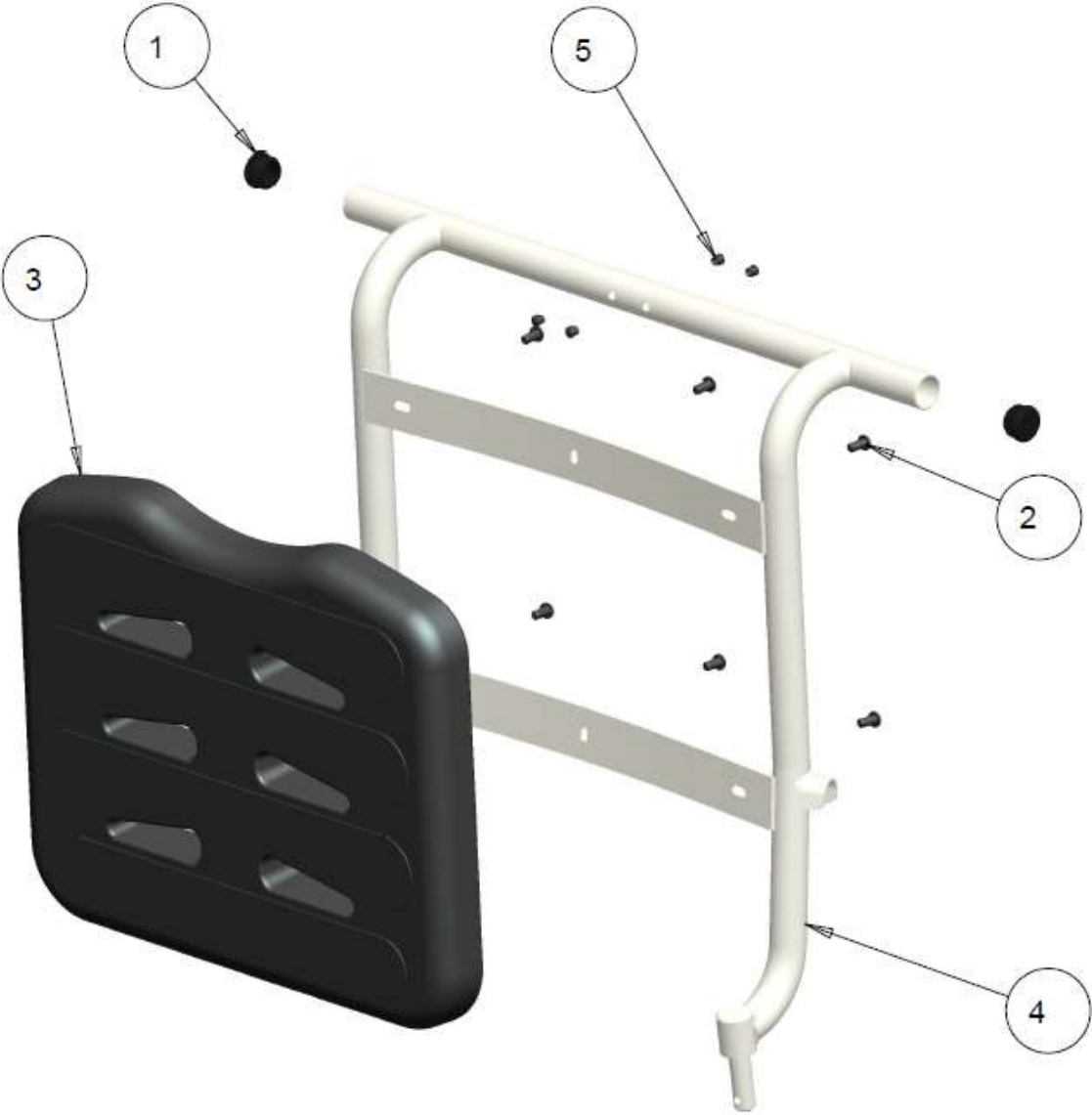
ITEM	QTY	NOTES	PART NO.	DESCRIPTION	PRICE/ PER UNIT
1	1		1018755	NUT, HEX, NYLOCK 1/4-20 NC S.STEEL	\$2.00
2	1		1000018	ROUND PLUG TUBE 3/41	\$2.50
3	1		1000113	SPACER, COVED 1/4 X 1.0 DIA	\$3.50
4	1		1022345	SCREW, SOCKET HEAD CAP, 1/4-20X2.1/2 S.STEEL	\$3.00
5	2		1000904	DIA. 0.75 COVED SPACER , 0.251 BOLT	\$3.50
6	1		1022051	BOLT HEX 1/4-20 X 0.75 S.STEEL	\$3.00
7	1		1001444	FOOTPLATE, FLIP-UP, COMPOSITE MEDIUM	\$50.00
8	1		1001869	GLIDE BUSHING, 1.00 TO 0.75 (.083) WALL	\$5.00
9	1		1009132	LOCKING SLUG	\$10.00
10	1	A	1011866	70° SWINGAWAY WELDMENT U-TUBE	\$120.00
	1	A	1018680	60° SWINGAWAY WELDMENT U-TUBE	\$120.00
11	1		1011870	FOOTREST ADJ. STEM	\$27.00
	1		1011869	70° SWINGAWAY U-TUBE ASSEMBLY KIT LT (ITEMS 1-11)	\$200.00
	1		1013307	70° SWINGAWAY U-TUBE ASSEMBLY RT KIT (ITEMS 1-11)	\$200.00
	1		1018679	60° SWINGAWAY U-TUBE ASSEMBLY KIT LT (ITEMS 1-11)	\$200.00
			1018684	60° SWINGAWAY U-TUBE ASSEMBLY KIT RT (ITEMS 1-11)	\$200.00
	1	B	1001247	FOOTPLATE HEEL LOOP WITH HARDWARE RIGHT	\$21.00
	1	B	1022205	FOOTPLATE HEEL LOOP WITH HARDWARE LEFT	\$21.00
		B20775-20795			

NOTES: A- COLOR TO BE SPECIFIED

B- HEEL LOOP COMES INSTALLED IF ORDERED WITH COMPLETE FOOTREST

BACKREST

AQUA NT 600 BACKREST ASSEMBLY

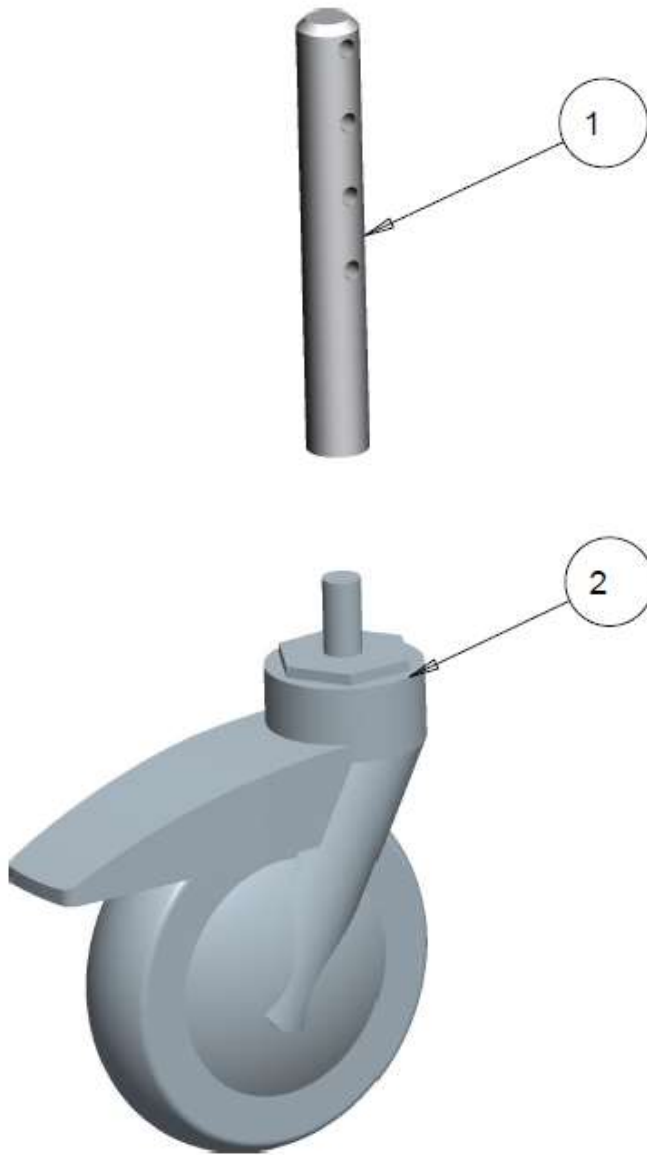


AQUA NT 600 BACKREST ASSEMBLY - TABLE

ITEM	QTY	NOTES	PART NO.	DESCRIPTION	PRICE/ PER UNIT
1	2		1000392	1 INCH TUBE PLUG	\$3.00
2	6		1022344	SCREW,SOC BUTTON HEAD 1/4-20 X 0.500 S.STEEL	\$3.00
3	1		1011893	BACK SUPPORT MOLD	\$200.00
4	1		REF	BACK FRAME WELDMENT LOW	REF
5	4		1022022	MINI PLUG 1/4	\$0.50
			1018617	BACKREST ASSEMBLY KIT (ITEMS 1-3,5)	\$190.00
		B20810-20817			

CASTERS

AQUA NT 600 CASTER STEM ASSEMBLY

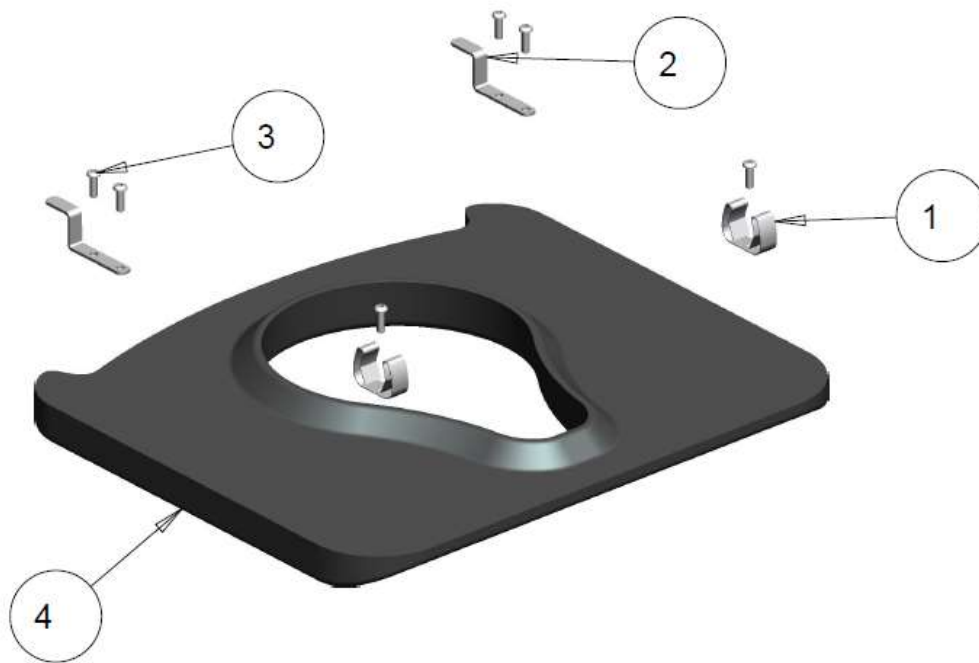


AQUA NT 600 CASTER STEM ASSEMBLY - TABLE

ITEM	QTY	NOTES	PART NO.	DESCRIPTION	PRICE/ PER UNIT
1	1		1009173	CASTER STEM	\$50.00
2	1		1009167	TENTE CASTER 51	\$124.00
			1009139	CASTER STEM ASSEMBLY KIT (ITEM 1-2)	\$124.00
		B20845- 20849			

SEAT AND POTTY

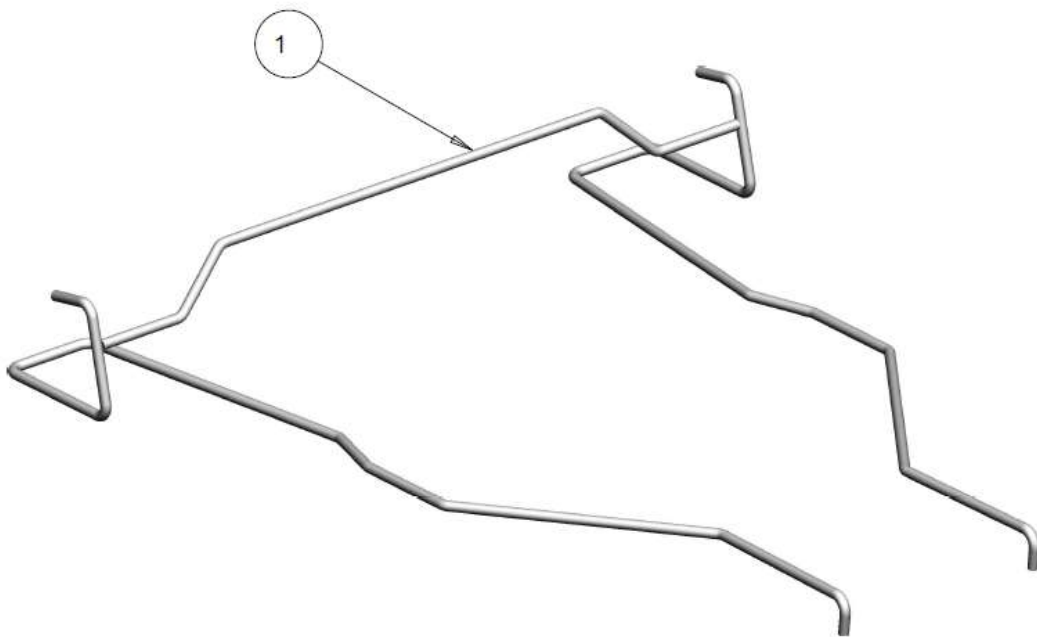
AQUA NT 600 SEAT ASSEMBLY



AQUA NT 600 SEAT ASSEMBLY - TABLE

ITEM	QTY	NOTES	PART NO.	DESCRIPTION	PRICE/ PER UNIT
1	2		1009174	SEAT LOCK	\$8.00
2	2		1020449	LOCKING BRACKET	\$15.00
3	6		1022017	SCREW, SOCKET HEAD BUTTON, 1/4-20NC X 3/4,S.S.	\$3.00
4	1		1022023	SEAT WITH REINFORCEMENT	\$250.00
			1022024	SEAT ASSEMBLY KIT (ITEMS 1-4)	\$280.00
		B20880- 20886			

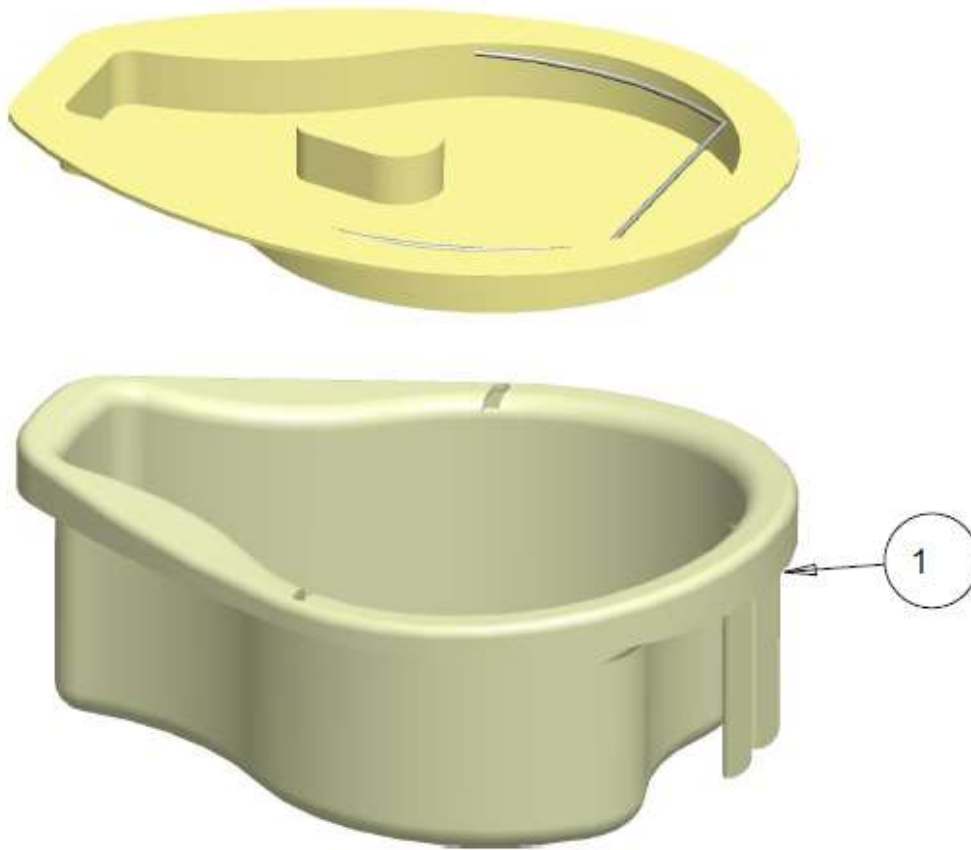
AQUA NT 600 POTTY WIRE



AQUA NT 600 POTTY WIRE - TABLE

ITEM	QTY	NOTES	PART NO.	DESCRIPTION	PRICE/ PER UNIT
1	1		1018607	POTTY WIRE	\$50.00
		B20915- 20917			

AQUA NT 600 POTTY

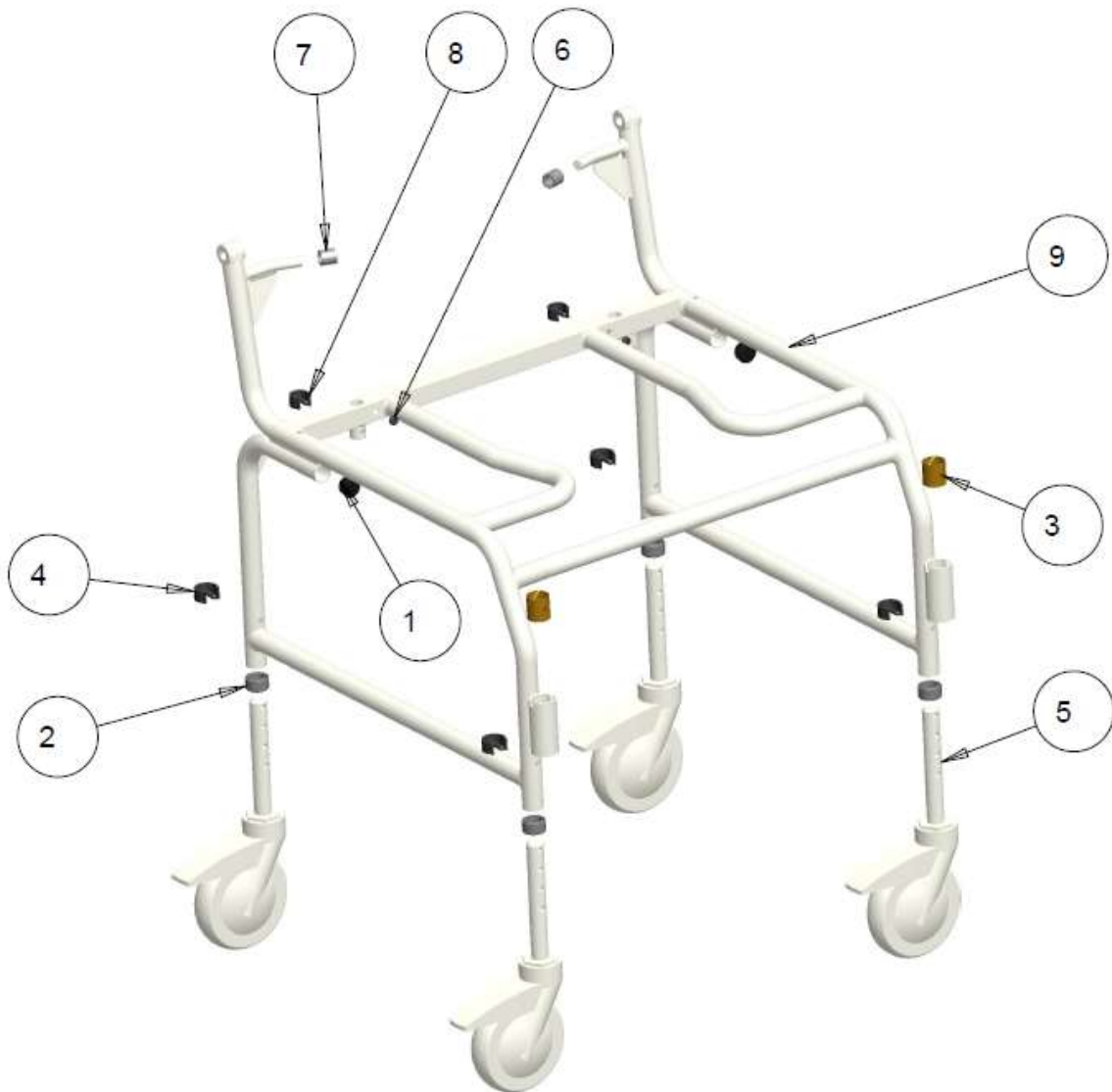


AQUA NT 600 POTTY - TABLE

ITEM	QTY	NOTES	PART NO.	DESCRIPTION	PRICE/ PER UNIT
1	1		1009168	POTTY WITH LID INCLUDED	\$175.00
		B20950- 20952			

MISCELLANEOUS

AQUA NT 600 MISCELLANEOUS PARTS



AQUA NT 600 MISCELLANEOUS PARTS - TABLE

	QTY	NOTES	PART NO.	DESCRIPTION	PRICE/ PER UNIT
1	2		1000392	1 INCH TUBE PLUG	\$3.00
2	4		1001869	GLIDE BUSHINGTUBE 11OD,WTHK 0.065	\$5.00
3	2		1002720	NYLINER BUSHING 1.00 ID 1.125 LG	\$10.00
4	4		1009125	SNAP CLIP 1.00 DIA	\$8.50
5	4		REF	COMMODE CASTER	REF
6	2		1011911	RUBBER GROMMET .187 ID .065	\$2.00
7	2		1011912	PVC HOSE ID 1/2 OD 3/4	\$1.00
8	2		1011914	SNAP CLIP 3/4 DIA	\$8.00
9	1		REF	FRAME WELDMENT	REF
		B20985-20995			

bngfb