



| | | |
|----------------------------|-------|--------------------------|
| Account Information | | Order Date: |
| Account #: | _____ | P.O.# _____ |
| Business Name: | _____ | Phone: _____ |
| Ship to Address: | _____ | City: _____ |
| Fax: | _____ | Province: _____ |
| Contact: | _____ | Postal Code: _____ |
| | | Tagged For: _____ |

① FRAME TYPE

| | | | |
|-------------------------------------|-------------------------------------|--------|-----------|
| <input checked="" type="checkbox"/> | Superchair for kids - WMK5FM010 | 104 | \$3,250 |
| <input type="checkbox"/> | 10"-13" Frame (crosst tubing) ----- | 104CT1 | No Charge |
| <input type="checkbox"/> | 13"-16" Frame (crosst tubing)----- | 104CT2 | No Charge |

② FRAME FINISH

| | | | |
|--------------------------|----------------------|--------|-----------|
| <input type="checkbox"/> | Black ----- | 104C01 | No Charge |
| <input type="checkbox"/> | Blue ----- | 104C03 | No Charge |
| <input type="checkbox"/> | Burgundy ----- | 104C11 | No Charge |
| <input type="checkbox"/> | Orange ----- | 104C05 | No Charge |
| <input type="checkbox"/> | Yellow ----- | 104C08 | No Charge |
| <input type="checkbox"/> | Red ----- | 104C07 | No Charge |
| <input type="checkbox"/> | Silver ----- | 104C02 | No Charge |
| <input type="checkbox"/> | Custom Colours ----- | 104C17 | \$150 |

③ SEAT WIDTH

| | | | |
|--------------------------|----------------------|---------|-----------|
| <input type="checkbox"/> | 10" Seat Width ----- | 104SW10 | No Charge |
| <input type="checkbox"/> | 11" Seat Width ----- | 104SW11 | No Charge |
| <input type="checkbox"/> | 12" Seat Width ----- | 104SW12 | No Charge |
| <input type="checkbox"/> | 13" Seat Width ----- | 104SW13 | No Charge |
| <input type="checkbox"/> | 14" Seat Width ----- | 104SW14 | No Charge |
| <input type="checkbox"/> | 15" Seat Width ----- | 104SW15 | No Charge |
| <input type="checkbox"/> | 16" Seat Width ----- | 104SW16 | No Charge |

④ SEAT DEPTH

| | | | |
|--------------------------|----------------------|---------|-----------|
| <input type="checkbox"/> | 11" Seat Depth ----- | 104SD11 | No Charge |
| <input type="checkbox"/> | 12" Seat Depth ----- | 104SD12 | No Charge |
| <input type="checkbox"/> | 13" Seat Depth ----- | 104SD13 | No Charge |
| <input type="checkbox"/> | 14" Seat Depth ----- | 104SD14 | No Charge |
| <input type="checkbox"/> | 15" Seat Depth ----- | 104SD15 | No Charge |
| <input type="checkbox"/> | 16" Seat Depth ----- | 104SD16 | No Charge |

Standard Chair Includes:

Rigid Tilting Frame w/Swingaway Front End
Round Heavy duty Cross brace Tubing
Seat Width 10"-16"
Seat Depth 11"-16"
Seat to Floor Height Front 17.50"-20"
Seat to Floor Height Rear 15.75"-18.5"
Rear Wheel Options 12", 20" or 22")
Handrim Option Stainless Steel
Caster Options 4", 5", 7" or 8"
Adjustable Height Full Length Arm (vinyl pad) T-Style
Super Chair Kids Cushion
Super Chair Kids Back
Angle Adjustable 10 deg Bend Cane w/Push bar - High
Aluminum Flip-Up Footplate
Heel Loops
Wheel Locks (Push or Pull to Lock)
Side Storage Pocket
Padded Headrest (Kids or Small)
Choice of Seven Colours (Black, Blue, Burgundy, Orange, Yellow, Red or Silver)



| SUPERCHAIR FOR KIDS FRONT STF HEIGHT AVAILABILITY | | | | | | |
|---|-----------|-----|-------|--------|-----|--|
| REAR WHEEL | 4" CASTER | | | | | |
| 12" | | | | | | |
| 20" | 17.5" | 18" | | | | |
| 22" | | | | | | |
| REAR WHEEL | 5" CASTER | | | | | |
| 12" | | | 18.5" | | | |
| 20" | | | | | | |
| 22" | | | 18.5" | | | |
| REAR WHEEL | 7" CASTER | | | | | |
| 12" | | | 19" | 19.5" | | |
| 20" | | | | | | |
| 22" | | | 19" | 19.5" | | |
| REAR WHEEL | 8" CASTER | | | | | |
| 12" | | | | | 20" | |
| 22" | | | | 19.75" | | |

FOOTNOTES:
A. Seat angle is set at 3 degrees. See service manual for details

⑤ SEAT-TO-FLOOR HEIGHT - front - 20", 22" Rear Wheels

- 17.5" Seat to Floor (20" Wheels and 4" Casters) 104STF62 No Charge
- 18" Seat to Floor (20" Wheels and 4" Casters) 104STF63 No Charge
- 18.5" Seat to Floor (22" Wheels and 5" Casters) 104STF64 No Charge
- 19" Seat to Floor (22" Wheels and 7" Casters) 104STF60 No Charge
- 19.5" Seat to Floor (22" Wheels and 7" Casters) 104STF61 No Charge
- 19.75" Seat to Floor (22" Wheels and 8" Casters) 104STF65 No Charge
- 18.5" Seat to Floor (12" Wheels and 5" Casters) 104STF66 No Charge
- 19" Seat to Floor (12" Wheels and 7" Casters) 104STF67 No Charge
- 19.5" Seat to Floor (12" Wheels and 7" Casters) 104STF68 No Charge
- 20" Seat to Floor (12" Wheels and 8" Casters) 104STF69 No Charge

⑥ REAR WHEEL RIM

- Mag Wheels ----- 104RW09 No Charge
- Spoke Wheels ----- 104RW10 \$75

⑧ REAR WHEEL TIRE

- Airless (Solid Rubber) ----- 104RT1 Standard
- Pneumatic ----- 104RT2 \$60

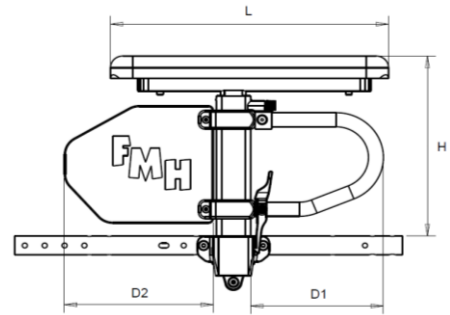
⑦ HANDRIM OPTIONS

- Chrome ----- 104HR1 Standard
- Plastic Coated ----- 104HR2 \$160
- Omit Handrims ----- 104HR3 less net \$15

⑧ ARM TYPE

- T-Style Adjustable Height Pin Release - Youth ----- 104AR05 Standard
- T-Style Adjustable Height Pin Release - Adult ----- 104AR06 \$300
- Cantilever Arm Adj. Angle ----- 104AR11 \$225
- Cantilever Arm Adj. Angle with Guard ----- 104AR12 \$325

| Armrest Matrix for T-Style Pin Release Arm | | | | | | |
|--|----------------------------|------------------------|----------------|------------------|-------|--------|
| Armrest Style | Transfer Tube Length D1 | Arm Guard Length D2 | H Range | Arm Pad Length L | | |
| | | | | Desk | Full | Curved |
| Adult | 6.75" | 7.50" | 9.50" - 14.50" | 10.25" | 14.0" | 17.0" |
| Youth | 4.50" | 5.0" | 8.75" - 13.75" | | | |



⑨ ARM PAD

- Desk length Vinyl 10" (pair)----- 104AP1 No Charge
- Full length Vinyl 14" (pair)----- 104AP2 No Charge
- Contour Gel 17" (pair)----- 104AP3 Standard

⑩ BACK TYPE

- Angle Adj 10 deg Bend Cane w/Push bar (low)----- 104SP3 No Charge
- Angle Adj 10 deg Bend Cane w/Push bar (high)----- 104SP4 Standard
- Angle Adj 10 deg Bend Cane w/o Push bar (low)----- 104PC3 No Charge
- Angle Adj 10 deg Bend Cane w/o Push bar (high)----- 104PC4 No Charge

⑪ BACK OPTIONS

- Super Chair Kids Back Stock ----- 104BK75 Standard
- Super Chair Kids Back Non Stock ----- 104BK76 No Charge
- Super Chair Kids Back Custom ----- 104BK77 \$825
- Slip on Padded Back Upholstery----- 104BK48 No Charge
- Omit Back ----- 104BK49 No Charge

Specify Back Size Height: 10" __ 12" __ 14" __ 16" __

[For other Backs, please fill in the required Backs Order Form and attach it to this order. Click here to see all Backs](#)

⑫ BACK PINS (Prism Backs only)

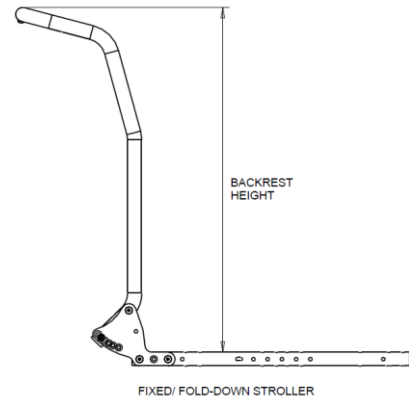
- Longer Pins for Back Hardware 1" Growth ----- 104BP1 \$50
- Longer Pins for Back Hardware 2" Growth ----- 104BP2 \$50

⑬ SEAT OPTIONS

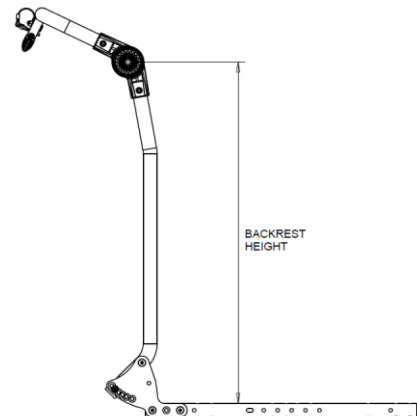
- Seat Pan----- 104SE1 Standard
- Super Chair Kids Cushion Stock----- CSK Standard
- Super Chair Kids Cushion Non Stock----- CNK No Charge
- Super Chair Kids Cushion Custom----- CCMK \$685
- Prism Ideal Cushion - Stock Sizes ----- 104SC01 No Charge
- Prism Ideal Cushion - Non-Stock Sizes ----- 104SC02 No Charge
- Prism Ideal Cushion Custom on chair----- 104SC03 No Charge
- Omit Cushion ----- 104SC20 No Charge

Standard Size Cushion Depth: 10", 12", 14" and 16"

[For other Cushions, please fill in the required Cushions Order Form and attach it to this order. Click here to see all Cushions](#)



FIXED/ FOLD-DOWN STROLLER



ADJUSTABLE HINGE STROLLER

(14) FRONT RIGGING

| | | | | |
|---|--------------------------|--|---------|---------------|
| C | <input type="checkbox"/> | 70 Degree Swingaway Upgraded----- | 104FR04 | No Charge |
| D | <input type="checkbox"/> | 80 Degree Swingaway Upgraded----- | 104FR19 | \$215 |
| E | <input type="checkbox"/> | 90 Degree Swingaway Upgraded----- | 104FR05 | \$230 |
| | <input type="checkbox"/> | Elevating Legrest with Swingaway Upgraded----- | 104FR10 | \$550 |
| | <input type="checkbox"/> | Omit Front Rigging----- | 104FR11 | less net \$20 |

(15) FOOTPLATE TYPE

| | | | |
|--------------------------|---|---------|-----------|
| <input type="checkbox"/> | Super Chair Kids Aluminum Flip-Up Footplate Small---- | 104FP13 | Standard |
| <input type="checkbox"/> | Super Chair Kids Aluminum Flip-Up Footplate Medium-- | 104FP14 | No Charge |
| <input type="checkbox"/> | Super Chair Kids Aluminum Flip-Up Footplate Large---- | 104FP15 | No Charge |
| <input type="checkbox"/> | Composite Flip-Up Footplate Small----- | 104FP01 | No Charge |
| <input type="checkbox"/> | Aluminum Flip-Up Footplate Medium----- | 104FP06 | No Charge |
| <input type="checkbox"/> | Aluminum Adjustable Angle Flip-Up Footplate Small---- | 104FP10 | \$120 |

(16) FOOTREST/LEGREST ACCESSORIES

| | | | |
|--------------------------|-----------------------------------|---------|--------------|
| <input type="checkbox"/> | Padded Calf Strap----- | 104FA03 | \$70 |
| <input type="checkbox"/> | Foam Pad on Footplate (pair)----- | 104FA07 | \$70 |
| <input type="checkbox"/> | Heel Loops----- | 104FA01 | Standard |
| <input type="checkbox"/> | Omit Heel Loops----- | 104FA02 | less net \$7 |

(17) WHEEL LOCKS

| | | | |
|--------------------------|------------------------------|--------|-----------|
| <input type="checkbox"/> | Push-to-Lock Wheel Lock----- | 104WL1 | Standard |
| <input type="checkbox"/> | Pull-to-Lock Wheel Lock----- | 104WL2 | No Charge |
| <input type="checkbox"/> | Wheel Lock Extension----- | 104WL4 | No Charge |

(18) HEADREST HARDWARE OPTIONS

| | | | | |
|-----|--------------------------|--|---------|----------|
| | <input type="checkbox"/> | Fixed Headrest Hardware ----- | 104HE01 | Standard |
| | <input type="checkbox"/> | Single Multi-Axial Headrest Hardware ----- | 104HE03 | \$158 |
| F.G | <input type="checkbox"/> | Dual Multi-Axial Headrest hardware ----- | 104HE05 | \$195 |
| | <input type="checkbox"/> | Fixed Headrest Hardware Ass'y (+ 4")----- | 104HE02 | \$20 |
| | <input type="checkbox"/> | Single Multi-Axial Headrest Hardware (+4") ----- | 104HE04 | \$183 |
| | <input type="checkbox"/> | Dual Multi-Axial Headrest hardware (+ 4") ----- | 104HE06 | \$220 |
| | <input type="checkbox"/> | Links Multi Adjustable Headrest ----- | 104HE10 | \$200 |
| | <input type="checkbox"/> | Links Multi Adjustable Curved Headrest ----- | 104HE11 | \$240 |
| | <input type="checkbox"/> | Additional Link for Headrest ----- | 104HE12 | \$50 |
| | <input type="checkbox"/> | 2 Additional Links for Headrest ----- | 104HE13 | \$100 |
| | <input type="checkbox"/> | 3 Additional Links for Headrest ----- | 104HE14 | \$150 |
| | <input type="checkbox"/> | UHRBA ----- | 104HEBA | \$61 |

(19) HEADREST FOAM PAD OPTIONS

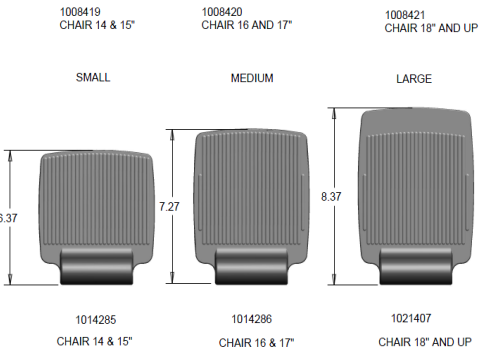
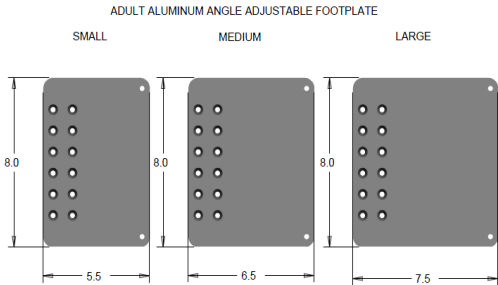
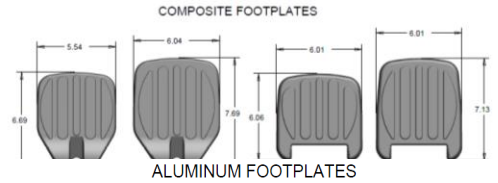
| | | | |
|--------------------------|---|---------|---------------|
| <input type="checkbox"/> | Kids Headrest Foam Pad----- | 104HF5 | Standard |
| <input type="checkbox"/> | Small Headrest Foam Pad ----- | 104HF1 | No Charge |
| <input type="checkbox"/> | Small Headrest with Wings Foam Pad ----- | 104HF2 | \$90 |
| <input type="checkbox"/> | Medium Headrest Foam Pad ----- | 104HF7 | No Charge |
| <input type="checkbox"/> | Medium Headrest with Wings Foam Pad ----- | 104HF8 | \$90 |
| <input type="checkbox"/> | Large Headrest Foam Pad ----- | 104HF3 | No Charge |
| <input type="checkbox"/> | Large Headrest with Wings Foam Pad ----- | 104HF4 | \$95 |
| <input type="checkbox"/> | Omit Headrest ----- | 104HE09 | less net \$10 |

(20) ANTI TIP

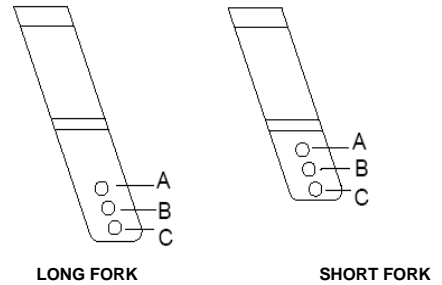
| | | | |
|--------------------------|-------------------------|---------|-----------|
| <input type="checkbox"/> | Fixed Anti-Tipper ----- | 104MA22 | No Charge |
|--------------------------|-------------------------|---------|-----------|

(21) MISCELLANEOUS ACCESSORIES

| | | | |
|--------------------------|---|---------|----------|
| <input type="checkbox"/> | Auto-Seat Positioning Straps----- | 104MA03 | \$52 |
| <input type="checkbox"/> | Velcro Release Positioning Strap----- | 104MA05 | \$48 |
| <input type="checkbox"/> | 4 Point Harness----- | 104MA56 | \$95 |
| <input type="checkbox"/> | Quick Release Axles----- | 104AL1 | \$110 |
| <input type="checkbox"/> | Front and Rear Transit Hook Assembly----- | 104MA30 | Standard |
| <input type="checkbox"/> | Padded Lap Tray----- | 104MA09 | \$285 |
| <input type="checkbox"/> | Half Padded Lap Tray, Left----- | 104MA14 | \$145 |
| <input type="checkbox"/> | Half Padded Lap Tray, Right----- | 104MA15 | \$145 |



FOOTNOTES:
 B. Super Chair Kids Aluminum Footplate available for chairs 10"W to 16" W
 C. Composite Flip-Up Footplates available for chairs 14" to 16" W
 D. Aluminum Flip-Up Footplates available for chairs 12" to 16" W
 E. Aluminum Angle Adj. Flip-Up Footplates available for chairs 15"W to 16"W
 F. Kids Headrest Foam Pad available for chairs 10"W to 14"W
 G. Small Headrest Foam Pad available for chairs 15"W & 16"W



TO FLOOR HEIGHT

| STF FRONT | REAR WHEEL | CASTER SIZE | FORK SIZE | FORK HOLE | AXLE PLATE HOLE | STF REAR |
|-----------|------------|-------------|-----------|-----------|-----------------|----------|
| (inches) | (inches) | (inches) | | | | (inches) |
| 18.50 | 12 | 4 | LG | C | A | 17.25 |
| 18.50 | 12 | 5 | LG | B | A | 17.25 |
| 19.00 | 12 | 7 | SML | C | A | 17.50 |
| 19.50 | 12 | 7 | LG | B | B | 18.25 |
| 20.00 | 12 | 8 | LG | B | B | 18.50 |
| 17.50 | 20 | 4 | SML | C | A | 15.75 |
| 18.00 | 20 | 5 | SML | C | A | 15.75 |
| 18.50 | 22 | 5 | LG | B | A | 16.75 |
| 19.00 | 20 | 7 | SML | C | B | 17.00 |
| 19.50 | 22 | 7 | LG | B | B | 18.00 |
| 20.00 | 22 | 7 | LG | C | B | 18.00 |

