



FUTURE
MOBILITY HEALTHCARE
DIVISION OF ABF MFG GROUP INC.
WWW.FUTUREMOBILITY.CA

AQUA
Rehab Commode
TL
TEL: 905-671-1661
FAX: 905-671-3377

Account Information	Order Date: _____
Account #: _____	P.O.#: _____
Business Name: _____	Phone: _____
Ship to Address: _____	City: _____
Fax: _____	Province: _____
Contact: _____	Postal Code: _____

- ① FRAME**
- Tilt Commode Attendant Propelled Stainless Steel (white) ----- 106C19 \$2,100
 - Tilt Commode Self Propelled Stainless Steel (white)----- 106C19S \$2,600

Features:

Seat Width 17"
 Seat Depth 17"
 Tilt angle 3° to 33°
 Seat to Floor Height 20" to 21-1/2" Adjustable without tools(Attendant Propelled w/4 casters)
 Casters 5" - Total Lock - Stainless Steel
 Skinned foam rectangular shaped back support
 Removable Seat (Thickness 2.5")
 Removable Pan Support
 Removable Pan with lid
 Anti tippers
 Finish - White Powder Coat

- ② SEAT WIDTH**
- ^A
- 14" Seat Width ----- 106SW14 No Charge
 - 17" Seat Width ----- 106SW17 No Charge
 - 20" Seat Width ----- 106SW20 \$250
 - 22" Heavy Duty Pkg 350lbs (comes with 2 gas cylinders) ----- 106HDSW22 \$500

- ③ SEAT DEPTH**
- ^A
- 14" Seat Depth ----- 106SD14 No Charge
 - 17" Seat Depth ----- 106SD17 No Charge

- ④ SEAT-TO-FLOOR HEIGHT**
- 20" ----- 106SF16 Standard
 - 20-3/4" ----- 106SF27 No Charge
 - 21-1/2" ----- 106SF19 No Charge
- * Seat to Floor measure without seatpad. (Thickness 2.5")

- ⑤ CASTER**
- 5" x 2" Polypropylene Caster ----- 106CW03 Standard

- ⑥ REAR WHEEL**
- 22" Composite Urethane Tires ----- 106RW04 Standard

- ⑦ ARM TYPE**
- Flip Up Fixed Height ----- 106AR30 Standard

- ⑧ PUSH OPTIONS**
- Stroller Handles ----- 106SH1 Standard

- ⑨ BACK TYPE**
- Low Back ----- 106BT1 Standard
 - High Back ----- 106BT2 No Charge

- ⑩ BACK OPTIONS**
- ^B
- Foam Skinned Back Support ----- 106BK47 Standard
 - Mesh Back with Tension Adjustment ----- 106BK46 No Charge

- ⑪ HEADREST HARDWARE OPTIONS**
- Stainless Steel Fixed Multi Axial Headrest ----- 106HE08 \$295
 - Stainless Steel Infinite Multi Axial Headrest ----- 106HE25 \$295



FOOTNOTES:

A. 14" Seat Depth only available with 14" Seat Width

B. Not available with 14" Wide Tilt Commode

⑫ HEADREST FOAM OPTIONS

- Large Foam Skinned Headrest Pad (HJ03) ----- 106HF3 \$150
- Small Foam Skinned Headrest Pad (HJ04) ----- 106HF1 \$120
- Curved Foam Skinned Headrest Pad (HJ09) ----- 106HF6 \$120

⑬ SEAT OPTIONS

- Removable Seat ----- 106SO1 Standard
- Removable Pan Support ----- 106SO2 Standard
- Removable Pan with Lid ----- 106SO3 Standard

⑭ FRONT RIGGING

- 60 Degree Swingaway Stainless Steel (white)----- 106FR20 \$220

⑮ FOOTPLATE TYPE

- Composite Flip-Up Footplates----- 106FP02 No Charge
- Composite Adjust Angle Flip-Up Footplate Spring Return ----- 106FP04 \$150

⑯ FOOTREST/LEGREST ACCESSORIES

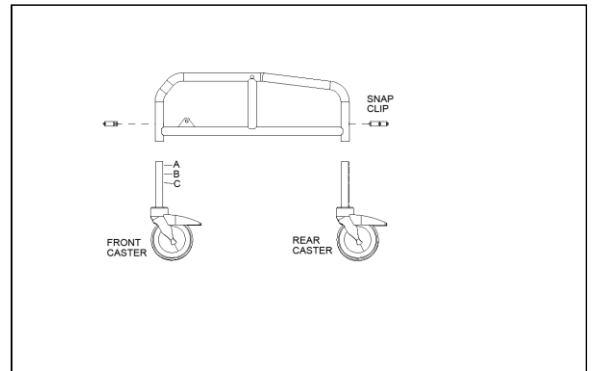
- Heel Loops ----- 106FA01 No Charge
- Omit Heel Loops ----- 106FA02 less net \$7

⑰ ACCESSORIES

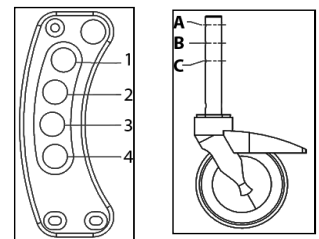
- Anti tippers ----- 106MA22 No Charge

**Seat to Floor
Height
Configurations**

STF HEIGHT MATRIX FOR ATTENDANT PROPELLED OPTION		
STF FRONT (INCHES)	STF REAR (INCHES)	CASTER HOLE
20.00	20.00	C
20.75	20.75	B
21.50	21.50	A



SEAT-TO-FLOOR HEIGHT MATRIX FOR SELF PROPELLED OPTION				
STF FRONT (INCHES)	STF REAR (INCHES)	REAR WHEEL (INCHES)	REAR WHEEL HOLE	CASTER HOLE
20.00	19.70	22"	3	C
20.75	20.70	22"	4	B
21.50	20.70	22"	4	A



WARRANTY

Future Mobility Healthcare Inc. warrants its Aqua Tilt Commode to be free from defects in materials and workmanship for one (1) year from the date of purchase. The frame is warranted for two (2) years of the original purchaser/user and the upholstery for 90 days, upon normal usage by original purchaser. If within this warranty period the product shall be proven to be defective, such product shall be repaired or replaced, at the discretion of Future Mobility Healthcare Inc.