



**FUTURE**  
MOBILITY HEALTHCARE  
DIVISION OF ABF MFG GROUP INC.  
WWW.FUTUREMOBILITY.CA

**AQUA**  
Rehab Commode  
NT  
TEL: 905-671-1661  
FAX: 905-671-3377

<b>Account Information</b>	Order Date: _____
Account #: _____	P.O.#: _____
Business Name: _____	Phone: _____
Ship to Address: _____	City: _____
Fax: _____	Province: _____ Postal Code: _____
Contact: _____	

**① FRAME TYPE**

- Commode Attendant Propelled Stainless Steel (white)----- 107C19      \$1,345
- Commode Self Propelled Stainless Steel (white)----- 107C19S      \$1,895

**② SEAT WIDTH**

- 17" Seat Width ----- 107SW17      No Charge
- 20" Seat Width ----- 107SW20      \$150
- 22" Seat Width ----- 107SW22      \$200

**③ SEAT DEPTH**

- 17" Seat Depth ----- 107SD17      No Charge

**④ SEAT-TO-FLOOR HEIGHT (on attendant propelled commode)**

- 16.5" ----- 107SF09      No Charge
- 17.5" ----- 107SF11      Standard
- 18.5" ----- 107SF13      No Charge
- 19.5" ----- 107SF15      No Charge

\* Seat to Floor measure without seatpad. (Thickness 2.75")

**⑤ CASTER SIZE**

- 5" x 2" Polypropylene Caster ----- 107CW03      Standard

**⑥ CASTER TYPE**

- Total Lock----- 107CT01      Standard

**⑦ WHEEL SIZE for Self Propelled Commode**

- A  20" Composite Urethane Tires ----- 107RW03      No Charge
- B  22" Composite Urethane Tires ----- 107RW04      Standard
- C  24" Composite Urethane Tires ----- 107RW05      No Charge

**⑧ HANDRIM OPTIONS for Self Propelled Commode**

- Chrome Plated ----- 107HR1      Standard
- Plastic Coated ----- 107HR2      \$160
- Omit Handrims ----- 107HR3      ess net \$15

**⑨ ARM TYPE**

- Cantilever Arm----- 107AR29      Standard
- Flip Back Fixed Height----- 107AR23      \$250

**⑩ PUSH OPTIONS**

- Stroller Handles ----- 107SH1      Standard

**⑪ BACK OPTIONS**

- Slip on Mesh Back Support ----- 107BK46      Standard
- Foam Skinned Back Support ----- 107BK47      No Charge

**Features:**

- Seat Width 17"
- Seat Depth 17"
- Adjustable Height Back
- Slip on Back Support
- Seat to Floor Height 16.5" to 19.5" adj. without tools  
on Attendant Propelled w/4 casters
- Casters 5" - Total Lock - Stainless Steel
- Cantilever Fixed Height Arm Supports
- Removable Seat ( Thickness 2.75" )
- Removable Pan Support
- Removable Pan with lid
- Finish - White Powder Coat



**FOOTNOTES:**  
A. Seat to Floor with 20" wheels is 16" or 18"  
B. Seat to Floor with 22" wheels is 17" or 19"  
C. Seat to Floor with 24" wheels is 18" or 20"

**12 SEAT OPTIONS**

- Removable Seat ----- 107SO1 Standard
- Removable Pan Support ----- 107SO2 Standard
- Removable Pan with Lid ----- 107SO3 Standard

**13 FRONT RIGGING**

- 50 Degree Swingaway Stainless Steel (white)----- 107FR13 \$195
- 70 Degree Swingaway Stainless Steel (white)----- 107FR22 \$210

**14 FOOTPLATE TYPE**

- Composite Flip-Up Footplates----- 107FP02 No Charge
- Composite Adj Angle Flip-Up Footplate Spring Return----- 107FP04 \$150

**15 FOOTREST/LEGREST ACCESSORIES**

- Heel Loops ----- 107FA01 No Charge
- Omit Heel Loops ----- 107FA02 less net \$7

**16 WHEEL LOCKS for Self Propelled Commode**

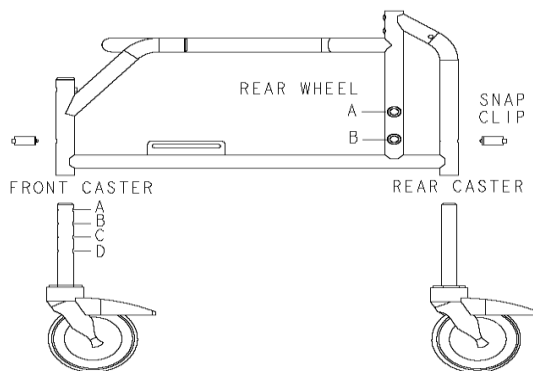
- Push-to-Lock Wheel Lock ----- 107WL1 Standard
- Wheel Lock Extension ----- 107WL3 \$35

**17 ANTI TIP**

- Rear Anti-Tippers ----- 107MA22 Standard

**18 MISCELLANEOUS ACCESSORIES for Self Propelled Commode**

- Quick Release Axles ----- 107AL1 \$110



SEAT-TO-FLOOR HEIGHT MATRIX					
COMMODE TYPE	STF FRONT	CASTER HOLE	REAR WHEEL HOLE	REAR WHEEL SIZE	STF REAR
ATTENDANT PROP.	16.50	D	N/A	N/A	16.50
ATTENDANT PROP.	17.50	C	N/A	N/A	17.50
ATTENDANT PROP.	18.50	B	N/A	N/A	18.50
ATTENDANT PROP.	19.50	A	N/A	N/A	19.50
SELF PROPELLED	16.25	D	A	20	15.75
SELF PROPELLED	17.25	C	A	22	16.50
SELF PROPELLED	18.25	B	B	20	17.75
SELF PROPELLED	18.25	B	A	24	17.50
SELF PROPELLED	19.25	A	B	22	18.50
SELF PROPELLED	19.50	A	B	24	19.25

**WARRANTY**  
 Future Mobility Healthcare Inc. warrants its Aqua Commode to be free from defects in materials and workmanship for one (1) year from the date of purchase. The frame is warranted for two (2) years of the original purchaser/user and the upholstery for 90 days, upon normal usage by original purchaser. If within this warranty period the product shall be proven to be defective, such product shall be repaired or replaced, at the discretion of Future Mobility Healthcare Inc.