



FUTURE

MOBILITY HEALTHCARE INC.

**GAS CYLINDERS
POSI-LOC**

PARTS MANUAL

FUTURE MOBILITY HEALTHCARE APPRECIATES YOUR BUSINESS.
OUR CUSTOMER SERVICE REPRESENTATIVES CAN BE CONTACTED AT:

**TO PLACE ORDERS:
(905) 671-1661**

FOR YOUR CONVENIENCE YOU MAY ALSO PLACE ORDERS BY FAX AT:

FAX: (905) 671-3377

PLEASE VISIT OUR WEBSITE AT:

www.futuremobility.ca

*Part prices and configurations included in this Parts Manual are subject to change without prior notice.

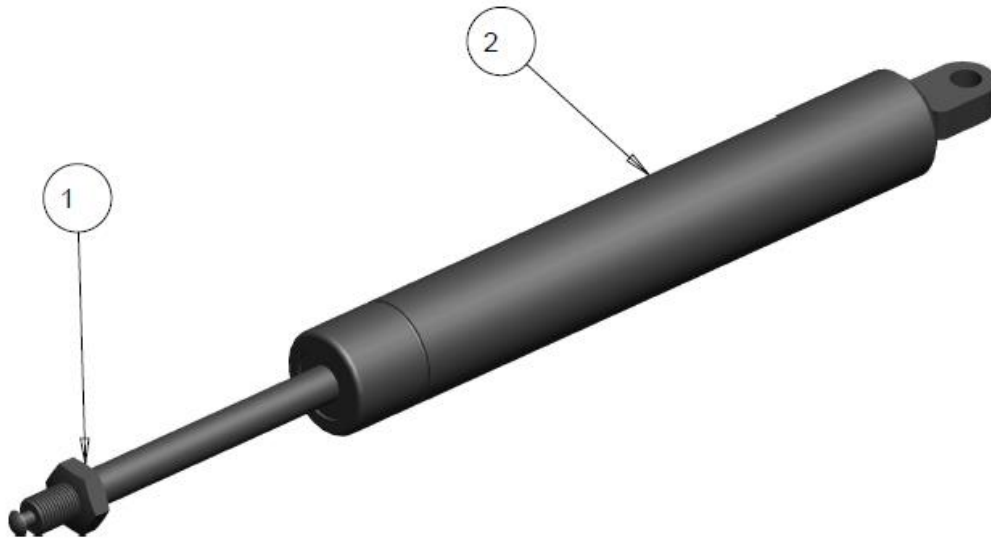
* All prices are shown as per unit individual price.

Contents

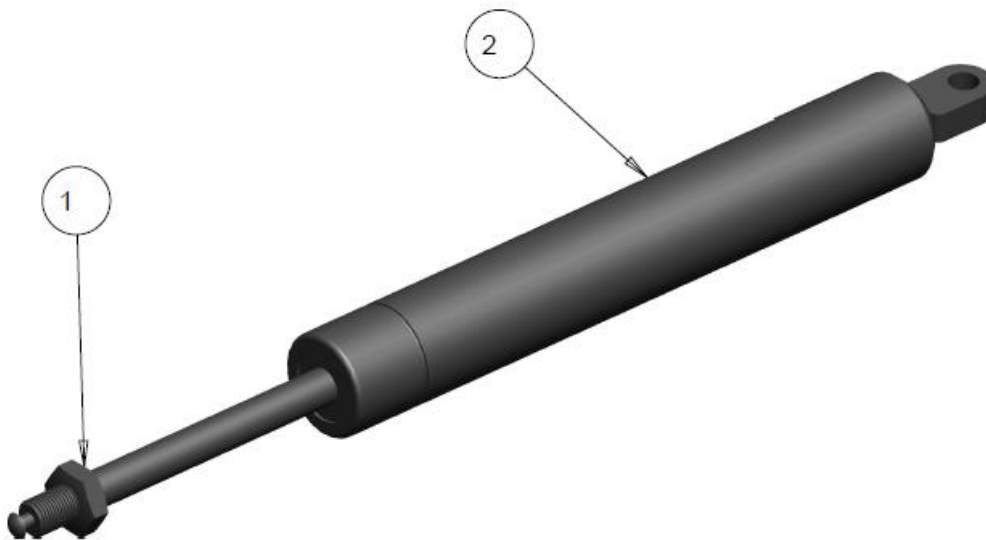
GAS CYLINDERS..... 5
 GAS CYLINDERS 80MM STROKE 5
 GAS CYLINDERS 60MM STROKE 5
 GAS CYLINDERS RELEASE ACTUATOR - WELDED 7
 GAS CYLINDERS RELEASE ACTUATOR – LOW FORCE..... 7
INDEX LOCK..... 7
 POSI-LOC..... 7

GAS CYLINDERS

GAS CYLINDERS 80MM STROKE



GAS CYLINDERS 60MM STROKE



GAS CYLINDERS 80MM STROKE- TABLE

ITEM	NOTES	QTY	PART NO.	DESCRIPTION	PRICE/ UNIT
1		1	1000931	JAM NUT M-10	\$2.50
2	A	1	1013860	GAS CYLINDER 80 MM STROKE-STABILUS , 200N	\$180.00
	B	1	1030151	GAS CYLINDER 80 MM STROKE-STABILUS , 400N	\$180.00
	C	1	1028581	GAS CYLINDER 80 MM STROKE-STABILUS , 600N	\$180.00
	D	1	1015340	GAS CYLINDER 80 MM STROKE-STABILUS , 800N	\$180.00
	E	1	1015339	GAS CYLINDER 80 MM STROKE-STABILUS , 1000N	\$180.00

NOTES:

- A – USED ON ORION III, AQUA TL, AQUA TLF
- B – NOT USED
- C – USED ON ORION II
- D – USED ON ORION II, ORION III, CAPELLA, CAPELLA 45
- E – USED ON ORION III, CAPELLA, CAPELLA 45

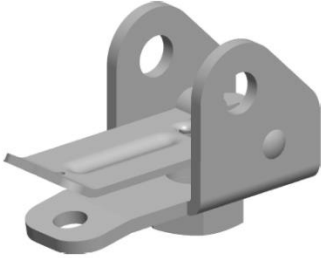
GAS CYLINDERS 60MM STROKE- TABLE

ITEM	NOTES	QTY	PART NO.	DESCRIPTION	PRICE/ UNIT
1		1	1001368	JAM NUT M-10 X 1.0 THIN BLACK	\$2.50
2	A	1	1013539	GAS CYLINDER 60 MM STROKE-STABILUS , 500N	\$175.00
	B	1	1010011	GAS CYLINDER 60 MM STROKE-STABILUS , 500N	\$175.00
	C	1	1014239	GAS CYLINDER 60 MM STROKE-STABILUS , 800N	\$180.00
	D	1	1015333	GAS CYLINDER 60 MM STROKE-STABILUS , 1000N	\$180.00

NOTES:

- A – USED ON ALL RECLINE BACK OPTIONS
- B – USED ON ORION 500
- C – USED ON CAPELLA (OLD STYLE 2 CYLINDER VERSION)
- D – USED ON CAPELLA (OLD STYLE 2 CYLINDER VERSION)

GAS CYLINDERS RELEASE ACTUATOR - WELDED

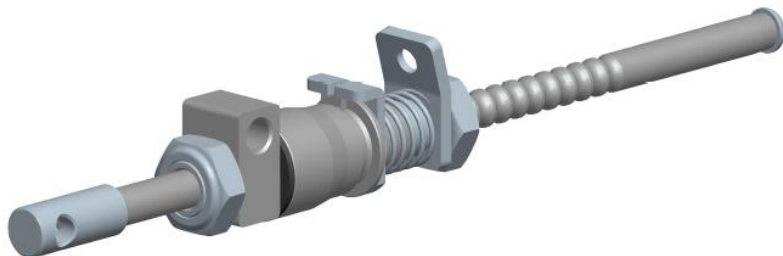


GAS CYLINDERS RELEASE ACTUATOR – LOW FORCE



INDEX LOCK

POSI-LOC



GAS CYLINDER RELEASE ACTUATOR- WELDED - TABLE

ITEM	NOTES	QTY	PART NO.	DESCRIPTION	PRICE/ UNIT
1		1	1013588	GAS CYLINDER RELEASE ACTUATOR SHORT	\$35.00
		1	1027250	SS GAS CYLINDER ACTUATOR HEAVY ASSY	\$50.00

NOTES:

GAS CYLINDER RELEASE ACTUATOR- LOW FORCE - TABLE

ITEM	QTY	NOTES	PART NO.	DESCRIPTION	PRICE/ PER UNIT
1	1		1029645	LOW FORCE RELEASE ACTUATOR	\$42.00

NOTES:

POSI-LOC- TABLE

ITEM	NOTES	QTY	PART NO.	DESCRIPTION	PRICE/ UNIT
1		1	1012410	POSI-LOCK INDEX LOCK	\$155.00

NOTES: