



**FUTURE**

---

MOBILITY HEALTHCARE INC.

**FOOTBOX**

**PARTS MANUAL**

FUTURE MOBILITY HEALTHCARE APPRECIATES YOUR BUSINESS.  
OUR CUSTOMER SERVICE REPRESENTATIVES CAN BE CONTACTED AT:

**TO PLACE ORDERS:  
(905) 671-1661**

FOR YOUR CONVENIENCE YOU MAY ALSO PLACE ORDERS BY FAX AT:

**FAX: (905) 671-3377**

PLEASE VISIT OUR WEBSITE AT:

**[www.futuremobility.ca](http://www.futuremobility.ca)**

\*Part prices and configurations included in this Parts Manual are subject to change without prior notice.

\* All prices are shown as per unit individual price.

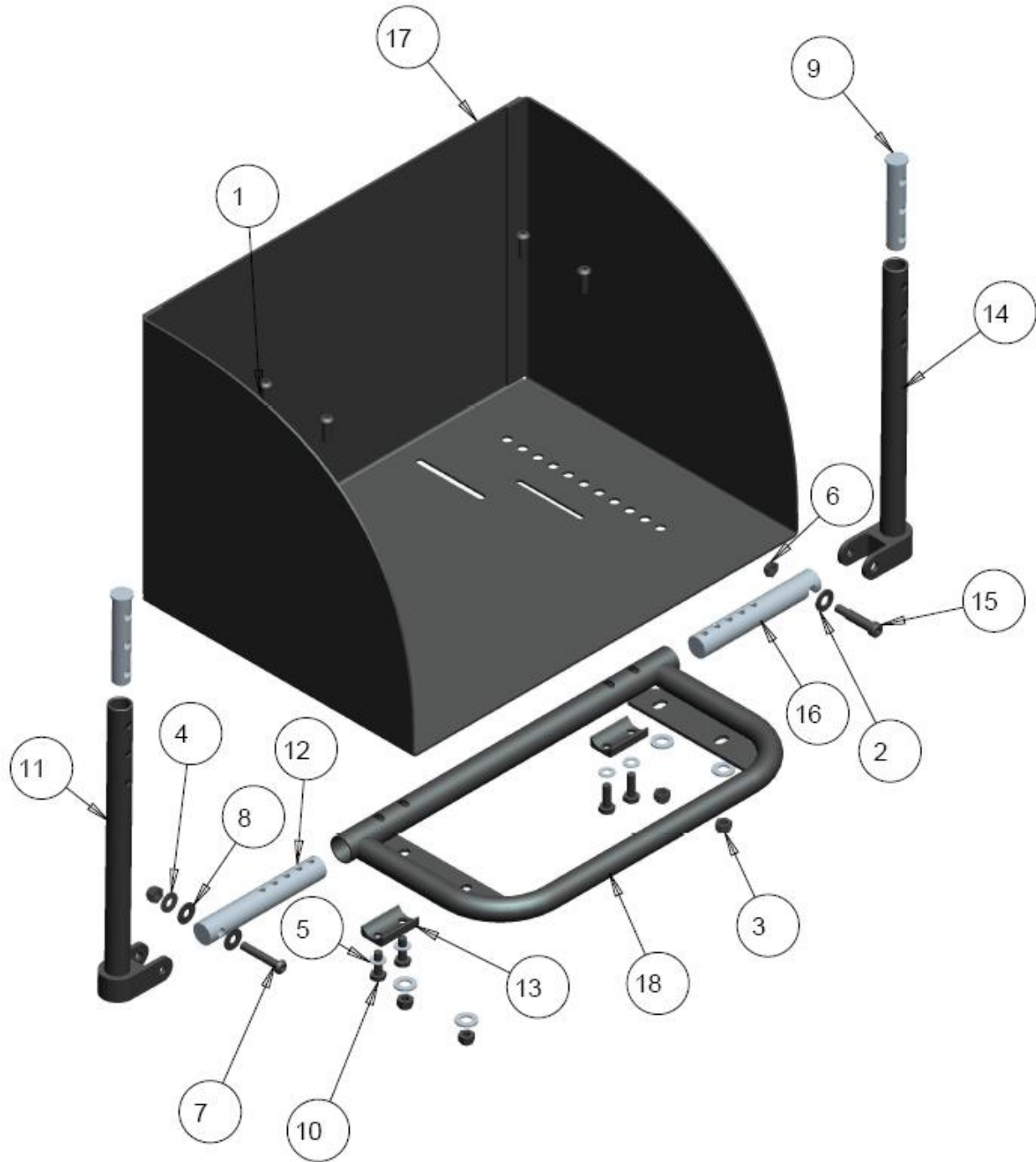
**Contents**

**FOOTBOX..... 5**  
ONE-PIECE PADDED FOOTBOX MOUNTING ASS'Y ..... 5  
SPLIT PADDED FOOTBOX MOUNTING ASS'Y ..... 7  
SOFT PADDED FOOTBOX ASS'Y ..... 9



# FOOTBOX

## ONE-PIECE PADDED FOOTBOX MOUNTING ASS'Y



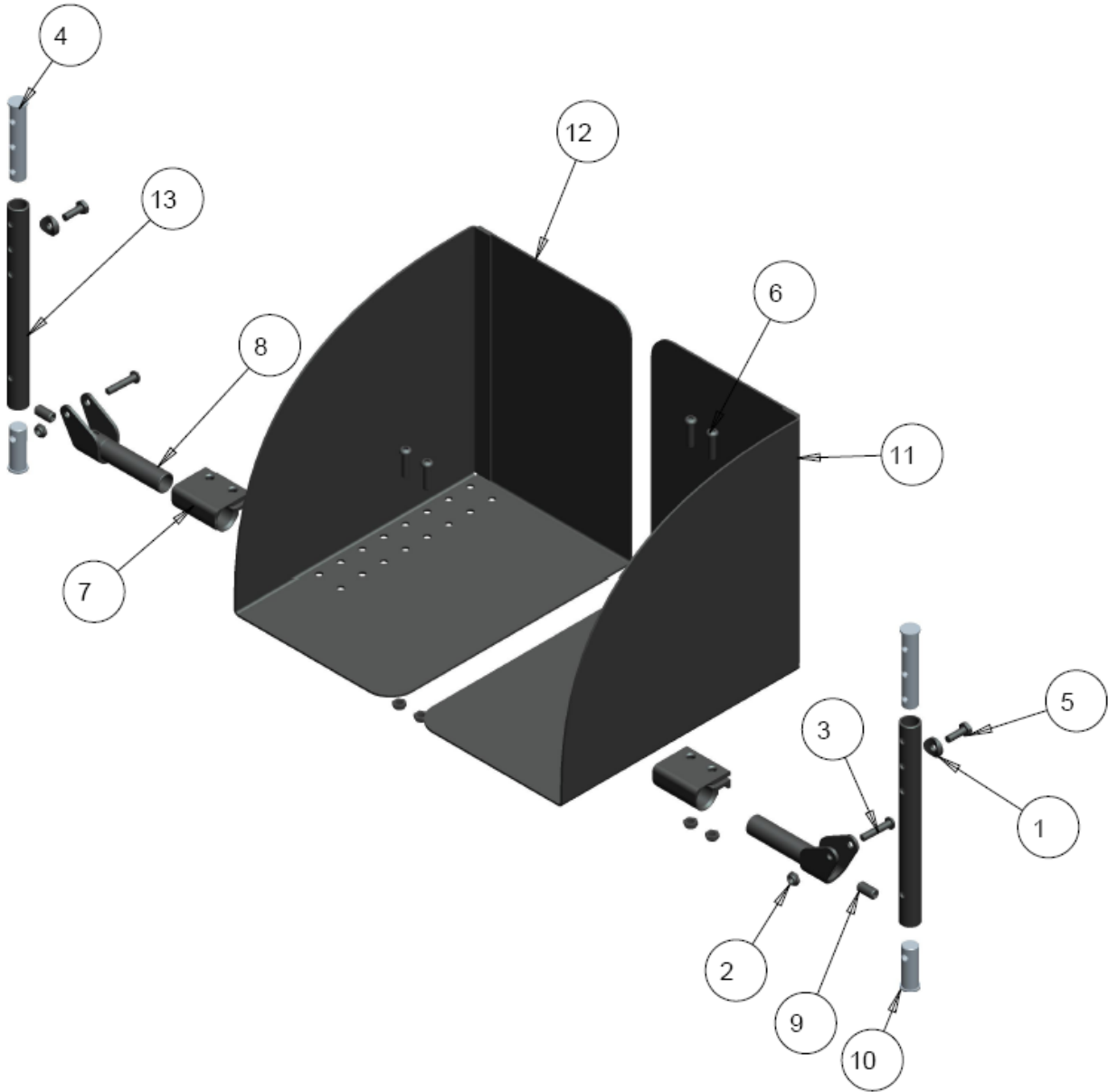
## ONE-PIECE PADDED FOOTBOX MOUNTING ASS'Y – TABLE

ITEM	QTY	NOTES	PART NO.	DESCRIPTION	PRICE/ PER UNIT
1	4		1001391	SCREW, SOCKET HEAD BUTTON, 1/4-20NC X 3/4	\$3.00
2	5		1000008	WASHER FLAT, 11/32 ID X 11/16 OD X 1/16 THK BLK	\$1.50
3	5		1000014	NUT, NYLOCK1/4-20NC, BLACK	\$2.00
4	1		1000024	WASHER FLAT SAE 1/4, ID17/64 OD 5/8 X .062 BLK	\$1.50
5	4		1000027	WASHER FLAT 1/4, ID .257 OD .50 THK .032	\$2.00
6	1		1000397	NUT, NYLOCK THIN 1/4-20NC, BLACK	\$2.00
7	1		1000493	SCREW, SOC HD BUTTON 1/4-20 X 1.50 BLACK	\$3.00
8	2		1000847	WASHER, NYLON .260 ID .687OD X .04 THK	\$1.50
9	2		1000901	INSERT PLUG, BOLT ON STEM	\$30.40
10	4		1000905	BOLT HEX 1/4-20 X 0.75 GRADE 5 BLACK	\$3.00
11	1		1001501	SIDE FOOTPLATE STEM. PIVOT	\$70.00
12	1		1001505	INSERT PLUG, U-TUBE	\$25.00
13	2		1001511	COVERED BLOCK, MACHINED	\$12.50
14	1		1027214	SIDE FOOTPLATE STEM RECEPTOR, SHORT	\$65.00
	1		1001540	SIDE FOOTPLATE STEM RECEPTOR, MEDIUM	\$70.00
	1		1027215	SIDE FOOTPLATE STEM RECEPTOR, LONG	\$75.00
15	1		1001543	SCREW, SOC SHOULDER 0.312 X 1.00 BLK	\$3.00
16	1		1003400	INSERT PLUG, NOTCHED, U-TUBE	\$36.00
17	1		1027277	ONE-PIECE FOOTBOX BASE SHELL, SMALL (151-171)	\$152.00
			1027288	ONE-PIECE FOOTBOX BASE SHELL, MEDIUM(181-201)	\$167.00
			1027289	ONE-PIECE FOOTBOX BASE SHELL, LARGE (211-231)	\$185.00
18	1		1001506	SIDE FLIP TUBE WELDMENT, SMALL (151-171)	\$100.00
	1		1001594	SIDE FLIP TUBE WELDMENT, MEDIUM (181-201)	\$122.50
	1		1001597	SIDE FLIP TUBE WELDMENT, LARGE (211-231)	\$133.50
19	1	A	1027196	COVER & PADDING FOR ONE-PIECE FOOTBOX, SMALL (151-171)	\$71.00
	1	A	1027197	COVER & PADDING FOR ONE-PIECE FOOTBOX, MED(181-201)	\$83.00
	1	A	1027198	COVER & PADDING FOR ONE-PIECE FOOTBOX, LARGE (211-231)	\$93.00
	1		1027866	ONE-PIECE PADDED FOOTBOX, SMALL (15"-17")	\$200.00
	1		1027867	ONE-PIECE PADDED FOOTBOX, MEDIUM (18"-20")	\$225.00
	1		1027868	ONE-PIECE PADDED FOOTBOX, LARGE (21"-23")	\$250.00
	1		<b>1027869</b>	<b>KIT, ONE-PIECE PADDED FOOTBOX WITH MOUNTING, SMALL (15"-17")</b>	<b>\$582.00</b>
	1		<b>1027870</b>	<b>KIT, ONE-PIECE PADDED FOOTBOX W/MOUNTING, MEDIUM (18"-20")</b>	<b>\$625.00</b>
	1		<b>1027871</b>	<b>KIT, ONE-PIECE PADDED FOOTBOX WITH MOUNTING, LARGE (21"-23")</b>	<b>\$657.00</b>
		B22070-22104			

### NOTES:

A- NOT SHOWN

# SPLIT PADDED FOOTBOX MOUNTING ASS'Y



## SPLIT PADDED FOOTBOX MOUNTING ASS'Y – TABLE

ITEM	QTY	NOTES	PART NO.	DESCRIPTION	PRICE/ PER UNIT
1	2		1000113	SPACER, COVERED 1/4 HOLE	\$3.50
2	6		1000397	NUT, NYLOCK THIN 1/4-20NC, BLACK	\$2.00
3	2		1000416	SCREW SOCKET HEAD BUTTON, 1/4-20 X 1.25	\$3.00
4	2		1000901	INSERT PLUG, BOLT ON STEM	\$30.40
5	2		1000905	BOLT HEX 1/4-20 X .75 GRADE 5 BLACK	\$3.00
6	4		1001381	SOC HD SCREW 1/4-20 X 1.00	\$3.00
7	2		1006054	FOOTPLATE CLAMP	\$25.00
8	2		1008422	PIVOT BRACKET WELDMENT	\$34.70
9	2		1008430	SET SCREW 0.375 X .75 FLAT POINT	\$3.00
10	2		1013059	INSERT PLUG FOOTPLATE STEM PIVOT	\$23.20
11	1		1027290	SPLIT FOOTBOX BASE SHELL, SMALL (151-171), LT	\$76.00
	1		1027292	SPLIT FOOTBOX BASE SHELL, MEDIUM (181-201), LT	\$83.50
	1		1027294	SPLIT FOOTBOX BASE SHELL, LARGE (211-231), LT	\$92.50
12	1		1027291	SPLIT FOOTBOX BASE SHELL, SMALL (151-171), RT	\$76.00
	1		1027293	SPLIT FOOTBOX BASE SHELL, MEDIUM (181-201), RT	\$83.50
	1		1027295	SPLIT FOOTBOX BASE SHELL, LARGE (211-231), RT	\$92.50
13	2		1008427	STEM SHORT	\$30.00
	2		1008428	STEM MEDIUM	\$38.00
	2		1008429	STEM LONG	\$45.00
14	1	A	1027199	COVER & PADDING FOR SPLIT FOOTBOX, SMALL (151-171), LT	\$35.50
	1	A	1027200	COVER & PADDING FOR SPLIT FOOTBOX, MEDIUM (181-201), LT	\$41.50
	1	A	1027201	COVER & PADDING FOR SPLIT FOOTBOX, ALRGE (211-241), LT	\$46.50
	1	A	1027202	COVER & PADDING FOR SPLIT FOOTBOX, SMALL (151-171), RT	\$35.50
	1	A	1027203	COVER & PADDING FOR SPLIT FOOTBOX, MEDIUM (181-201), RT	\$41.50
	1	A	1027204	COVER & PADDING FOR SPLIT FOOTBOX, ALRGE (211-241), RT	\$46.50
	1		1027872	SPLIT PADDED FOOTBOX, SMALL (15"-17"), LT	\$100.00
	1		1027873	SPLIT PADDED FOOTBOX, MEDIUM (18"-20"), LT	\$113.00
	1		1027874	SPLIT PADDED FOOTBOX, LARGE (21"-23"), LT	\$125.00
	1		1027875	SPLIT PADDED FOOTBOX, SMALL (15"-17"), RT	\$100.00
	1		1027876	SPLIT PADDED FOOTBOX, MEDIUM (18"-20"), RT	\$113.00
	1		1027877	SPLIT PADDED FOOTBOX, LARGE (21"-23"), RT	\$125.00
	1		1027878	SPLIT PADDED FOOTBOX, SMALL (15"-17"), PAIR	\$200.00
	1		1027879	SPLIT PADDED FOOTBOX, MEDIUM (18"-20"), PAIR	\$226.00
	1		1027880	SPLIT PADDED FOOTBOX, LARGE (21"-23"), PAIR	\$250.00
	1		1027881	SPLIT PADDED FOOTBOX WITH MOUNTING, SMALL,(15"-17"), LT	\$247.00
	1		1027882	SPLIT PADDED FOOTBOX WITH MOUNTING, MED,(18"-20"), LT	\$266.00
	1		1027883	SPLIT PADDED FOOTBOX WITH MOUNTING, LARGE,(21"-23"), LT	\$285.00
	1		1027884	SPLIT PADDED FOOTBOX WITH MOUNTING, SMALL,(15"-17"), RT	\$247.00
	1		1027885	SPLIT PADDED FOOTBOX WITH MOUNTING, MED,(18"-20"), RT	\$266.00
	1		1027886	SPLIT PADDED FOOTBOX WITH MOUNTING, LARGE,(21"-23"), RT	\$285.00
	1		1027887	SPLIT PADDED FOOTBOX WITH MOUNTING, SM,(15"-17"), PAIR	\$495.00
	1		1027888	SPLIT PADDED FOOTBOX WITH MOUNTING, MED,(18"-20"), PAIR	\$533.00
	1		1027889	SPLIT PADDED FOOTBOX WITH MOUNTING, LG,(21"-23"), PAIR	\$571.00
		B22110-22154			

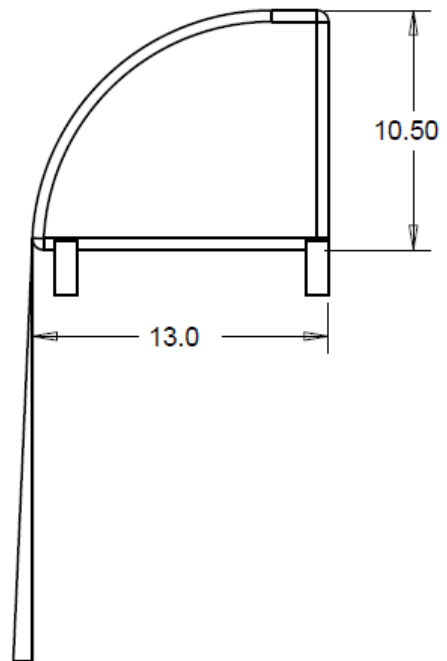
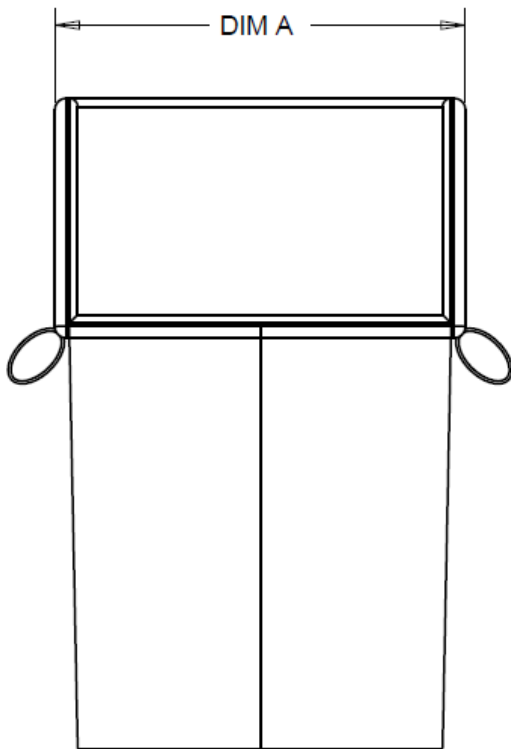
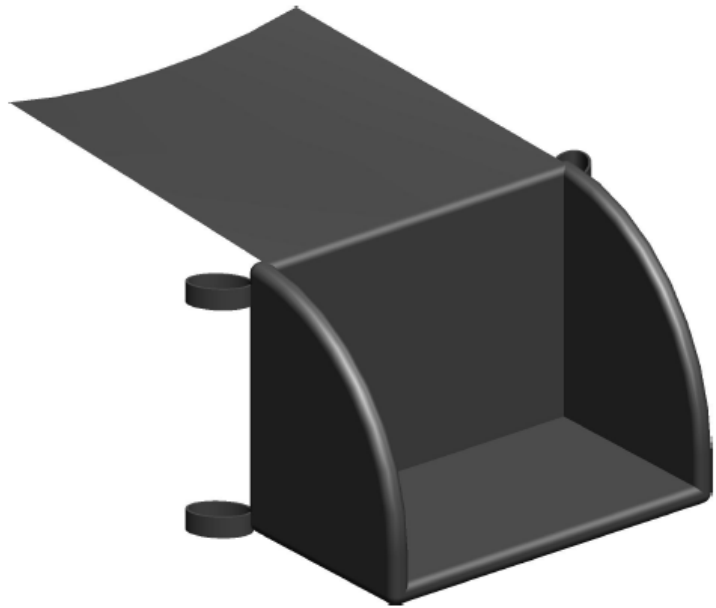
**NOTES:**

A- NOT SHOWN



# SOFT PADDED FOOTBOX ASSY

DESCRIPTION		
PART #	CHAIR WIDTH	DIM A
1030236	15	13"
1030237	16	14"
1030238	17	15"
1030239	18	16"
1030240	19	17"
1030241	20	18"
1030242	21	19"
1030243	22	20"
1030244	23	21"
1030245	24	22"



## SOFT PADDED FOOTBOX ASS'Y – TABLE

ITEM	QTY	NOTES	PART NO.	DESCRIPTION	PRICE/ PER UNIT
1	1		1030236	SOFT PADDED FOOTBOX 15" CHAIR WIDTH	\$275.00
	1		1030237	SOFT PADDED FOOTBOX 16" CHAIR WIDTH	\$275.00
	1		1030238	SOFT PADDED FOOTBOX 17" CHAIR WIDTH	\$275.00
	1		1030239	SOFT PADDED FOOTBOX 18" CHAIR WIDTH	\$275.00
	1		1030240	SOFT PADDED FOOTBOX 19" CHAIR WIDTH	\$275.00
	1		1030241	SOFT PADDED FOOTBOX 20" CHAIR WIDTH	\$300.00
	1		1030242	SOFT PADDED FOOTBOX 21" CHAIR WIDTH	\$300.00
	1		1030243	SOFT PADDED FOOTBOX 22" CHAIR WIDTH	\$300.00
	1		1030244	SOFT PADDED FOOTBOX 23" CHAIR WIDTH	\$300.00
	1		1030245	SOFT PADDED FOOTBOX 24" CHAIR WIDTH	\$300.00
		B22160- 22171			

### NOTES:

MOUNTS ONTO EXISTING SWING-AWAY FOOTPLATES OR ONE PIECE FOOTBOARD.