



**FUTURE**

MOBILITY HEALTHCARE INC.

**ELEVATING  
LEGREST**

**PARTS MANUAL**

FUTURE MOBILITY HEALTHCARE APPRECIATES YOUR BUSINESS.  
OUR CUSTOMER SERVICE REPRESENTATIVES CAN BE CONTACTED AT:

**TO PLACE ORDERS:  
(905) 671-1661**

FOR YOUR CONVENIENCE YOU MAY ALSO PLACE ORDERS BY FAX AT:

**FAX: (905) 671-3377**

PLEASE VISIT OUR WEBSITE AT:

**[www.futuremobility.ca](http://www.futuremobility.ca)**

\*Part prices and configurations included in this Parts Manual are subject to change without prior notice.

\* All prices are shown as per unit individual price.

## Contents

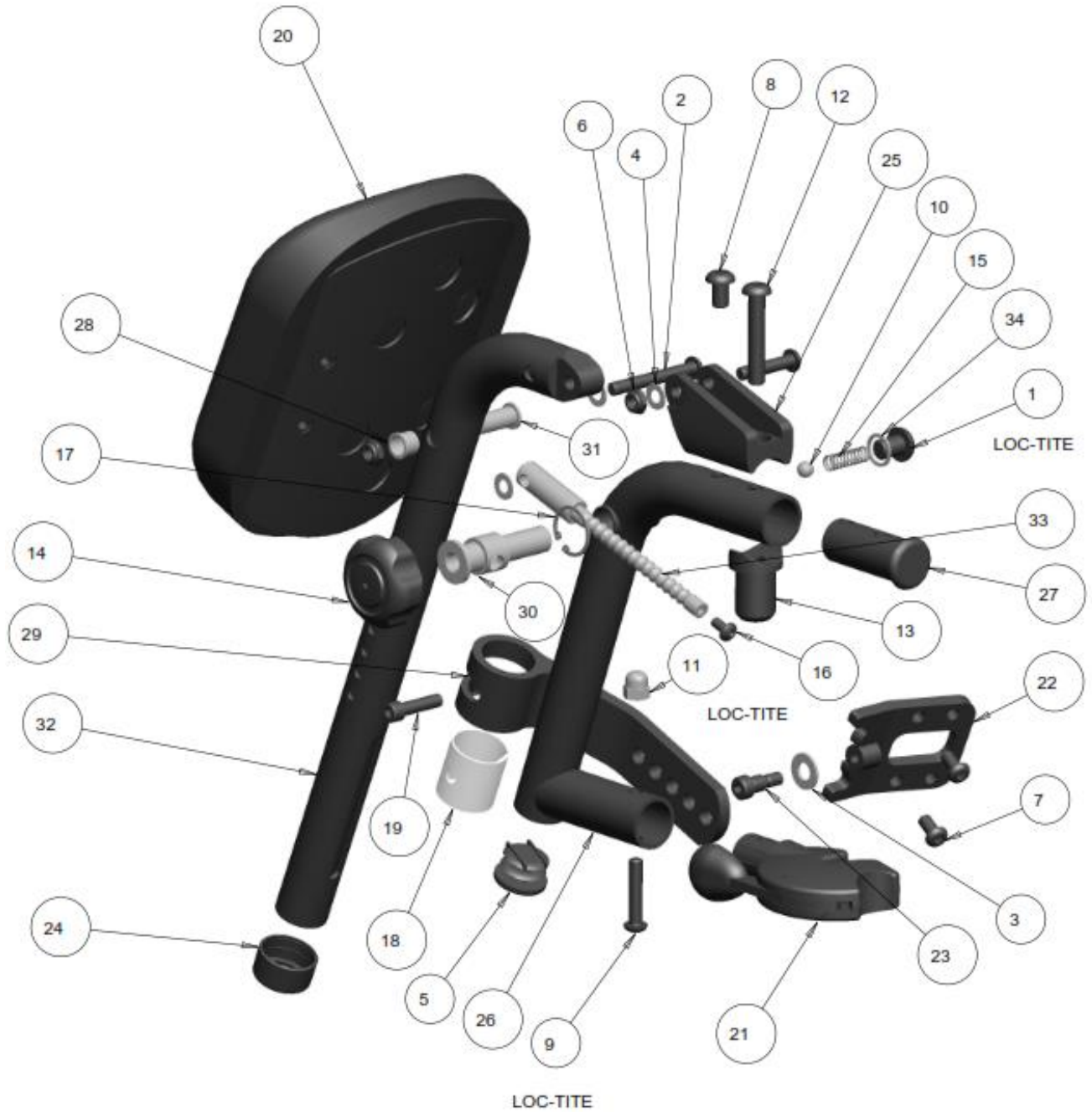
<b>ELEVATING LEGREST .....</b>	<b>5</b>
ELEVATING LEGREST CENTER PIVOT.....	5
ELEVATING LEGREST DUAL SWING AWAY .....	9
ELEVATING LEGREST ON STELLATO .....	13
SWINGAWAY ELEVATING LEGREST ON GALAXY LITE .....	15
DUAL SWINGAWAY ELEVATING LEGREST ON GALAXY LITE.....	17
LEGREST HANGER U-BOLT STYLE, ELEVATING.....	19
LEGREST HANGER DUAL ELEVATING.....	21
LEGREST HANGER DUAL ELEVATING (CAPELLA / CAPELLA 45).....	23



# ELEVATING LEGREST

## ELEVATING LEGREST CENTER PIVOT

SEE PARTS LIBRARY – [SWING AWAY LEGREST](#) FOR AVAILABLE HANGERS



## ELEVATING LEGREST CENTER PIVOT - TABLE

ITEM	QTY	NOTES	PART NO.	DESCRIPTION	PRICE/ PER UNIT
1	1		1002707	SCREW, SOCKET HEAD BUTTON, 3/8-24 UNF X 1/2	\$4.00
2	1		1002708	SCREW, SOCKET HEAD BUTTON 1/4-20 X 2.00	\$3.00
3	2		1000008	WASHER_FLAT_11/16_OD_11/32_ID_11/16_THK_BLK	\$1.50
4	3		1000027	WASHER .260 ID .500 OD .031 THK	\$2.00
5	1		1000392	ROUND PLUG TUBE, 1.00" DIA FLAT	\$3.00
6	2		1000397	NUT, HEX-NYLOCK THIN, 1/4-20NC	\$2.00
7	2		1000411	SCREW,SOC BUTTON HEAD 1/4-20 X 0.500	\$3.00
8	1		1000413	SCREW, SOCKET HEAD BUTTON 5/16-18 X 0.5	\$3.75
9	2		1000416	SCREW SOCKET HEAD BUTTON, 1/4-20 X 1.25	\$3.00
10	1		1000432	BEARING, BAL .312 CHROME	\$3.00
11	1		1000787	ACORN NUT, 1/4-20 STAINLESS 0.510 HIGH	\$6.00
12	1		1001386	SCREW, SOCKET HEAD BUTTON 5/16-18 X 1.75	\$3.00
13	1		1001401	PIVOT PLUG, SWINGAWAY LEGREST 5/16 BOLT THREADED	\$28.00
14	1		1002710	5 LOBE HANDLE - LEGREST	\$34.50
15	1		1002713	SPRING, COMPRESSION .30 OD .03 WIRE	\$3.00
16	1		1002714	SCREW, PHILLIPS PAN HEAD, #10-32NF X 3/8 SS	\$3.00
17	1		1002715	RETAINING RING INTERNAL .961	\$1.50
18	1		1002720	NYLINER BUSHING 1.00 ID 1.125 LG	\$10.00
19	1		1002723	SCREW, SOCKET HEAD CAP, 1/4-28NF X 1	\$3.00
20	1		1005356	SMALL CALF PAD CURVED ASS'Y WITH COVER (12-14 WIDTHS)	\$84.00
	1		1005233	MEDIUM CALF PAD CURVED ASS'Y WITH COVER (14-16 WIDTHS)	\$84.00
	1		1003116	LARGE CALF PAD CURVED ASS'Y WITH COVER (16-20 WIDTHS)	\$84.00
	1		1015364	X-LARGE CALF PAD CURVED ASS'Y WITH COVER (22" AND UP)	\$84.00
21	1		1003355	SWINGAWAY LATCH ASS'Y, PULL	\$49.00
22	1		1004654	HINGE PLATE CALF PAD, WELDMENT	\$17.50
23	1		1004655	SCREW, SOCKET SHOULDER DIA.312 X .375 LG	\$5.00
24	1		1006834	GLIDE BUSHING 1.00 TO 0.75 SIMPLE	\$5.00
25	1		1006852	PIVOT BRACKET EXTRUSION	\$35.00
26	1		1006855	PIVOT WELDMENT, 70 DEG ELEVATING	\$75.00
27	1		1006856	INSERT PLUG, ELEVATING LEGREST	\$20.00
28	1		1006858	PIVOT BUSHING, END PLUG	\$5.00
29	1		1006860	CALF SUPPORT BRACKET, MACHINED	\$40.00
30	1		1006883	PIVOT STEM, ELEVATING LEGREST ALUM	\$27.00
31	1		1006885	PIVOT BUSHING, ELEVATING TUBE ALUM	\$6.00
32	1		1006886	LONG ELEVATING TUBE WELDMENT	\$85.00
	1		1021599	SHORT ELEVATING TUBE - WELDMENT	\$85.00
33	1		1031642	MAIN INDEX ROD, ELEVATING LEGREST	\$55.00
34	1		1032320	WASHER 0.50 ID X .625 OD X .045 THK	\$1.50
	1	A	1006891	COMPLETE, ELEVATING LEG REST- LT - SM CALFPAD (12-14")	\$325.00
	1	A	1006892	COMPLETE, ELEVATING LEG REST- RT - SM CALFPAD (12-14")	\$325.00
	1	A	1021517	COMPLETE, ELEVATING LEG REST- LT - MED CALFPAD (14-16")	\$325.00
	1	A	1021518	COMPLETE, ELEVATING LEG REST- RT - MED CALFPAD (14-16")	\$325.00
	1	A	1006889	COMPLETE, ELEVATING LEG REST- LT - LG CALFPAD (16-20")	\$325.00
	1	A	1006890	COMPLETE, ELEVATING LEG REST- RT - LG CALFPAD (16-20")	\$325.00
	1	A	1021519	COMPLETE, ELEVATING LEG REST- LT - X-LG CALFPAD (22"-UP)	\$325.00
	1	A	1021520	COMPLETE, ELEVATING LEG REST- RT - X-LG CALFPAD (22"-UP)	\$325.00
	1	A	1028377	COMPLETE, ELEVATING LEG REST- PAIR- SM CALFPAD (12-14")	\$650.00
	1	A	1028378	COMPLETE, ELEVATING LEG REST- PAIR- MED CALFPAD (14-16")	\$650.00
	1	A	1028379	COMPLETE, ELEVATING LEG REST- PAIR- LG CALFPAD (16-20")	\$650.00
	1	A	1028380	COMPLETE, ELEVATING LEG REST- PAIR- X-LG CALFPAD (22-UP")	\$650.00

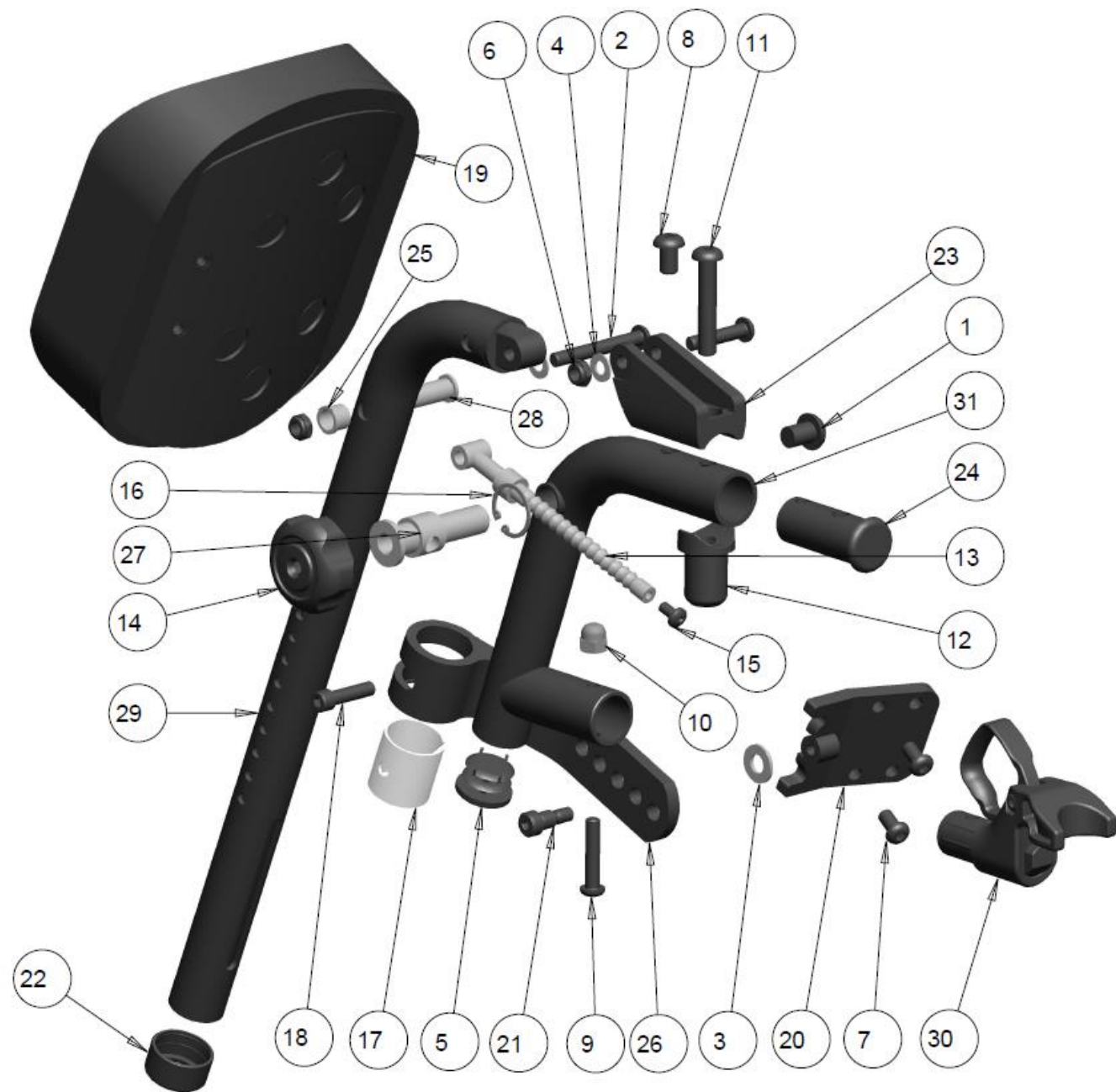
ITEM	QTY	NOTES	PART NO.	DESCRIPTION	PRICE/ UNIT
	1	A	1028636	SHORT, ELEVATING LEG REST- LT - SM CALFPAD (12-14")	\$325.00
	1	A	1028637	SHORT, ELEVATING LEG REST- RT - SM CALFPAD (12-14")	\$325.00
	1	A	1028638	SHORT, ELEVATING LEG REST- LT - MED CALFPAD (14-16")	\$325.00
	1	A	1028639	SHORT, ELEVATING LEG REST- RT - MED CALFPAD (14-16")	\$325.00
	1	A	1028640	SHORT, ELEVATING LEG REST- LT - LG CALFPAD (16-20")	\$325.00
	1	A	1028641	SHORT, ELEVATING LEG REST- RT - LG CALFPAD (16-20")	\$325.00
	1	A	1028642	SHORT, ELEVATING LEG REST- LT - X-LG CALFPAD (22"-UP)	\$325.00
	1	A	1028643	SHORT, ELEVATING LEG REST- RT - X-LG CALFPAD (22"-UP)	\$325.00
	1	A	1028644	SHORT, ELEVATING LEG REST- PAIR- SM CALFPAD (12-14")	\$650.00
	1	A	1028645	SHORT, ELEVATING LEG REST- PAIR- MED CALFPAD (14-16")	\$650.00
	1	A	1028646	SHORT, ELEVATING LEG REST- PAIR- LG CALFPAD (16-20")	\$650.00
	1	A	1028647	SHORT, ELEVATING LEG REST- PAIR- X-LG CALFPAD (22-UP")	\$650.00
	1	B	1029014	ELEVATING LEGREST HINGE PAD	\$70.00

**NOTES: A – FOOTPLATE AND STEM NOT INCLUDED  
B – ITEM NOT SHOWN (SOLD AS A PAIR)**





## ELEVATING LEGREST DUAL SWING AWAY



SEE PARTS LIBRARY – [SWING AWAY LEGREST](#) FOR AVAILABLE HANGERS

## ELEVATING LEGREST DUAL SWING AWAY – TABLE

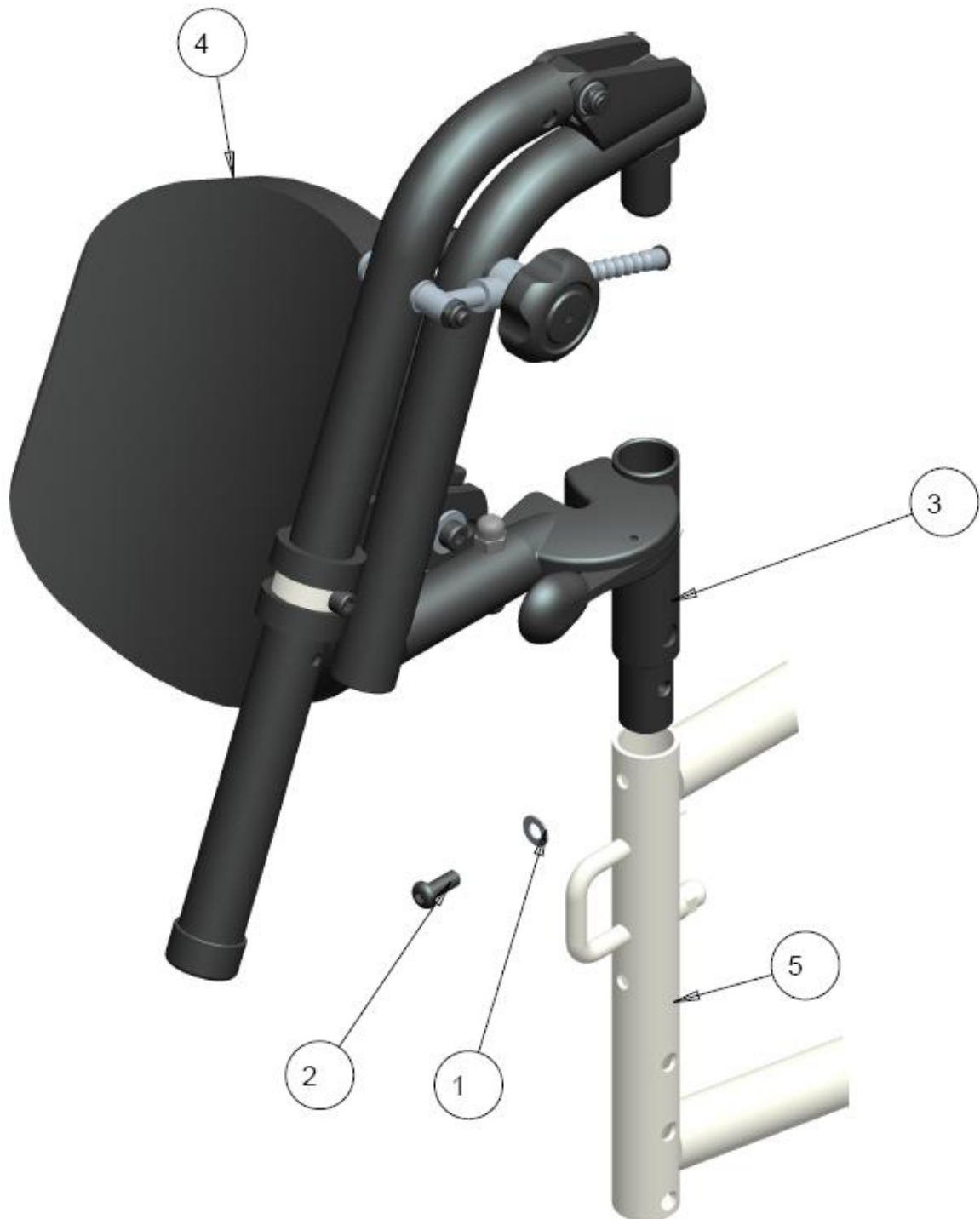
ITEM	QTY	NOTES	PART NO.	DESCRIPTION	PRICE/ UNIT
1	1		1002707	SCREW, SOCKET HEAD BUTTON, 3/8-24 UNF X 1/2	\$4.00
2	1		1002708	SCREW, SOCKET HEAD BUTTON 1/4-20 X 2.00	\$3.00
3	2		1000008	WASHER_FLAT_11/16_OD_11/32_ID_11/16_THK_BLK	\$1.50
4	2		1000027	WASHER 1/4 ID STEEL	\$1.50
5	1		1000392	ROUND PLUG TUBE, 1.00" DIA FLAT	\$2.50
6	2		1000397	NUT, HEX-NYLOCK THIN, 1/4-20NC	\$2.00
7	2		1000411	SCREW,SOC BUTTON HEAD 1/4-20 X 0.500	\$3.00
8	1		1000413	SCREW, SOCKET HEAD BUTTON 5/16-18 X 0.5	\$3.00
9	2		1000416	SCREW SOCKET HEAD BUTTON, 1/4-20 X 1.25	\$3.00
10	1		1000787	ACORN NUT, 1/4-20 STAINLESS 0.510 HIGH	\$6.00
11	1		1001386	SCREW, SOCKET HEAD BUTTON 5/16-18 X 1.75	\$3.00
12	1		1001401	PIVOT PLUG, SWINGAWAY LEGREST 5/16 BOLT THREADED	\$28.00
13	1		1002705	INDEX ROD WELDMENT	\$46.00
14	1		1002710	5 LOBE HANDLE - LEGREST	\$34.50
15	1		1002714	SCREW, PHILLIPS PAN HEAD, #10-32NF X 3/8 SS	\$3.00
16	1		1002715	RETAINING RING INTERNAL .961	\$1.50
17	1		1002720	NYLINER BUSHING 1.00 ID 1.125 LG	\$10.00
18	1		1002723	SCREW, SOCKET HEAD CAP, 1/4-28NF X 1	\$3.00
19	1		1005356	SMALL CALF PAD CURVED ASS'Y WITH COVER (12-14 WIDTHS)	\$84.00
	1		1005233	MEDIUM CALF PAD CURVED ASS'Y WITH COVER (14-16 WIDTHS)	\$84.00
	1		1003116	LARGE CALF PAD CURVED ASS'Y WITH COVER (16-20 WIDTHS)	\$84.00
	1		1015364	X-LARGE CALF PAD CURVED ASS'Y WITH COVER (22" AND UP)	\$84.00
20	1		1004654	HINGE PLATE CALF PAD, WELDMENT	\$17.50
21	1		1004655	SCREW, SOCKET SHOULDER DIA.312 X .375 LG	\$5.00
22	1		1006834	GLIDE BUSHING 1.00 TO 0.75 SIMPLE	\$5.00
23	1		1006852	PIVOT BRACKET EXTRUSION	\$35.00
24	1		1006856	INSERT PLUG, ELEVATING LEGREST	\$20.00
25	1		1006858	PIVOT BUSHING, END PLUG	\$5.00
26	1		1006860	CALF SUPPORT BRACKET, MACHINED	\$40.00
27	1		1006883	PIVOT STEM, ELEVATING LEGREST ALUM	\$27.00
28	1		1006885	PIVOT BUSHING, ELEVATING TUBE ALUM	\$6.00
29	1		1006886	ELEVATING TUBE - LONG	\$85.00
	1		1021599	ELEVATING TUBE - SHORT	\$85.00
30	1		1010222	DUAL LATCH MAIN ASS'Y	\$56.00
31	1		1014381	DUAL ELEVATING PIVOT WELD	\$75.00
	1	A	1021522	DUAL, ELEVATING LEG REST- LT - SM CALFPAD (12-14")	\$365.00
	1	A	1021523	DUAL, ELEVATING LEG REST- RT - SM CALFPAD (12-14")	\$365.00
	1	A	1021524	DUAL, ELEVATING LEG REST- LT - MED CALFPAD (14-16")	\$365.00
	1	A	1021525	DUAL, ELEVATING LEG REST- RT - MED CALFPAD (14-16")	\$365.00
	1	A	1021526	DUAL, ELEVATING LEG REST- LT - LG CALFPAD (16-20")	\$365.00
	1	A	1021527	DUAL, ELEVATING LEG REST- RT - LG CALFPAD (16-20")	\$365.00
	1	A	1021528	DUAL, ELEVATING LEG REST- LT - X-LG CALFPAD (22"-UP)	\$365.00
	1	A	1021529	DUAL, ELEVATING LEG REST- RT - X-LG CALFPAD (22"-UP)	\$365.00
	1	A	1028381	DUAL, ELEVATING LEG REST- PAIR - SM CALFPAD (12-14")	\$730.00
	1	A	1028382	DUAL, ELEVATING LEG REST- PAIR - MED CALFPAD (14-16")	\$730.00
	1	A	1028383	DUAL, ELEVATING LEG REST- PAIR - LG CALFPAD (16-20")	\$730.00
	1	A	1028384	DUAL, ELEVATING LEG REST- PAIR - X-LG CALFPAD (22-UP")	\$730.00

ITEM	QTY	NOTES	PART NO.	DESCRIPTION	PRICE/ UNIT
	1	A	1028648	DUAL, SHORT ELEV LEG REST- LT - SM CALFPAD (12-14")	\$365.00
	1	A	1028649	DUAL, SHORT ELEV LEG REST- RT - SM CALFPAD (12-14")	\$365.00
	1	A	1028650	DUAL, SHORT ELEV LEG REST- LT - MED CALFPAD (14-16")	\$365.00
	1	A	1028651	DUAL, SHORT ELEV LEG REST- RT - MED CALFPAD (14-16")	\$365.00
	1	A	1028652	DUAL, SHORT ELEV LEG REST- LT - LG CALFPAD (16-20")	\$365.00
	1	A	1028653	DUAL, SHORT ELEV LEG REST- RT - LG CALFPAD (16-20")	\$365.00
	1	A	1028654	DUAL, SHORT ELEV LEG REST- LT - X-LG CALFPAD (22"-UP)	\$365.00
	1	A	1028655	DUAL, SHORT ELEV LEG REST- RT - X-LG CALFPAD (22"-UP)	\$365.00
	1	A	1028657	DUAL, SHORT ELEV LEG REST- PAIR - SM CALFPAD (12-14")	\$730.00
	1	A	1028658	DUAL, SHORT ELEV LEG REST- PAIR - MED CALFPAD (14-16")	\$730.00
	1	A	1028659	DUAL, SHORT ELEV LEG REST- PAIR - LG CALFPAD (16-20")	\$730.00
	1	A	1028660	DUAL, SHORT ELEV LEG REST- PAIR - X-LG CALFPAD (22"-UP)	\$730.00
	1	B	1029014	ELEVATING LEGREST HINGE PAD	\$70.00

**NOTES: A – FOOTPLATE AND STEM NOT INCLUDED  
B – ITEM NOT SHOWN (SOLD AS A PAIR)**



## ELEVATING LEGREST ON STELLATO



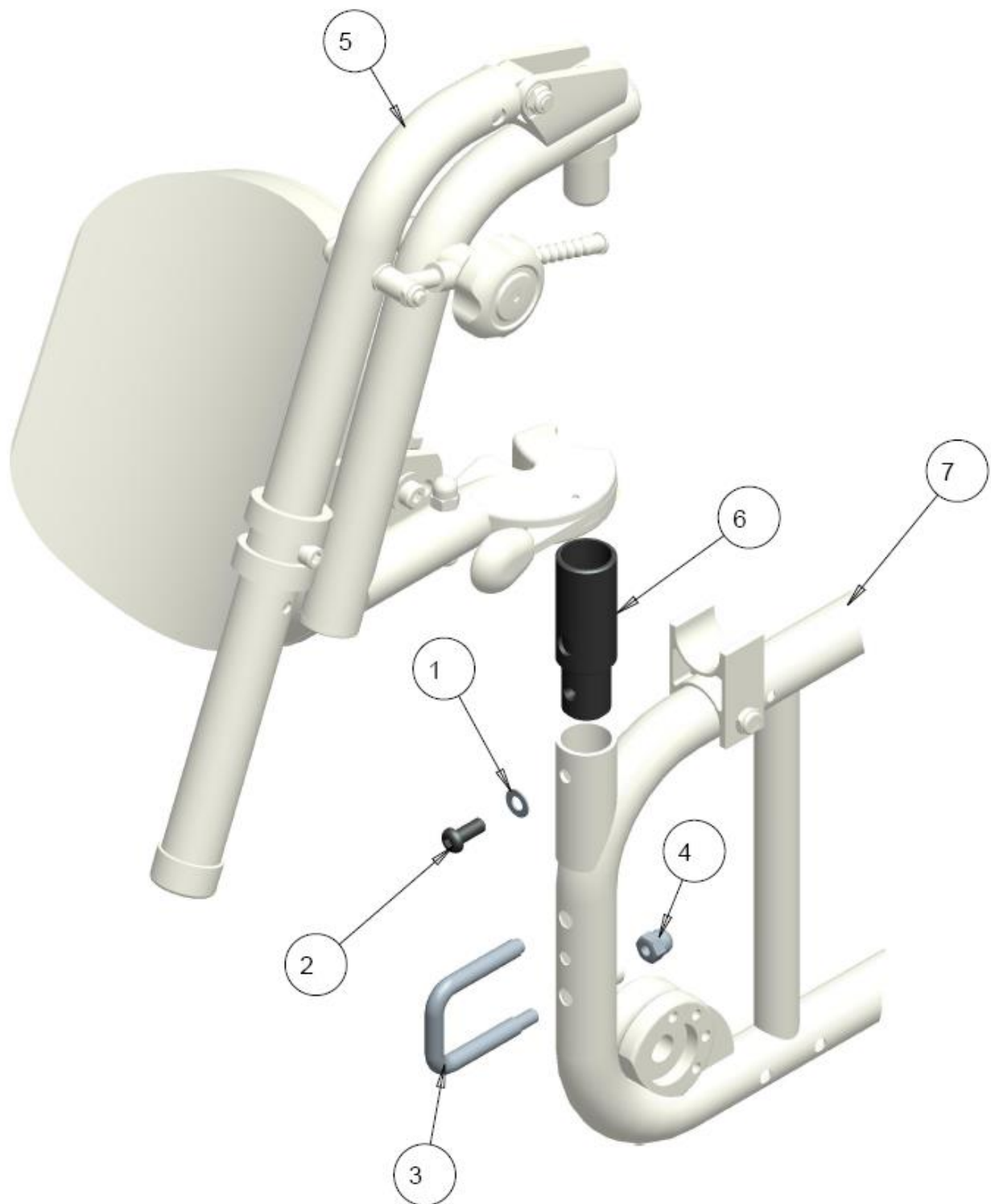
## ELEVATING LEGREST ON STELLATO – TABLE

ITEM	NOTES	QTY	PART NO.	DESCRIPTION	PRICE/ UNIT
1		1	1000027	WASHER FLAT 1/4", ID .257, OD 0.50, THK .032	\$1.50
2		1	1000412	SCREW, SOCKET HEAD BUTTON, 1/4-20NC X 5/8	\$3.00
3		1	1003822	PIVOT HANGER WELDMENT, ELEVATING LEGREST	\$40.50
4		1	REF	ALUMINUM ELEVATING LEGREST ASS'Y GEN	-
5		1	REF	STELLATO SIDE FRAME	-
		1	<b>1004131</b>	<b>KIT PIVOT HANGER WITH HDWR (ITEMS 1-3)</b>	<b>\$45.00</b>

### NOTES:

**A – FOOTPLATE AND STEM NOT INCLUDED**

## SWINGAWAY ELEVATING LEGREST ON GALAXY LITE



## SWINGAWAY ELEVATING LEGREST ON GALAXY LITE – TABLE

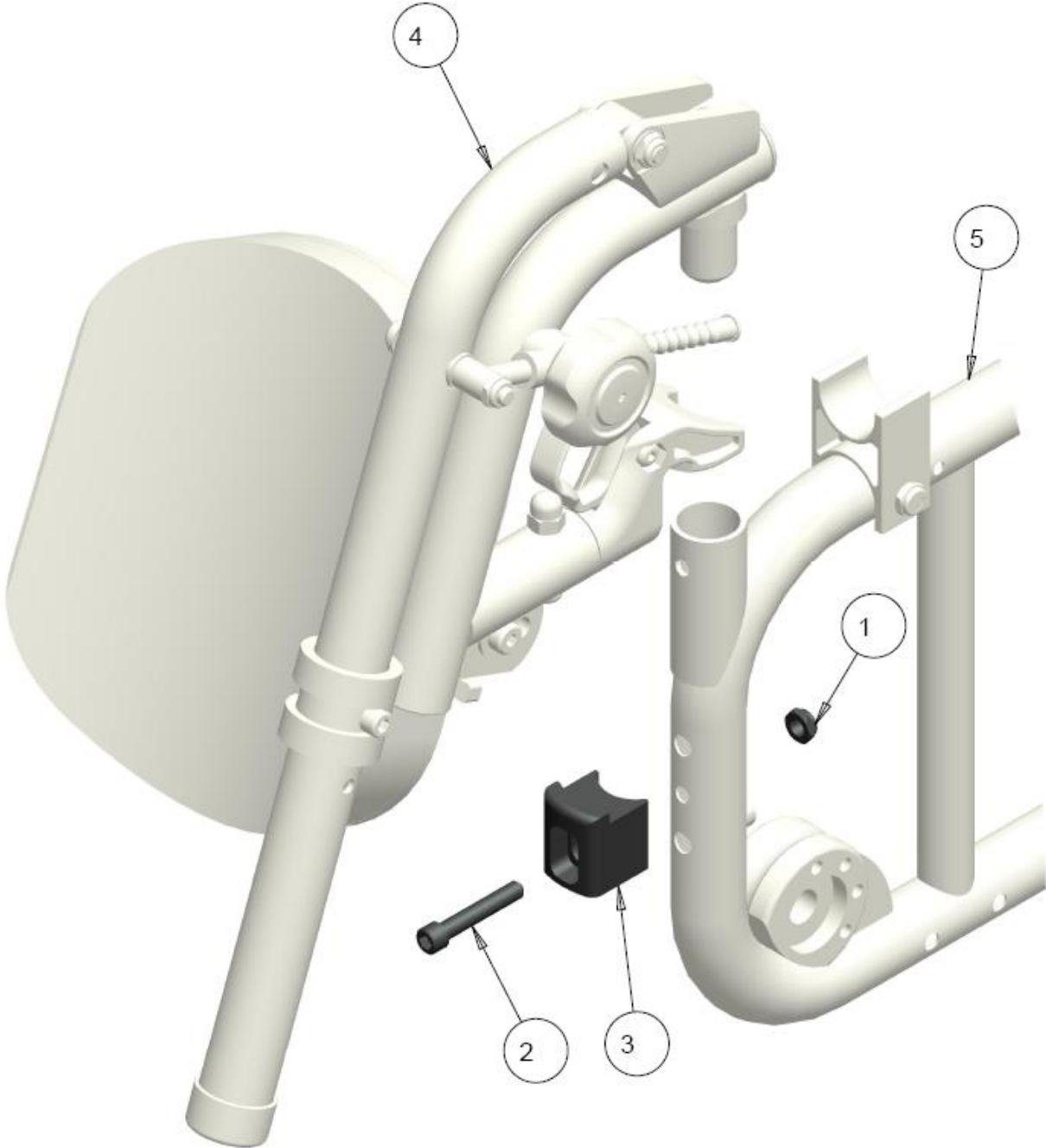
ITEM	QTY	NOTES	PART NO.	DESCRIPTION	PRICE/ UNIT
1	1		1000027	WASHER FLAT 1/4", ID .257, OD 0.50, THK .032	\$2.00
2	1		1000412	SCREW, SOCKET HEAD BUTTON, 1/4-20NC X 5/8	\$3.00
3	1		1000757	LATCH U-BOLT	\$20.00
4	1		1000787	ACORN NUT, 1/4-20 STAINLESS 0.510 HIGH	\$6.00
5	1		REF	ALUMINUM SWINGAWAY ELEVATING LEGREST ASS'Y GEN	-
6	1		1013957	GALAXY PIVOT HANGER WELDMENT	\$35.00
7	1	A	REF	GALAXY SIDEFAME - HARDWARE ASS'Y	-
	1		1025497	KIT, ELEVATING LEGREST SWINGAWAY HW ON GALAXY	\$59.00

### NOTES:

**A - SWINGAWAY ELEVATING LEGREST ON STANDARD FRAME ONLY**



**DUAL SWINGAWAY ELEVATING LEGREST ON GALAXY LITE**

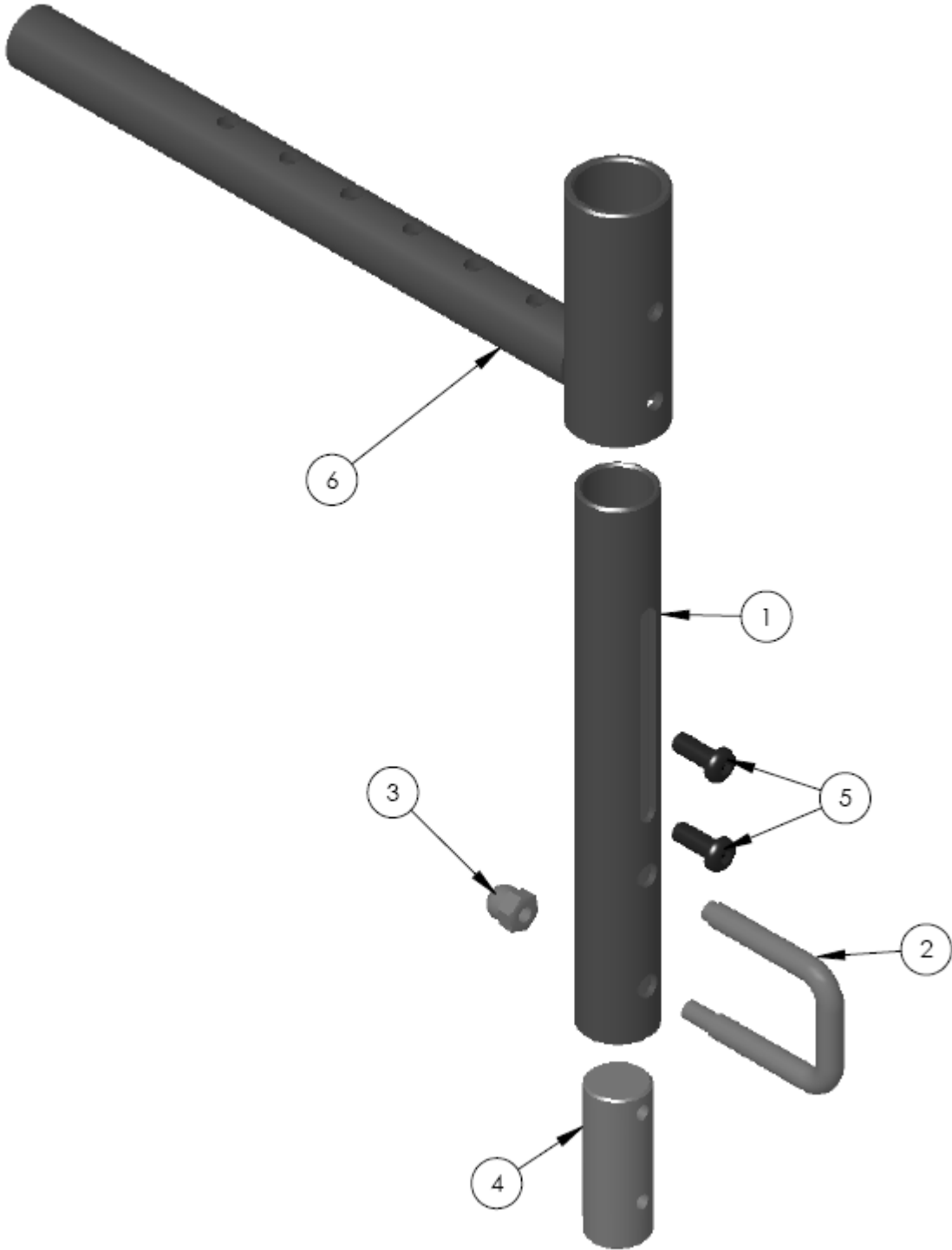


## DUAL SWINGAWAY ELEVATING LEGREST ON GALAXY LITE – TABLE

ITEM	QTY	NOTES	PART NO.	DESCRIPTION	PRICE/ UNIT
1	1		1000397	NUT, HEX-NYLOCK THIN, 1/4-20NC	\$2.00
2	1		1001758	SCREW, SOCKET HEAD CAP, 1/4-20NC X 1 1/2	\$3.00
3	1		1010227	DUAL SWINGAWAY BASE MACHINED	\$35.00
4	1		REF	DUAL ELEVATING LEGREST ASS'Y GEN	-
5	1		REF	GALAXY SIDEFAME - HARDWARE ASS'Y	-
	1		1025498	KIT, DUAL SWINGAWAY ELEVATING LEGREST HW, GALAXY	\$36.00

### NOTES:

**LEGREST HANGER U-BOLT STYLE, ELEVATING**

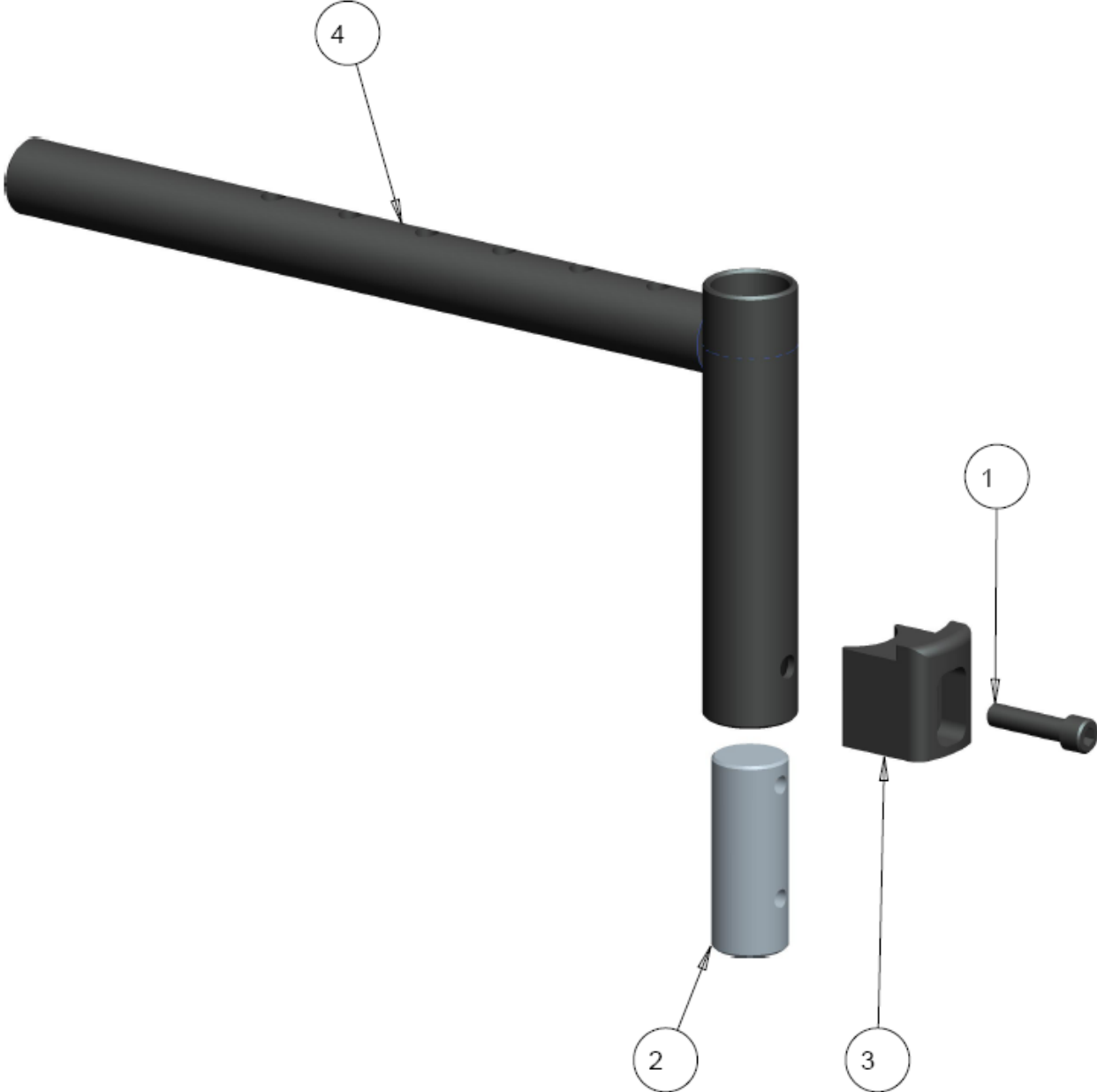


## LEGREST HANGER U-BOLT STYLE, ELEVATING - TABLE

ITEM	QTY	NOTES	PART NO.	DESCRIPTION	PRICE/ UNIT
1	1		1002778	ADJUSTABLE LEGREST, VERTICLE TUBE, SWINGAWAY	\$28.60
2	1		1000757	LATCH U-BOLT	\$15.80
3	1		1000787	NUT, ACORN 1/4-20 STAINLESS	\$2.00
4	1		1002783	ADJUSTABLE LEGREST, INSERT PLUG ROD	\$12.40
5	2		1000412	SCREW, SOC HD BUTTON 1/4-20 X .625, BLACK	\$3.00
6	1		1002782	ELEVATING LEGREST HANGER U-BOLT WELDMENT	\$62.50
	1		1005816	ELEVATING LEGREST HANGER U-BOLT WELDMENT +4"	\$69.00
	1		<b>1022183</b>	<b>KIT, ELEVATING LEGREST HANGER U-BOLT, (ITEMS 1-7)</b>	<b>\$114.00</b>
	1		<b>1022184</b>	<b>KIT, ELEVATING LEGREST HANGER U-BOLT + 4", (ITEMS 1-7)</b>	<b>\$120.00</b>

### NOTES:

**LEGREST HANGER DUAL ELEVATING**

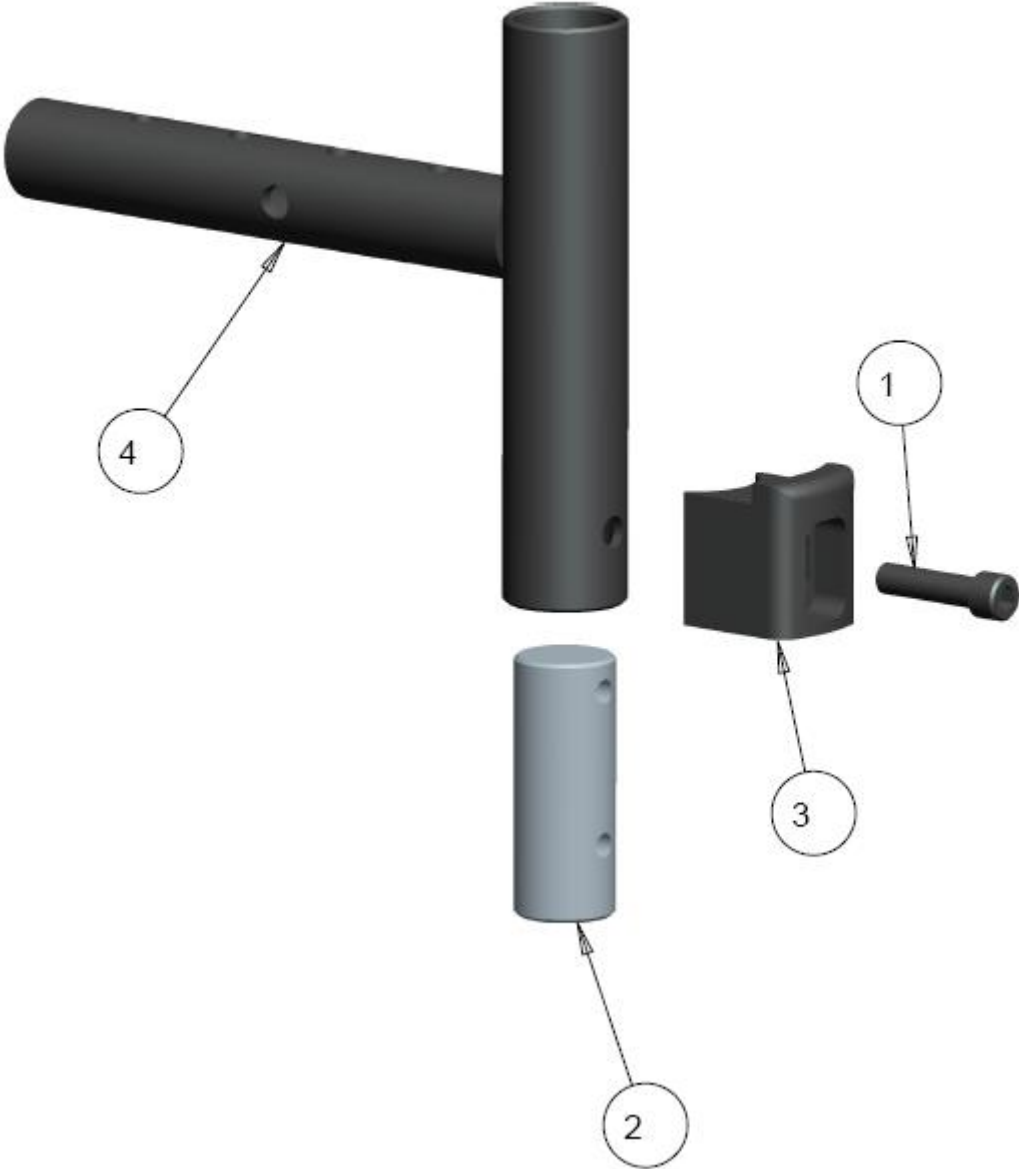


## LEGREST HANGER DUAL ELEVATING - TABLE

ITEM	QTY	NOTES	PART NO.	DESCRIPTION	PRICE/ UNIT
1	1		1001469	SOC HD CAP 1/4-20 X 1.0 BLK	\$3.00
2	1		1002783	INSERT PLUG	\$12.40
3	1		1010227	DUAL SWINGAWAY BASE MACHINED	\$15.50
4	1		1013441	LEG REST HANGER, DUAL STYLE	\$44.00
	1		1013442	LEG REST HANGER, DUAL STYLE + 4"	\$54.00
	1		1022179	KIT, LEGREST HANGER DUAL SWINAWAY, (ITEMS 1-4)	\$67.40
	1		1022180	KIT, LEGREST HANGER DUAL SWINAWAY + 4", (ITEMS 1-4)	\$76.40

### NOTES:

**LEGREST HANGER DUAL ELEVATING (CAPELLA / CAPELLA 45)**



## LEGREST HANGER DUAL ELEVATING (CAPELLA / CAPELLA 45) - TABLE

ITEM	NOTES	QTY	PART NO.	DESCRIPTION	PRICE/ UNIT
1		1	1001469	SOC HD CAP 1/4-20 X 1.0 BLK	\$3.00
2		1	1002783	INSERT PLUG	\$12.40
3		1	1010227	DUAL SWINGAWAY BASE MACHINED	\$15.50
4		1	1014084	DYNAMIC DUAL LEGREST HANGER WELD 15-19"	\$42.50
		1	1017100	DYNAMIC DUAL LEGREST HANGER WELD (20-23)	\$52.00
		1	<b>1022181</b>	<b>KIT, L. HANGER D.SWINGAWAY (CAPELLA) 15-19" (ITEMS 1-4)</b>	<b>\$66.00</b>
		1	<b>1022182</b>	<b>KIT, L. HANGER D.SWINGAWAY (CAPELLA) 20-23" (ITEMS 1-4)</b>	<b>\$74.60</b>

**NOTES: ALSO USED ON ORION III**



