



FUTURE
MOBILITY HEALTHCARE INC.



ORION BACK

BK ORION PB REV 01

PARTS MANUAL

FUTURE MOBILITY HEALTHCARE APPRECIATES YOUR BUSINESS.
OUR CUSTOMER SERVICE REPRESENTATIVES CAN BE CONTACTED AT:

**TO PLACE ORDERS:
(905) 671-1661**

FOR YOUR CONVENIENCE YOU MAY ALSO PLACE ORDERS BY FAX AT:

FAX: (905) 671-3377

PLEASE VISIT OUR WEBSITE AT:

www.futuremobility.ca

*Part prices and configurations included in this Parts Manual are subject to change without prior notice.

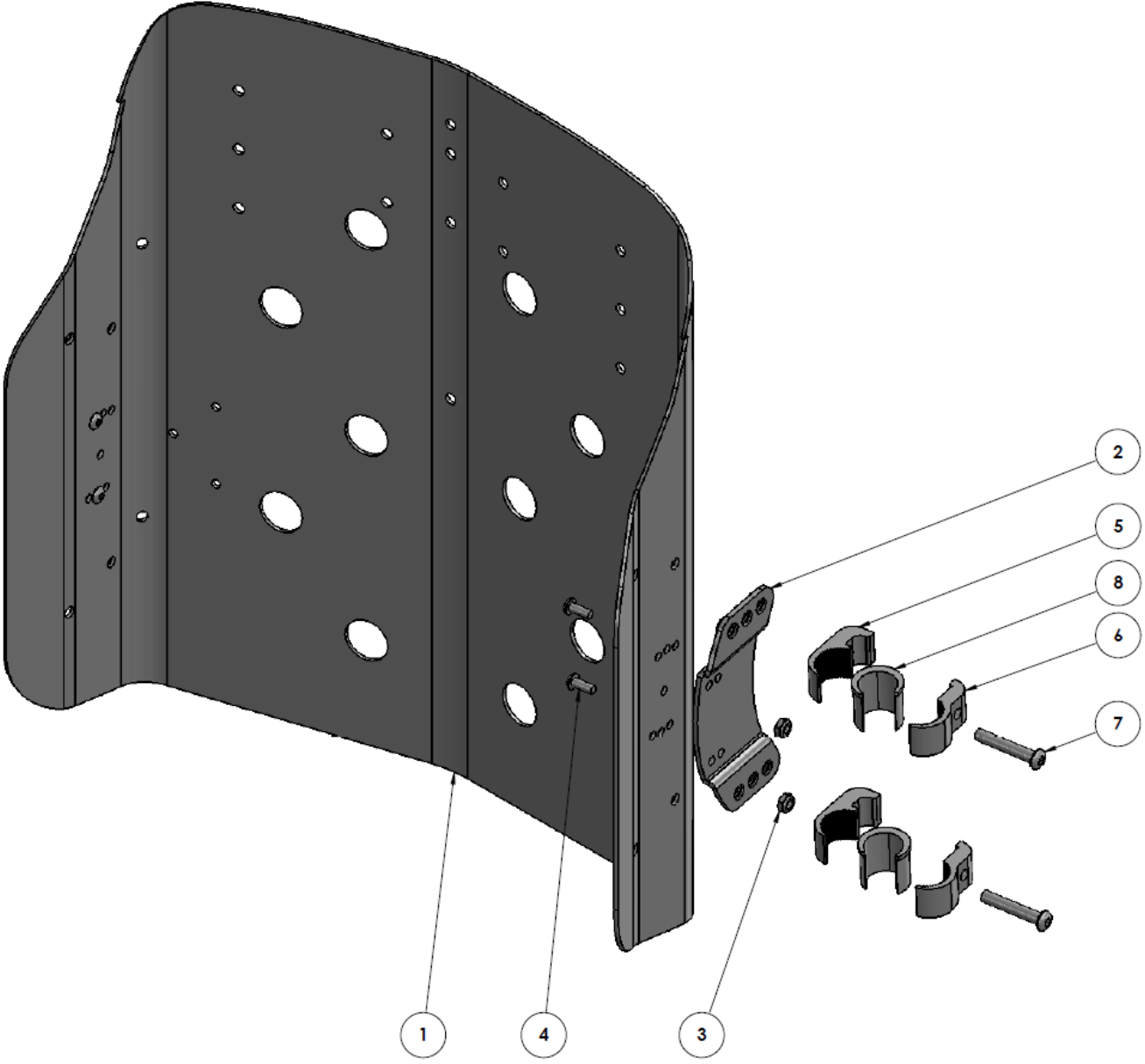
* All prices are shown as per individual unit price.

Contents

ORION BACK.....	4
ORION BACK HARDWARE	4

ORION BACK

ORION BACK HARDWARE



ORION BACK HARDWARE TABLE

ITEM	QTY	NOTES	PART NO.	DESCRIPTION	PRICE/ UNIT
1	1		1000885	BASIC BACK SHELL 18" HIGH - GENERAL REFERENCE	\$0.00
2	2		1001410	ORION SHELL BRACKET	\$80.00
3	4		1000410	LOCKNUT THIN, 10-32 BLACK	\$2.00
4	4		1001212	SCREW, SOC HD BUTTON #10-32 X .50, BLACK	\$3.00
5	4		1002375	INNER CLAMP - MACHINED	\$15.00
6	4		1002376	OUTER CLAMP - MACHINED	\$15.00
7	4		1000493	SCREW, SOC HD BUTTON 1/4-20 X 1.50 BLACK	\$3.00
8	4		1002377	CLAMP INSERT 1" STEP DOWN 7/8"	\$2.50
	1		1028981	KIT, BACK MOUNTING HARDWARE (ITEMS 2-7)	\$150.00

NOTES: