



**FUTURE**

---

MOBILITY HEALTHCARE INC.

**HEADREST**

**PARTS MANUAL**

FUTURE MOBILITY HEALTHCARE APPRECIATES YOUR BUSINESS.  
OUR CUSTOMER SERVICE REPRESENTATIVES CAN BE CONTACTED AT:

**TO PLACE ORDERS:  
(905) 671-1661**

FOR YOUR CONVENIENCE YOU MAY ALSO PLACE ORDERS BY FAX AT:

**FAX: (905) 671-3377**

PLEASE VISIT OUR WEBSITE AT:

**[www.futuremobility.ca](http://www.futuremobility.ca)**

\*Part prices and configurations included in this Parts Manual are subject to change without prior notice.

\* All prices are shown as per unit individual price.

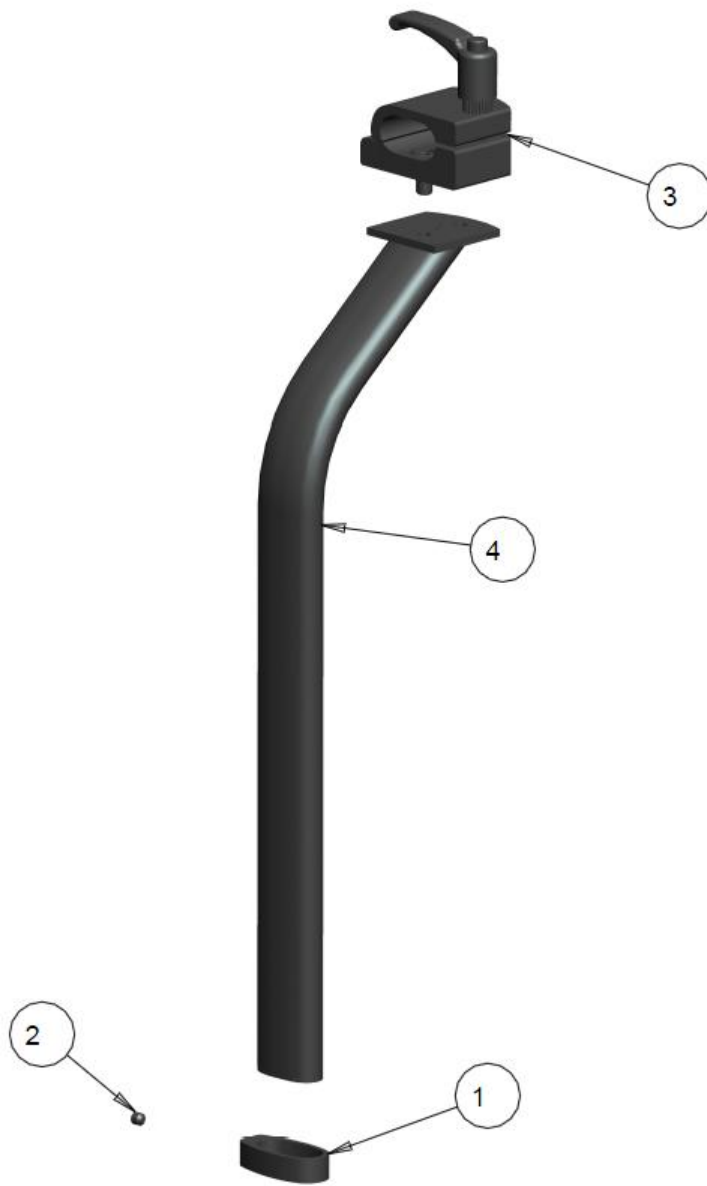
## Contents

<b>HEADREST VERTICLE TUBES .....</b>	<b>5</b>
HEADREST FIXED VERTICLE TUBE .....	5
HEADREST MULTI-AXIAL VERTICLE TUBE .....	7
HEADREST INFINITE VERTICLE TUBE .....	9
<b>HEADREST HORIZONTAL TUBES .....</b>	<b>11</b>
HEADREST FIXED HORIZONTAL TUBE .....	11
HEADREST ARTICULATED HORIZONTAL TUBE .....	11
HEADREST INFINITE HORIZONTAL TUBE .....	11
<b>LINKS HEADREST .....</b>	<b>13</b>
LINKS HEADREST STRAIGHT VERTICLE TUBE .....	13
LINKS HEADREST CURVED VERTICLE TUBE .....	15
LINKS HEADREST BALL JOINT .....	17
LINKS HEADREST SINGLE LINK .....	17
<b>HEADREST BASE ADAPTOR BRACKET .....</b>	<b>19</b>
2-HOLE HEADREST BASE ADAPTOR BRACKET .....	19
UNIVERSAL HEADREST BASE ADAPTOR BRACKET .....	21



## HEADREST VERTICLE TUBES

### HEADREST FIXED VERTICLE TUBE

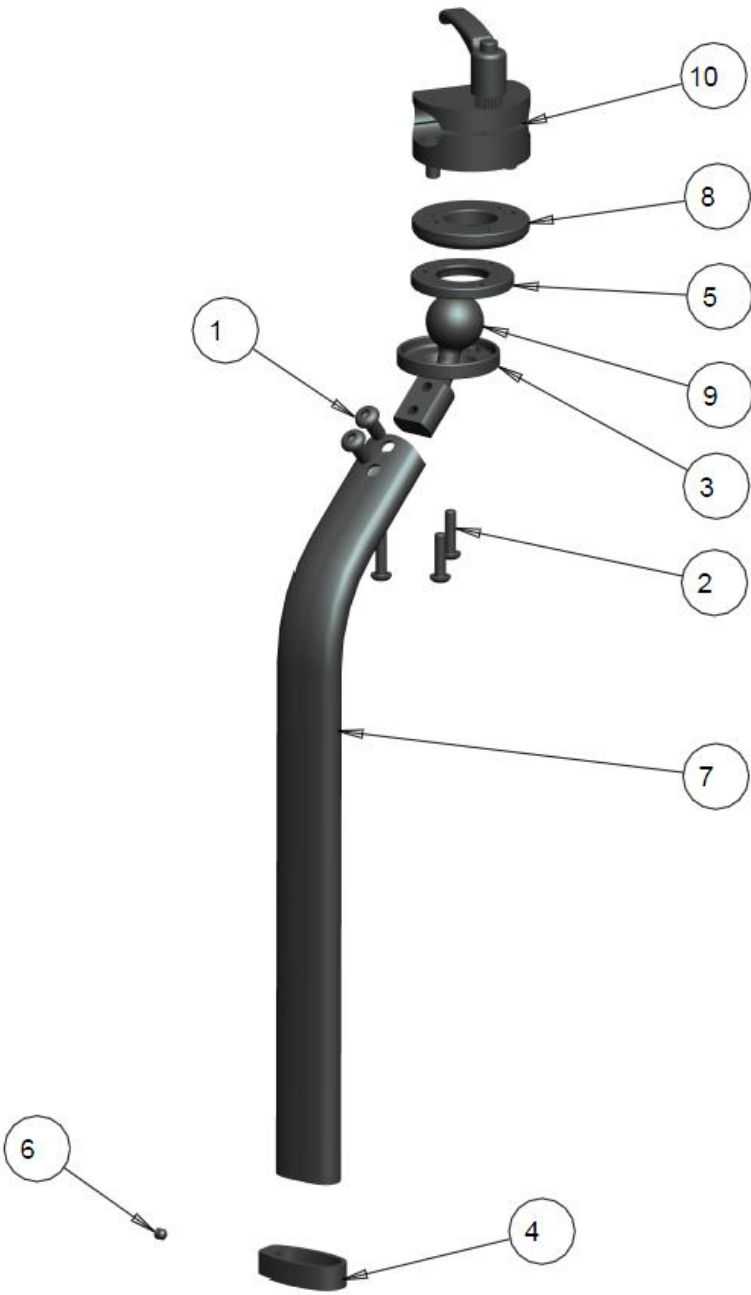


## HEADREST FIXED VERTICLE TUBE TABLE

ITEM	QTY	NOTES	PART NO.	DESCRIPTION	PRICE/ PER UNIT
1	1		1001199	HEADREST LOCKING COLLAR	\$17.50
2	1		1001214	SCREW, SET, SOC HD CUP POINT #10-32 X 3/16	\$3.00
3	1		1019596	CURVED HINGED OVAL HEADREST CLAMP	\$48.00
4	1		1001393	HEADREST CURVED POST WELDMENT	\$52.50
	1		1003928	HEADREST CURVED POST WELDMENT + 4"	\$72.00
	1		1018183	HEADREST STRAIGHT POST WELDMENT	\$47.00
	1		<b>1021424</b>	<b>KIT, CURVED POST STANDARD (ITEMS 1-4)</b>	<b>\$110.00</b>
	1		<b>1021425</b>	<b>KIT, CURVED POST PLUS 4" (ITEMS 1-4)</b>	<b>\$135.00</b>
	1		<b>1021426</b>	<b>KIT, STRAIGHT POST STANDARD (ITEMS 1-4)</b>	<b>\$105.00</b>
		B22265- 22275			

### NOTES:

# HEADREST MULTI-AXIAL VERTICLE TUBE



## HEADREST MULTI-AXIAL VERTICLE TUBE TABLE

ITEM	QTY	NOTES	PART NO.	DESCRIPTION	PRICE/ PER UNIT
1	2		1000411	SCREW,SOC BUTTON HEAD 1/4-20 X 0.500	\$3.00
2	3		1000937	SCREW, SOCKET HEAD BUTTON, #10-32NF X 3/4	\$3.00
3	1		1001198	FACE PLATE, BALL SOCKET CLAMP	\$20.10
4	1		1001199	HEADREST LOCKING COLLAR	\$17.50
5	1		1001200	SPACER PLATE, BALL SOCKET CLAMP	\$26.32
6	1		1001214	SCREW, SET, SOC HD CUP POINT #10-32 X 3/16	\$3.00
7	1		1007004	MULTIAXIAL HEADREST CURVED VERT POST WELDMENT	\$55.00
	1		1007005	MULTIAXIAL HEADREST CURVED VERT POST WELDMENT +4"	\$72.00
	1		1020201	MULTIAXIAL HEADREST STRAIGHT VERT POST WELDMENT	\$47.00
8	1		1005793	MOUNT PLATE, BALL SOCKET CLAMP	\$30.00
9	1		1007001	BALL-JOINT, 1" DIA CURVED	\$35.00
10	1		1020987	CIRCULAR HINGED HEADREST CLAMP	\$58.00
	1		1007007	KIT, MULTI CURVED POST STANDARD (ITEMS 1-10)	\$180.00
	1		1007008	KIT, MULTI CURVED POST +4" (ITEMS 1-10)	\$200.00
	1		1021427	KIT, MULTI STRAIGHT POST STANDARD (ITEMS 1-10)	\$175.00
		B22300-22316			

**NOTES:**



**HEADREST INFINITE VERTICLE TUBE**



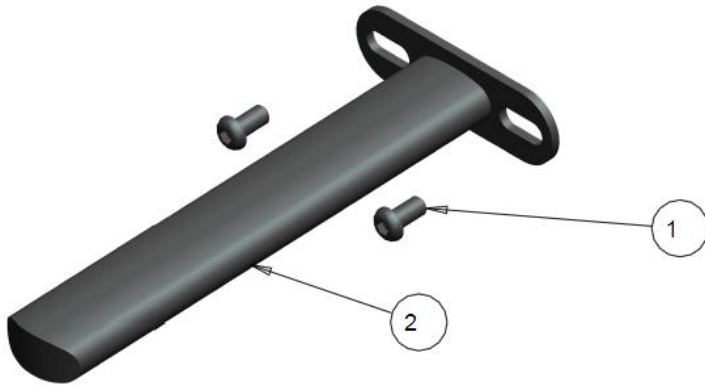
## HEADREST INFINITE VERTICLE TUBE TABLE

ITEM	QTY	NOTES	PART NO.	DESCRIPTION	PRICE/ PER UNIT
1	2		1000411	SCREW,SOC BUTTON HEAD 1/4-20 X 0.500	\$3.00
2	1		1001199	HEADREST LOCKING COLLAR	\$17.50
3	1		1001214	SCREW, SET, SOC HD CUP POINT #10-32 X 3/16	\$3.00
4	1		1005791	MULTIAXIAL HEADREST CURVED VERT POST WELDMENT	\$52.00
	1		1007005	MULTIAXIAL HEADREST CURVED VERT POST + 41 WELDMENT	\$72.00
	1		1020201	MULTIAXIAL HEADREST STRAIGHT VERT POST WELDMENT	\$47.00
5	1		1007001	BALL-JOINT, 1" DIA CURVED	\$35.00
6	1		1015360	1/4-20 RATCHET HANDLE	\$17.00
7	1		1016938	SINGLE HANDLE MAIN HOUSING RT	\$57.00
8	1		1016939	SINGLE HANDLE MAIN HOUSING LT	\$57.00
	1		<b>1016937</b>	<b>KIT, INFINITE CURVED POST STANDARD (ITEMS 1-8)</b>	<b>\$215.00</b>
	1		<b>1021428</b>	<b>KIT, INFINITE CURVED POST + 4" (ITEMS 1-8)</b>	<b>\$235.00</b>
	1		<b>1020999</b>	<b>KIT, INFINITE STRAIGHT POST (ITEMS 1-8)</b>	<b>\$210.00</b>
		B22335- 22349			

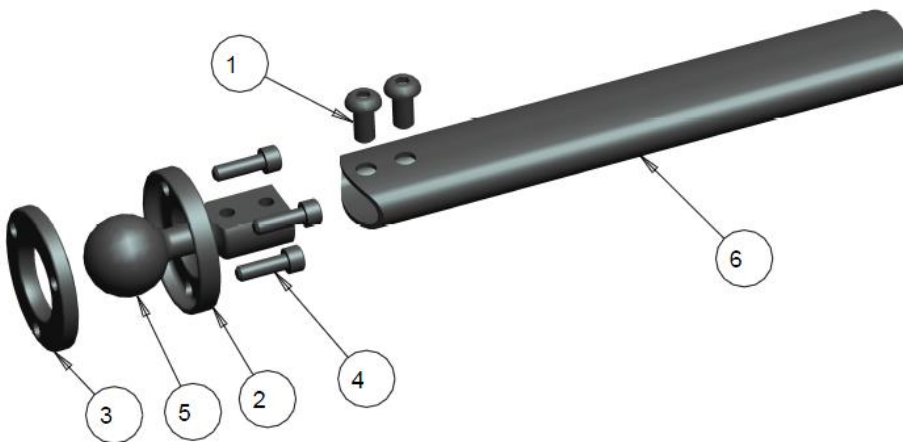
**NOTES:**

## HEADREST HORIZONTAL TUBES

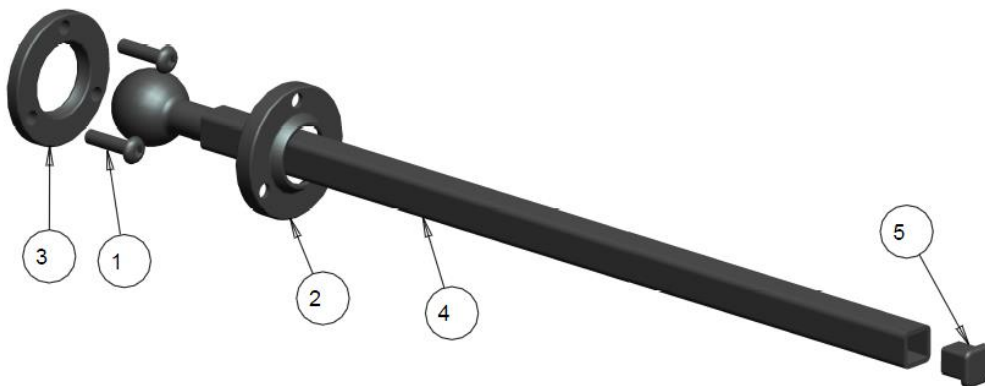
### HEADREST FIXED HORIZONTAL TUBE



### HEADREST ARTICULATED HORIZONTAL TUBE



### HEADREST INFINITE HORIZONTAL TUBE



## HEADREST FIXED HORIZONTAL TUBE TABLE

ITEM	QTY	NOTES	PART NO.	DESCRIPTION	PRICE/ PER UNIT
1	2		1000411	SCREW,SOC BUTTON HEAD 1/4-20 X 0.500	\$3.00
2	1		1000790	HORIZONTAL FIXED HEADREST WELDMENT	\$49.00
	1		1003047	HORIZONTAL FIXED HEADREST WELDMENT +41	\$59.00
	1		1001208	KIT, HORIZONTAL FIXED HEADREST (ITEMS 1-2)	\$52.00
	1		1004365	KIT, HORIZONTAL FIXED HEADREST +4" (ITEMS 1-2)	\$62.00
		B22370-22376			

NOTES:

## HEADREST ARTICULATED HORIZONTAL TUBE TABLE

ITEM	QTY	NOTES	PART NO.	DESCRIPTION	PRICE/ PER UNIT
1	2		1000411	SCREW,SOC BUTTON HEAD 1/4-20 X 0.500	\$3.00
2	1		1001198	FACE PLATE, BALL SOCKET CLAMP	\$20.10
3	1		1001200	SPACER PLATE, BALL SOCKET CLAMP	\$26.32
4	3		1001203	SCREW, SOCKET HEAD CAP, 10-32NF X 5/8	\$3.25
5	1		1002533	BALL-JOINT, 1" DIA	\$28.00
6	1		1001210	HEADREST HORIZONTAL ARTICULATED WELDMENT	\$55.00
	1		1003980	HEADREST HORIZONTAL ARTICULATED +41 WELDMENT	\$55.00
	1		1003427	KIT, HORIZONTAL ARTICULATED HEADREST (ITEMS 1-6)	\$90.00
	1		1003996	KIT, HORIZONTAL ARTICULATED HEADREST +4" (ITEMS 1-6)	\$100.00
		B22405-22415			

NOTES:

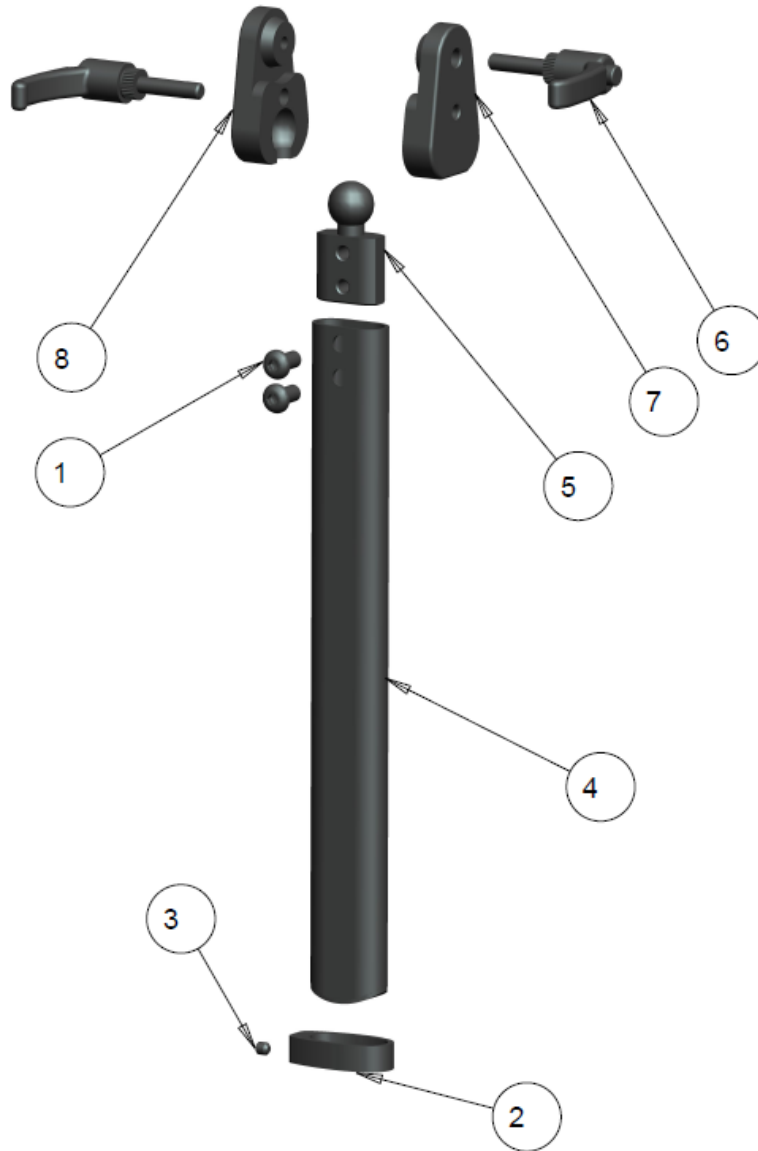
## HEADREST INFINITE HORIZONTAL TUBE TABLE

ITEM	QTY	NOTES	PART NO.	DESCRIPTION	PRICE/ PER UNIT
1	3		1000937	SCREW, SOCKET HEAD BUTTON, #10-32NF X 3/4	\$3.00
2	1		1001198	FACE PLATE, BALL SOCKET CLAMP	\$20.10
3	1		1001200	SPACER PLATE, BALL SOCKET CLAMP	\$26.32
4	1		1021420	HORIZONTAL SQ TUBE WELDMENT	\$63.00
	1		1016941	HORIZONTAL SQ TUBE WELDMENT (+41)	\$68.00
5	1		1016945	SQUARE ENDPLUG 0.5 X 0.5	\$2.50
	1	A	1021429	KIT, HORIZONTAL INFINITE HEADREST (ITEMS 1-5)	\$89.00
	1	A	1016943	KIT, HORIZONTAL INFINITE HEADREST +4" (ITEMS 1-5)	\$94.00
		B22440-22449			

NOTES: A ONLY TO BE USED WITH INFINITE VERTICLE TUBE HARDWARE

## LINKS HEADREST

### LINKS HEADREST STRAIGHT VERTICLE TUBE



## LINKS HEADREST STRAIGHT VERTICLE TUBE TABLE

ITEM	QTY	NOTES	PART NO.	DESCRIPTION	PRICE/ PER UNIT
1	2		1000411	SCREW,SOC BUTTON HEAD 1/4-20 X 0.500	\$3.00
2	1		1001199	HEADREST LOCKING COLLAR	\$17.50
3	1		1001214	SCREW, SET, SOC HD CUP POINT #10-32 X 3/16	\$3.00
4	1		1014048	VERTICLE OVAL TUBE LINKS WELD	\$44.00
5	1		1014268	BALL-JOINT, .687 DIA	\$32.00
6	2		1015360	1/4-20 RATCHET HANDLE	\$17.00
7	1		1015362	BALL JOINT HANDLE MAIN HOUSING RT	\$58.00
8	1		1015363	BALL JOINT HANDLE MAIN HOUSING LT	\$58.00
	1		<b>1015361</b>	<b>KIT, LINKS STRAIGHT POST (ITEMS 1-8)</b>	<b>\$196.00</b>
		B22475- 22485			

### NOTES:

# LINKS HEADREST CURVED VERTICLE TUBE



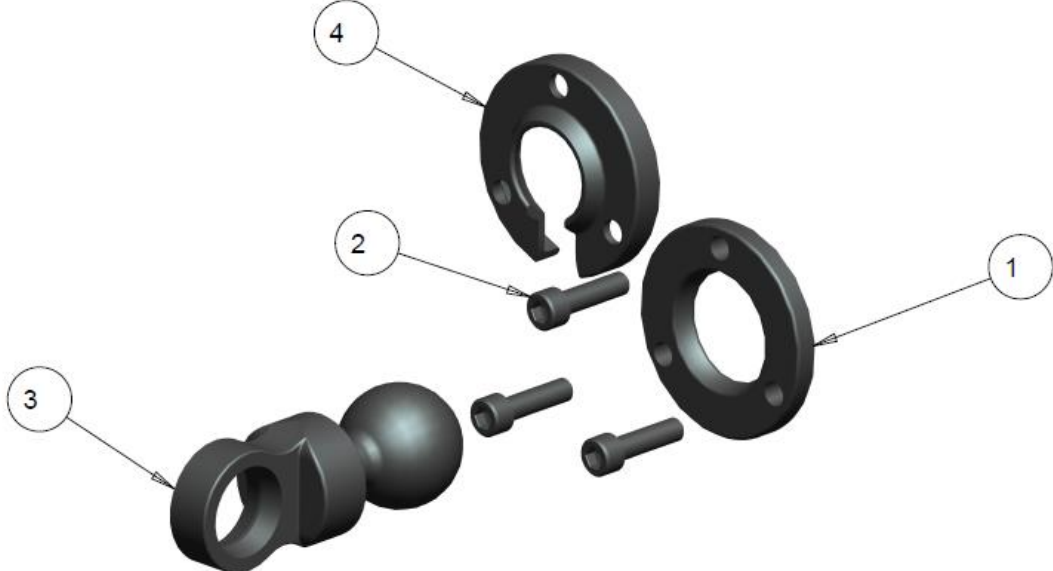
## LINKS HEADREST CURVED VERTICLE TUBE TABLE

ITEM	QTY	NOTES	PART NO.	DESCRIPTION	PRICE/ PER UNIT
1	1		1001199	HEADREST LOCKING COLLAR	\$17.50
2	1		1001214	SCREW, SET, SOC HD CUP POINT #10-32 X 3/16	\$3.00
3	2		1001381	SOC HD SCREW 1/4-20 X 1.00	\$3.00
4	2		1015360	1/4-20 RATCHET HANDLE	\$17.00
5	1		1015362	BALL JOINT HANDLE MAIN HOUSING RT	\$58.00
6	1		1015363	BALL JOINT HANDLE MAIN HOUSING LT	\$58.00
7	1		1015445	CURVED VERTICLE OVAL TUBE LINKS	\$63.00
8	1		1015448	BALL-JOINT, .687 DIA (NOT THREADED)	\$32.00
	1		<b>1015444</b>	<b>KIT, LINKS CURVED POST (ITEMS 1-8)</b>	<b>\$206.00</b>
		B22510-22520			

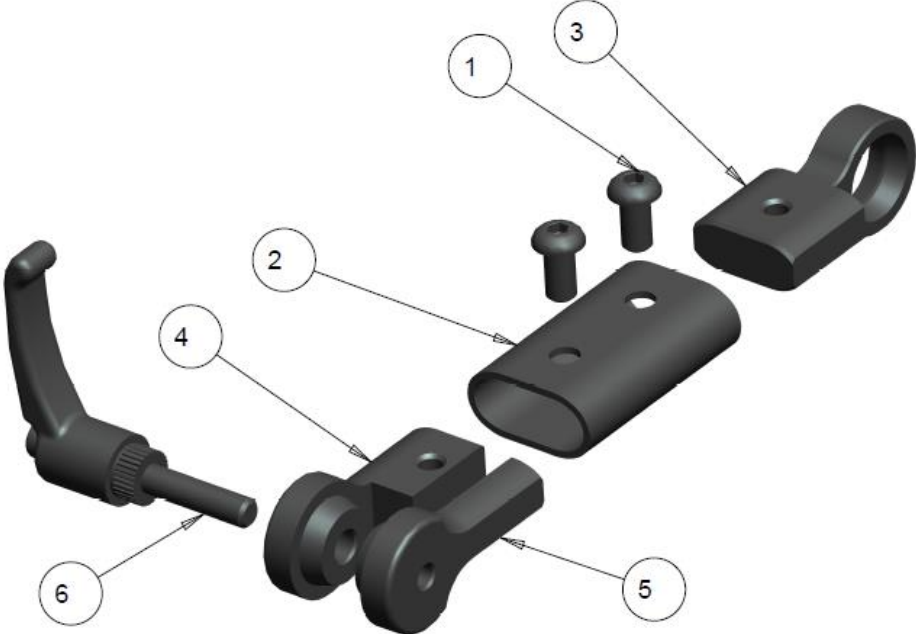
**NOTES:**



**LINKS HEADREST BALL JOINT**



**LINKS HEADREST SINGLE LINK**



## LINKS HEADREST BALL JOINT TABLE

ITEM	QTY	NOTES	PART NO.	DESCRIPTION	PRICE/ PER UNIT
1	1		1001200	SPACER PLATE, BALL SOCKET CLAMP	\$26.32
2	3		1006241	SCREW, SOCKET HEAD CAP,10-32NFX 3/4	\$3.00
3	1		1014042	COBRA BALL JOINT MACHINED	\$25.00
4	1		1014045	SLOTTED INSIDE PLATE- BALL JOINT	\$14.00
	1		<b>1014044</b>	<b>KIT, LINKS BALL JOINT (ITEMS 1-4)</b>	<b>\$44.00</b>
		B22545-22551			

NOTES:

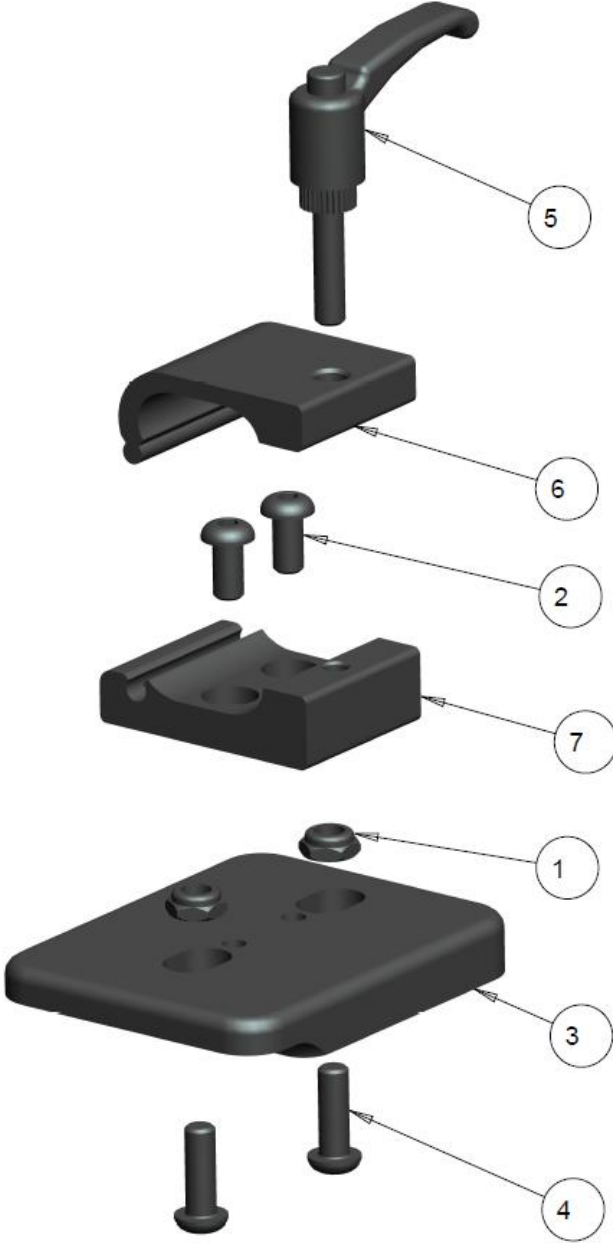
## LINKS HEADREST SINGLE LINK TABLE

ITEM	QTY	NOTES	PART NO.	DESCRIPTION	PRICE/ PER UNIT
1	2		1000411	SCREW,SOC BUTTON HEAD 1/4-20 X 0.500	\$3.00
2	1		1014032	MAIN OVAL TUBE HOUSING	\$16.00
3	1		1014033	RING STRAIGHT LINK MACHINED	\$18.00
4	1		1014034	CONE STRAIGHT LINK MAIN	\$14.00
5	1		1014035	CONE STRAIGHT LINK INSERT	\$10.00
6	1		1015360	1/4-20 RATCHET HANDLE	\$17.00
	1		<b>1014031</b>	<b>KIT, ADDITIONAL LINK SINGLE (ITEMS 1-6)</b>	<b>\$50.00</b>
		B22580-22588			

NOTES:

# HEADREST BASE ADAPTOR BRACKET

## 2-HOLE HEADREST BASE ADAPTOR BRACKET

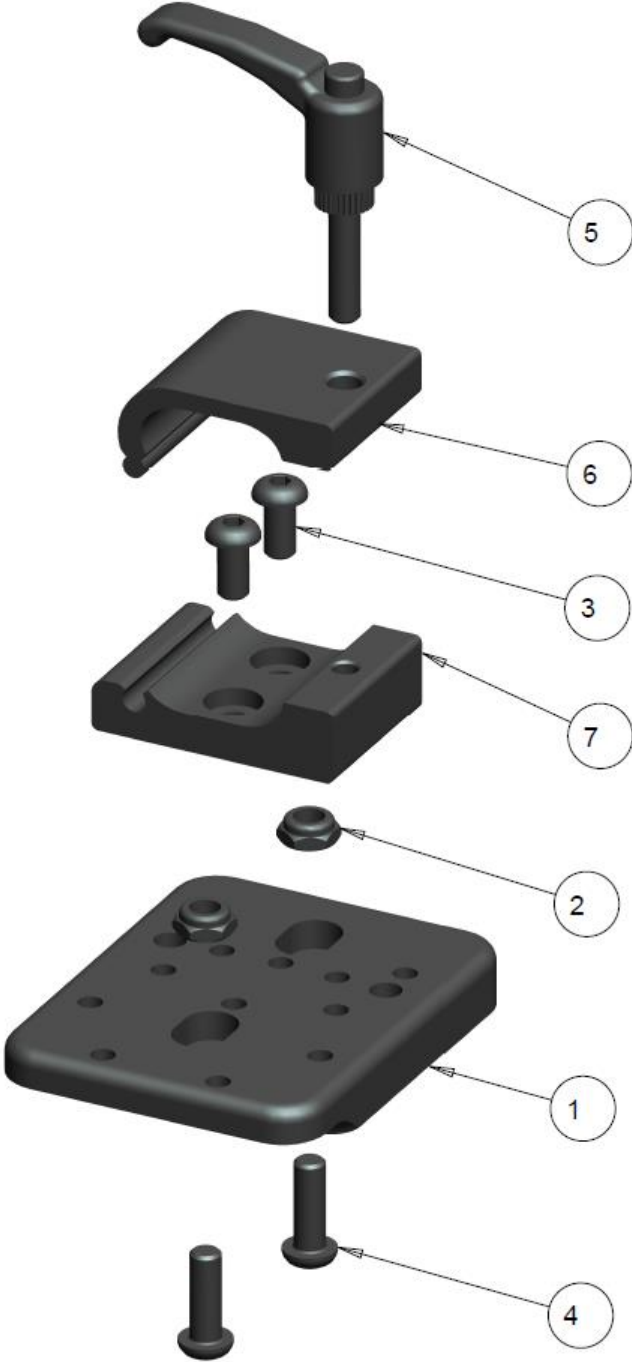


## 2-HOLE HEADREST BASE ADAPTOR BRACKET TABLE

ITEM	QTY	NOTES	PART NO.	DESCRIPTION	PRICE/ PER UNIT
1	2		1000397	NUT, HEX-NYLOCK THIN, 1/4-20NC	\$2.00
2	2		1000411	SCREW,SOC BUTTON HEAD 1/4-20 X 0.500	\$3.00
3	1		1001367	2-HOLE MOUNTING PLATE	\$50.00
4	2		1001391	SCREW, SOCKET HEAD BUTTON, 1/4-20NC X 3/4	\$3.00
5	1		1015360	1/4-20 RATCHET HANDLE	\$17.00
6	1		1019474	OVAL UPPER CLAMP	\$16.00
7	1		1019475	OVAL TUBE LOWER CLAMP	\$20.00
	1		<b>1001209</b>	<b>KIT, 2-HOLE HEADREST ADAPTOR BRACKET (ITEMS 1-7)</b>	<b>\$105.00</b>
		B22615-22624			

### NOTES:

# UNIVERSAL HEADREST BASE ADAPTOR BRACKET



## UNIVERSAL HEADREST BASE ADAPTOR BRACKET TABLE

ITEM	QTY	NOTES	PART NO.	DESCRIPTION	PRICE/ PER UNIT
1	1		1000218	UNIVERSAL MOUNTING PLATE, HEADREST	\$61.00
2	2		1000397	NUT, HEX-NYLOCK THIN, 1/4-20NC	\$2.00
3	2		1000411	SCREW,SOC BUTTON HEAD 1/4-20 X 0.500	\$3.00
4	2		1001391	SCREW, SOCKET HEAD BUTTON, 1/4-20NC X 3/4	\$3.00
5	1		1015360	1/4-20 RATCHET HANDLE	\$17.00
6	1		1019474	OVAL UPPER CLAMP	\$16.00
7	1		1019475	OVAL TUBE LOWER CLAMP	\$20.00
	1		<b>1003995</b>	<b>KIT, UNIVERSAL HEADREST ADAPTOR BRACKET (ITEMS 1-7)</b>	<b>\$120.00</b>
		B22650-22659			

**NOTES:**