



FUTURE

MOBILITY HEALTHCARE INC.

LAPTRAYS

PARTS MANUAL

FUTURE MOBILITY HEALTHCARE APPRECIATES YOUR BUSINESS.
OUR CUSTOMER SERVICE REPRESENTATIVES CAN BE CONTACTED AT:

**TO PLACE ORDERS:
(905) 671-1661**

FOR YOUR CONVENIENCE YOU MAY ALSO PLACE ORDERS BY FAX AT:

FAX: (905) 671-3377

PLEASE VISIT OUR WEBSITE AT:

www.futuremobility.ca

*Part prices and configurations included in this Parts Manual are subject to change without prior notice.

* All prices are shown as per unit individual price.

Contents

PADDED LAPTRAYS 5

 HALF LAPTRAY CURVED ARMPAD 5

 HALF LAPTRAY VINYL ARMPAD 7

 HALF LAPTRAY INSIDE GUARD 9

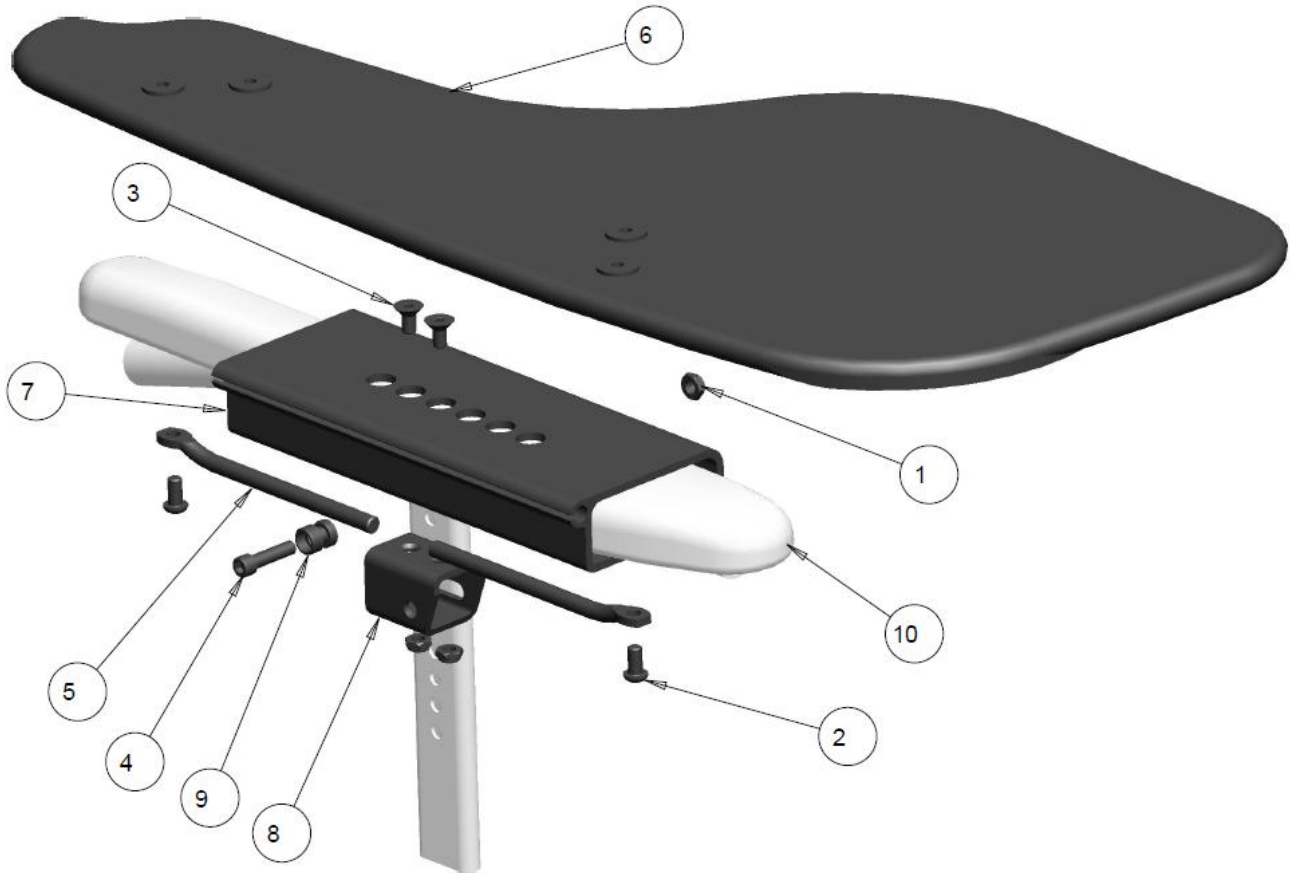
 FULL PADDED LAPTRAY..... 11

CLEAR LAPTRAYS..... 13

 FULL CLEAR LAPTRAY 13

PADDED LAPTRAYS

HALF LAPTRAY CURVED ARMPAD

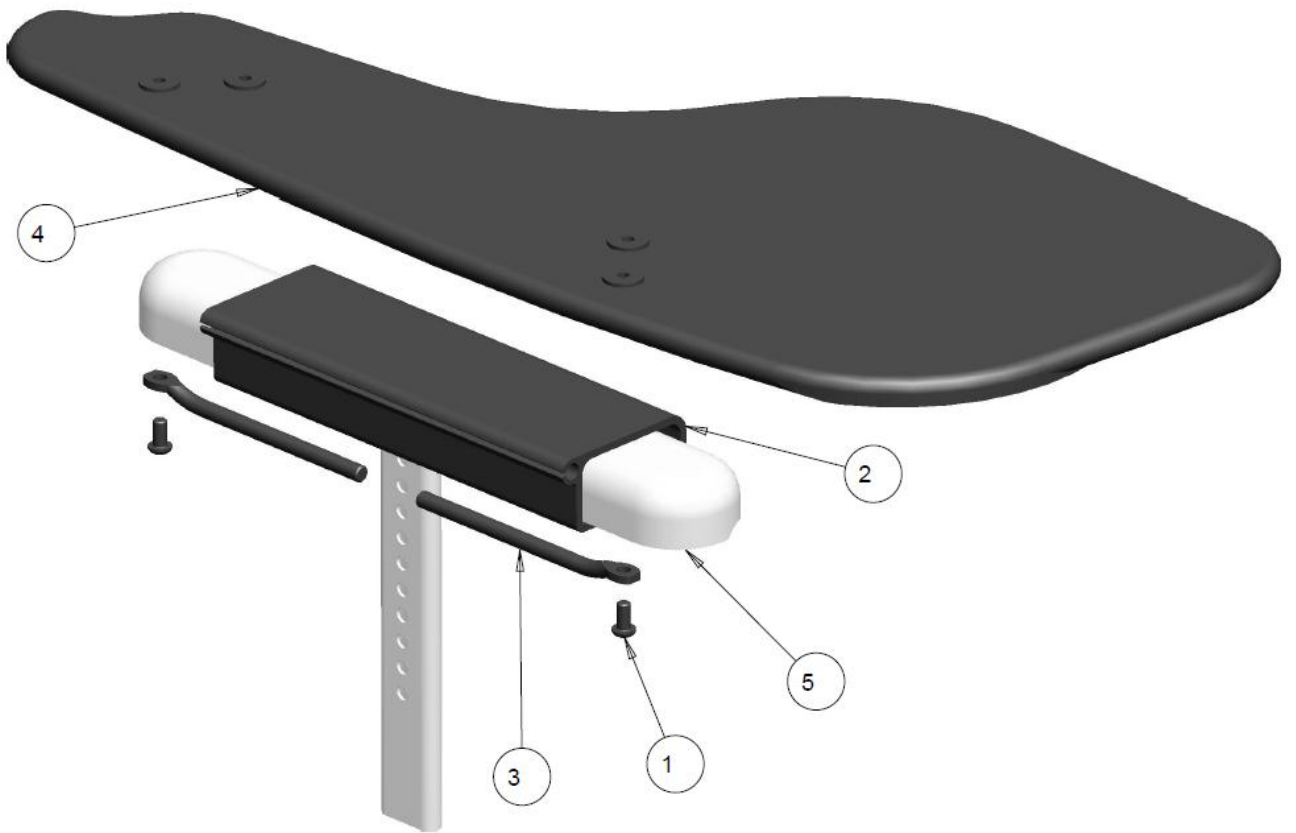


HALF LAPTRAY CURVED ARMPAD TABLE

ITEM	QTY	NOTES	PART NO.	DESCRIPTION	PRICE/ UNIT
1	3		1000397	NUT, HEX-NYLOCK THIN, 1/4-20NC	\$2.00
2	2		1000411	SCREW,SOC BUTTON HEAD 1/4-20 X 0.500	\$3.00
3	2		1001297	SCREW, FLAT HEAD SOCKET #1/4-20 X 0.5	\$3.00
4	1		1001469	SOC HD CAP 1/4-20 X 1.0 BLK	\$3.00
5	2		1007928	PIVOT ROD, HALF LAPTRAY	\$16.00
6	1		1007933	HALF LAPTRAY WITH FOAM AND COVER RT	\$90.00
	1		1007934	HALF LAPTRAY WITH FOAM AND COVER LT	\$90.00
7	1	A	1007944	BRACKET CURVED ARMPAD, HALF LAPTRAY	\$40.00
8	1		1008631	GUIDE BRACKET HALF LAPTRAY RT	\$25.00
	1		1019534	GUIDE BRACKET HALF LAPTRAY LT	\$25.00
9	1		1008851	BRACKET GUIDE PIN	\$12.00
10	1		REF	GEL T-ARM TOP ASSY	
	1		1029706	KIT HALF LAPTRAY WITH MOUNTING BRACKET RT	\$150.00
	1		1029707	KIT HALF LAPTRAY WITH MOUNTING BRACKET LT	\$150.00

NOTES: **A- SLIDE ON BRACKET WILL ONLY FIT GEL CURVED ARMPAD**

HALF LAPTRAY VINYL ARMPAD

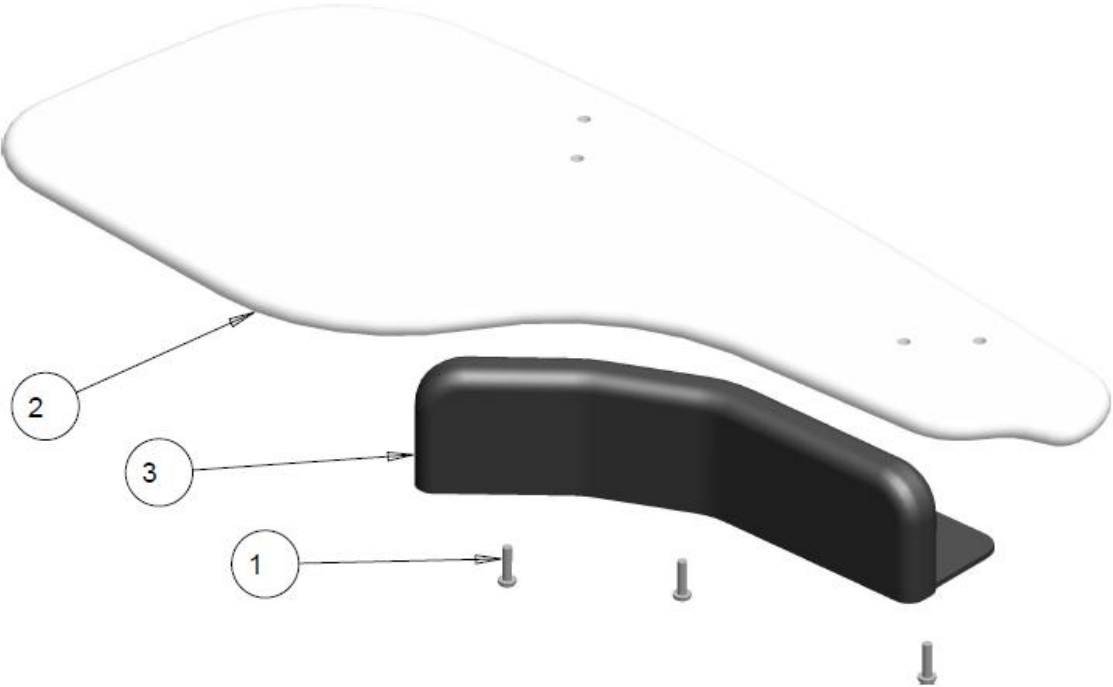


HALF LAPTRAY VINYL ARMPAD – TABLE

ITEM	QTY	NOTES	PART NO.	DESCRIPTION	PRICE/ UNIT
1	2		1000411	SCREW,SOC BUTTON HEAD 1/4-20 X 0.500	\$3.00
2	1	A	1007927	BRACKET, HALF LAPTRAY	\$40.00
3	2		1007928	PIVOT ROD, HALF LAPTRAY	\$16.00
4	1		1007933	HALF LAPTRAY WITH FOAM AND COVER RT	\$90.00
	1		1007934	HALF LAPTRAY WITH FOAM AND COVER LT	\$90.00
5	1		REF	FULL LENGTH VINYL ARMTOP	
	1		1029708	KIT HALF LAPTRAY WITH MOUNTING BRACKET RT (VINYL)	\$150.00
	1		1029709	KIT HALF LAPTRAY WITH MOUNTING BRACKET LT (VINYL)	\$150.00

NOTES: A- SLIDE ON BRACKET WILL ONLY FIT VINYL ARMPAD

HALF LAPTRAY INSIDE GUARD

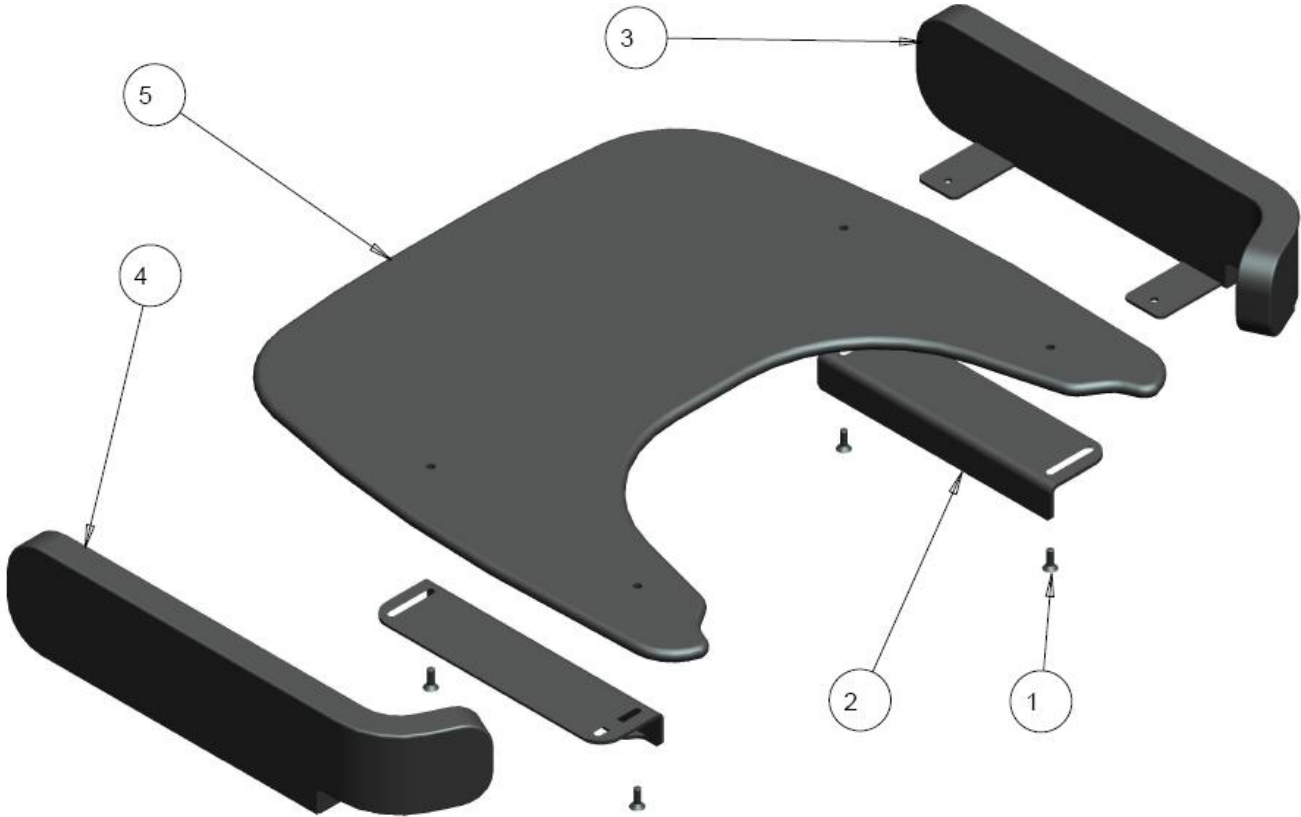


HALF LAPTRAY INSIDE GUARD – TABLE

ITEM	QTY	NOTES	PART NO.	DESCRIPTION	PRICE/ UNIT
1	3		1003762	SCREW, PHILLIPS PAN HEAD, #10-32NF X 3/4	\$2.50
2	1		REF	HALF LAPTRAY WITH FOAM AND COVER	
3	1		1028712	HALF LAPTRAY INSIDE GUARD RT	\$79.00
	1		1028715	HALF LAPTRAY INSIDE GUARD LT	\$79.00
	1		1029780	KIT HALF LAPTRAY INSIDE GUARD WITH SCREWS RT	\$85.00
	1		1029781	KIT HALF LAPTRAY INSIDE GUARD WITH SCREWS LT	\$85.00

NOTES:

FULL PADDED LAPTRAY

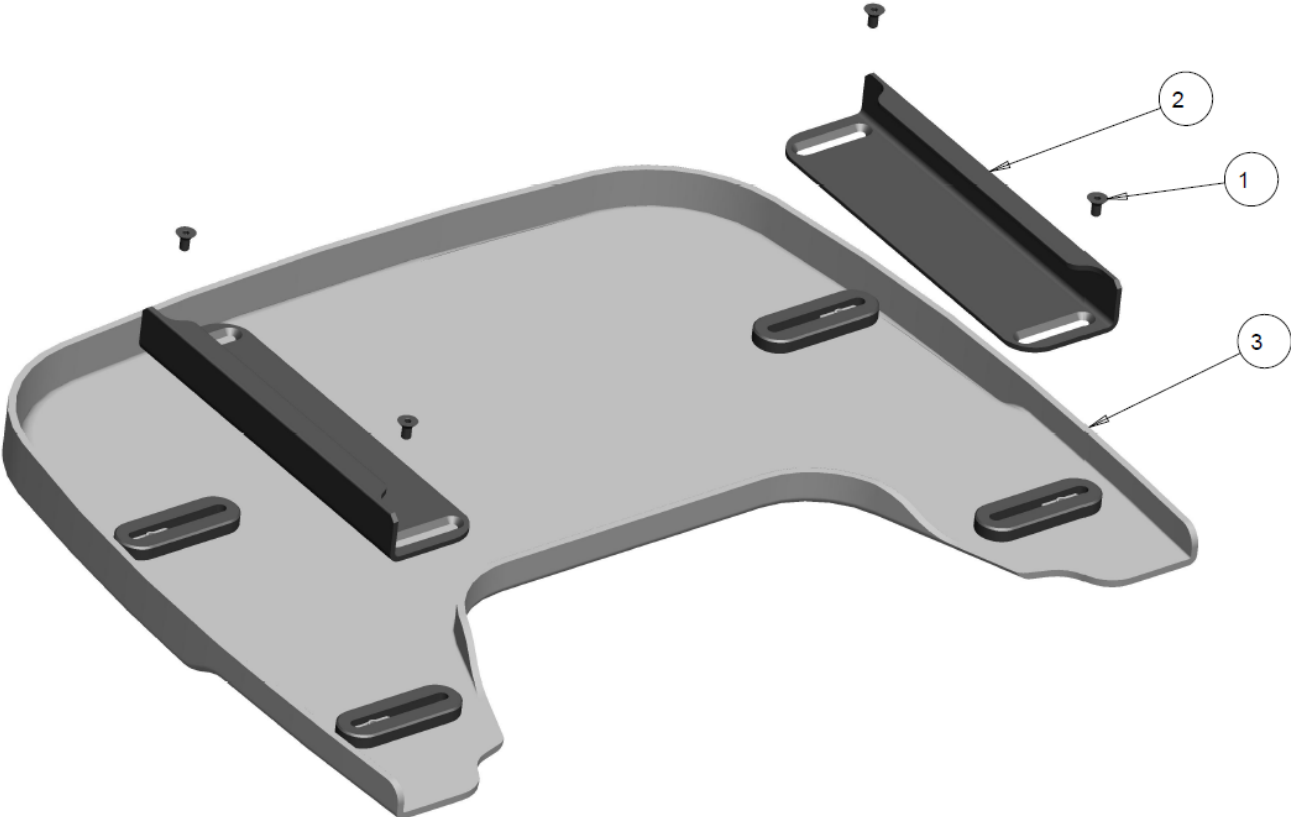


FULL PADDED LAPTRAY – TABLE

ITEM	NOTES	QTY	PART NO.	DESCRIPTION	PRICE/ UNIT
1		4	1001816	SCREW, FLAT HEAD SOCKET #1/4-20 X 0.75	\$3.00
2	A	2	1013344	ADULT LAPTRAY BRACKET, VINYL ARMPAD	\$39.50
	A	2	1004338	ADULT LAPTRAY BRACKET, CURVED ARMPAD	\$39.50
	B	2	1013782	KIDS LAPTRAY BRACKET, CURVED ARMPAD	\$39.50
	B	2	1013344	KIDS LAPTRAY BRACKET, VINYL ARMPAD	\$39.50
3		1	1005203	ELBOW STOP PADDED LAP TRAY RT ASSY	\$94.00
4		1	1005207	ELBOW STOP PADDED LAP TRAY LT ASSY	\$94.00
5		1	1021914	FULL PADDED LAPTRAY 11-12" WIDTH	\$215.00
		1	1021915	FULL PADDED LAPTRAY 13-14" WIDTH	\$215.00
		1	1002889	FULL PADDED LAPTRAY 15-16" WIDTH	\$215.00
		1	1003483	FULL PADDED LAPTRAY 17-18" WIDTH	\$215.00
		1	1002900	FULL PADDED LAPTRAY 19-20" WIDTH	\$215.00
		1	1003484	FULL PADDED LAPTRAY 21-22" WIDTH	\$265.00
		1	1002786	FULL PADDED LAPTRAY 23-24" WIDTH	\$265.00
		1	1011242	FULL PADDED LAPTRAY 25-26" WIDTH	\$265.00
		1	1011243	FULL PADDED LAPTRAY 27-28" WIDTH	\$265.00
		1	1011244	FULL PADDED LAPTRAY 29-30" WIDTH	\$265.00
		1	1011245	FULL PADDED LAPTRAY 31-32" WIDTH	\$265.00
6	C	1	1005202	ELBOW STOP, OUTER COVER ,RT	\$18.00
7	C	1	1005204	ELBOW STOP, OUTER COVER, LT	\$18.00

NOTES: A – BRACKET WILL BE USED FOR CHAIR WIDTHS BETWEEN 15-32"
B – BRACKET WILL BE USED FOR CHAIR WIDTHS BETWEEN 11-14"
C – NOT SHOWN, INCLUDED IN ELBOW STOP (ITEM 3/4)

CLEAR LAPTRAYS
FULL CLEAR LAPTRAY



FULL CLEAR LAPTRAY – TABLE

ITEM	NOTES	QTY	PART NO.	DESCRIPTION	PRICE/ UNIT
1		4	1001297	SCREW, FLAT HEAD SOCKET #1/4-20 X 0.5	\$3.00
2		2	1013344	ADULT LAPTRAY BRACKET, VINYL ARMPAD	\$39.50
		2	1004338	ADULT LAPTRAY BRACKET, CURVED ARMPAD	\$39.50
3		1	1001841	CLEAR LAPTRAY MEDIUM (15-18" WIDE)	\$275.00
		1	1001842	CLEAR LAPTRAY LARGE (19-22" WIDE)	\$275.00

NOTES: