



FUTURE
MOBILITY HEALTHCARE INC.

AQUA

Rehab Commode
TL

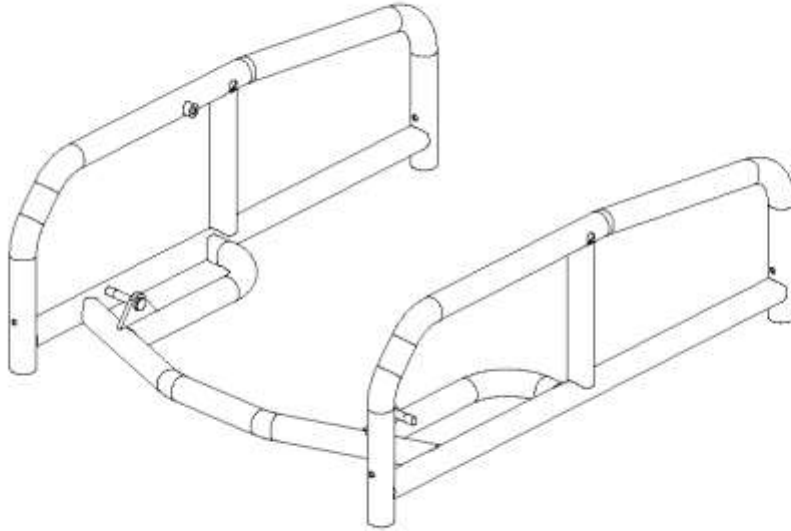
COM AQUA TL PB 2100 REV02

PARTS MANUAL

INDEX

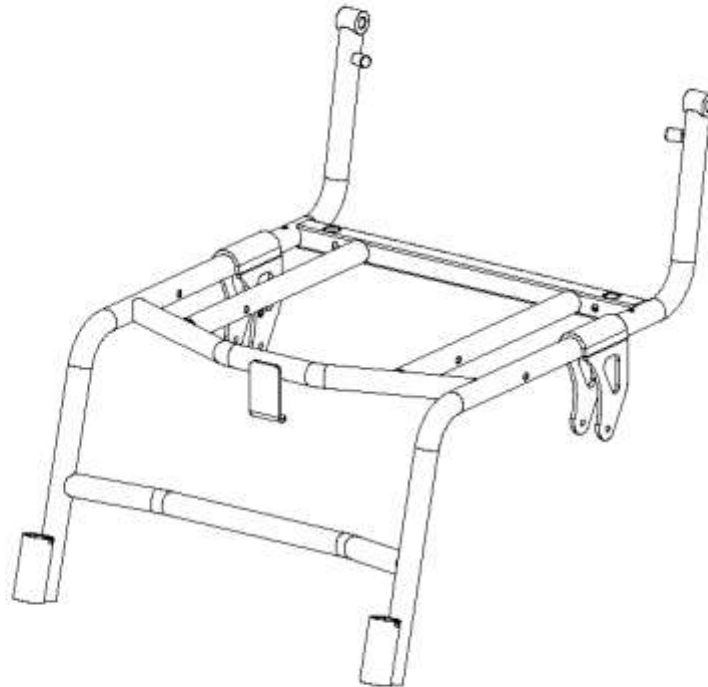
| | |
|---|----|
| LOWER FRAME WELDMENT | 3 |
| SEAT WELDMENT | 3 |
| GAS CYLINDER ASSEMBLY | 4 |
| ARMREST FLIPUP ASSEMBLY | 5 |
| ARMREST TOP ASSEMBLY LT | 6 |
| ARMREST TOP ASSEMBLY RT | 6 |
| SWINGAWAY U-TUBE ASSEMBLY | 7 |
| CASTER STEM ASSEMBLY | 8 |
| BACK REST ASSEMBLY | 8 |
| ADJUSTABLE HEADREST ASSEMBLY | 9 |
| SEAT PAD ASSEMBLY – TILT COMMODE | 10 |
| POTTY | 10 |
| LASERCUT MAIN WIRE POTTY WELDMENT | 11 |
| TILT COMMODE ASSEMBLY | 12 |

LOWER FRAME WELDMENT



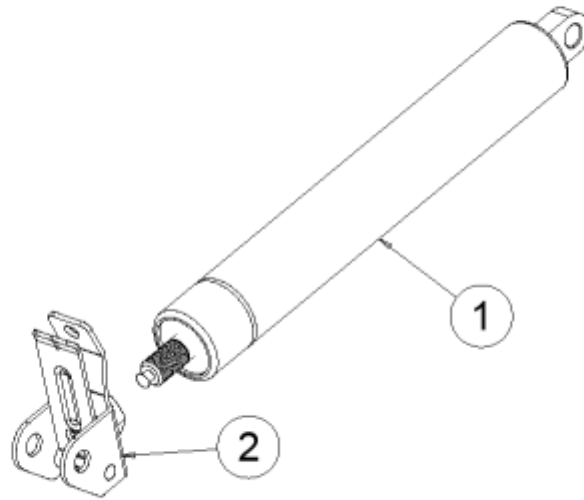
| ITEM | QTY | NOTES | PART NO. | DESCRIPTION | PRICE/ PER UNIT |
|------|-----|--------------|----------|----------------------|-----------------|
| | 1 | | 1011827 | LOWER FRAME WELDMENT | \$700.00 |
| | | B21125-21127 | | | |

SEAT WELDMENT



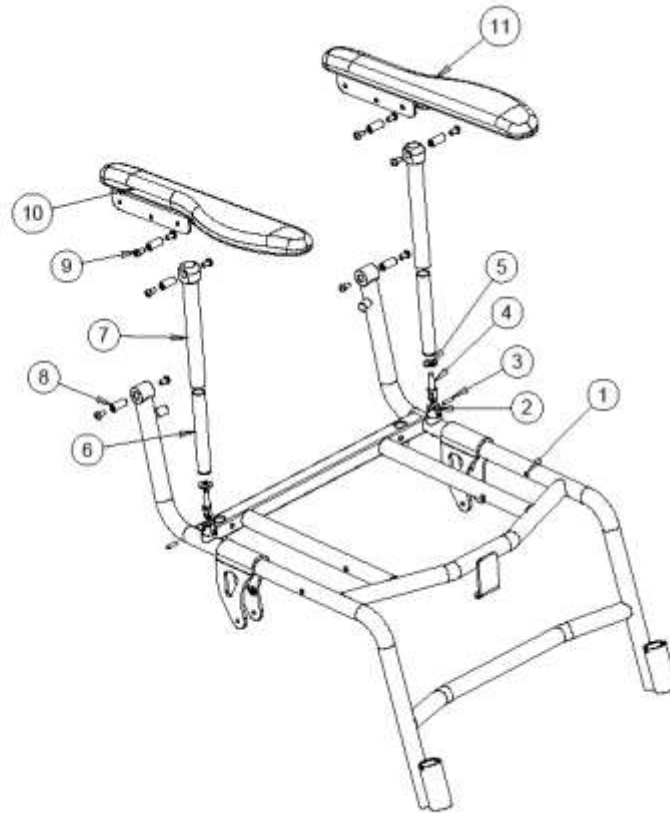
| ITEM | QTY | NOTES | PART NO. | DESCRIPTION | PRICE/ PER UNIT |
|------|-----|--------------|----------|---------------|-----------------|
| | 1 | | 1011835 | SEAT WELDMENT | \$1,065.00 |
| | | B21140-21142 | | | |

GAS CYLINDER ASSEMBLY



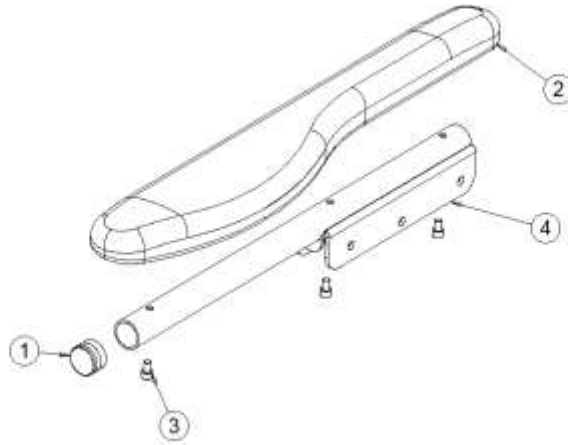
| ITEM | QTY | NOTES | PART NO. | DESCRIPTION | PRICE/ PER UNIT |
|------|-----|--------------|----------|--|-----------------|
| 1 | 1 | | 1013860 | BLOC-O-LIFT 200N 80MM STROKE GAS CYLINDER | \$185.00 |
| 2 | 1 | | 1001806 | STABILIS ACTUATOR HEAVY | \$3.00 |
| 1-2 | 1 | | 1011843 | BLOC-O-LIFT 200N 80MM STROKE GAS CYLINDER ASSEMBLY | \$100.00 |
| | | B21160-21164 | | | |

ARMREST FLIPUP ASSEMBLY



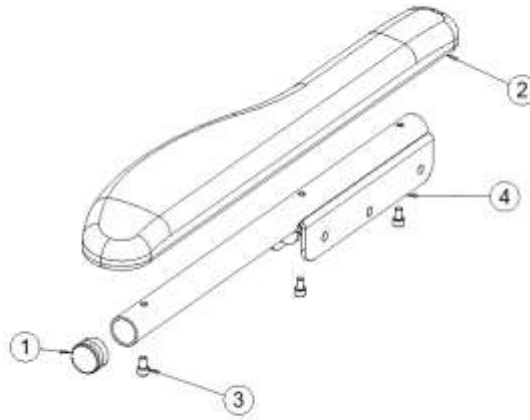
| ITEM | QTY | NOTES | PART NO. | DESCRIPTION | PRICE/ PER UNIT |
|------|-----|--------------|----------|---------------------------------------|-----------------|
| 1 | 1 | | REF | SEAT WELDMENT | REF |
| 2 | 2 | | 1011856 | ARMREST LOWER MOUNT PIVOT | \$12.00 |
| 3 | 2 | | 1011909 | SS PIN 3/16 DIA X .75 | \$5.00 |
| 4 | 2 | | 1011855 | ARMREST THREADED INSERT STUD | \$24.00 |
| 5 | 2 | | 1011862 | SS WASHER .75 OD X .312 ID X 14 GAUGE | \$2.50 |
| 6 | 2 | | 1011852 | ARMREST INNER TUBE WITH INSERT | \$30.00 |
| 7 | 2 | | 1011863 | ARMREST OUTER TUBE WITH INSERT | \$65.00 |
| 8 | 6 | | 1011858 | ARMREST INSERT BRASS BUSHING TOP | \$10.00 |
| 9 | 12 | | 1000411 | SCREW,SOC BUTTON HEAD 1/4-20 X 1/2" | \$3.00 |
| 10 | 1 | | 1011865 | ARMREST TOP ASSEMBLY RT | \$150.00 |
| 11 | 1 | | 1011864 | ARMREST TOP ASSEMBLY LT | \$150.00 |
| | | B21195-21207 | | | |

ARMREST TOP ASSEMBLY LT



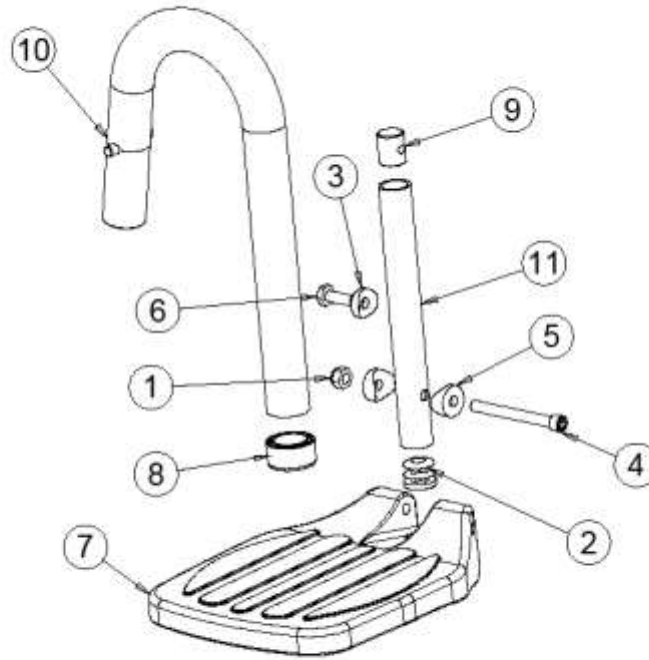
| ITEM | QTY | NOTES | PART NO. | DESCRIPTION | PRICE/ PER UNIT |
|------------|----------|--------------|----------------|--|-----------------|
| 1 | 1 | | 1000421 | PLUG, UNIVERSAL BLACK 0.875 ROUND | \$2.50 |
| 2 | 1 | | 1002539 | ARMPAD WITH INSERT LT | \$75.00 |
| 3 | 3 | | 1011298 | SCREW, SOCKET HEAD CAP, 10-32NF X 5/16 | \$3.00 |
| 4 | 1 | | 1011859 | ARMTOP TUBE WELDMENT | \$78.00 |
| 1-4 | 1 | | 1011864 | ARMREST TOP ASSEMBLY LT | \$150.00 |
| | | B21230-21236 | | | |

ARMREST TOP ASSEMBLY RT



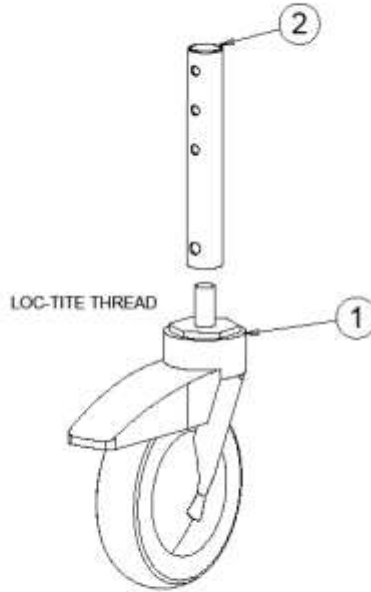
| ITEM | QTY | NOTES | PART NO. | DESCRIPTION | PRICE/ PER UNIT |
|------------|----------|--------------|----------------|--|-----------------|
| 1 | 1 | | 1000421 | PLUG, UNIVERSAL BLACK 0.875 ROUND | \$2.50 |
| 2 | 1 | | 1002538 | ARMPAD WITH INSERT RT | \$75.00 |
| 3 | 3 | | 1011298 | SCREW, SOCKET HEAD CAP, 10-32NF X 5/16 | \$3.00 |
| 4 | 1 | | 1011859 | ARMTOP TUBE WELDMENT | \$78.00 |
| 1-4 | 1 | | 1011865 | ARMREST TOP ASSEMBLY RT | \$150.00 |
| | | B21265-21271 | | | |

SWINGAWAY U-TUBE ASSEMBLY



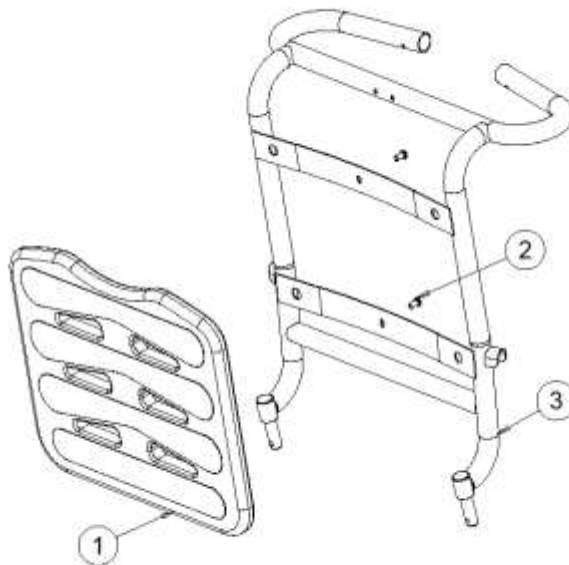
| ITEM | QTY | NOTES | PART NO. | DESCRIPTION | PRICE/ PER UNIT |
|------|-----|--------------|----------|---|-----------------|
| 1 | 1 | | 1000014 | NUT, HEX, NYLOCK 1/4-20 NC | \$2.00 |
| 2 | 1 | | 1000018 | ROUND PLUG TUBE | \$2.50 |
| 3 | 1 | | 1000113 | SPACER, COVED 1/4 X 1.0 DIA | \$3.50 |
| 4 | 1 | | 1000492 | SCREW, SOCKET HEAD CAP, 1/4-20X2.1/2 | \$3.00 |
| 5 | 2 | | 1000904 | DIA. 0.75 COVED SPACER , 0.25" BOLT | \$3.50 |
| 6 | 1 | | 1000905 | BOLT HEX 1/4-20 X 0.75 | \$3.00 |
| 7 | 1 | | 1001444 | FOOTPLATE, FLIP-UP, COMPOSITE MEDIUM | \$50.00 |
| 8 | 1 | | 1001869 | GLIDE BUSHING, 1.00 TO 0.75 (.083) WALL | \$5.00 |
| 9 | 1 | | 1009132 | LOCKING SLUG | \$10.00 |
| 10 | 1 | | 1011866 | SWINGAWAY WELDMENT U-TUBE | \$120.00 |
| 11 | 1 | | 1011870 | FOOTREST ADJ. STEM | \$27.00 |
| 1-11 | 1 | | 1011869 | SWINGAWAY U-TUBE ASSEMBLY LT - SHOWN | \$200.00 |
| 1-11 | 1 | | 1013307 | SWINGAWAY U-TUBE ASSEMBLY RT - OPPOSITE | \$200.00 |
| | | B21300-21314 | | | |

CASTER STEM ASSEMBLY



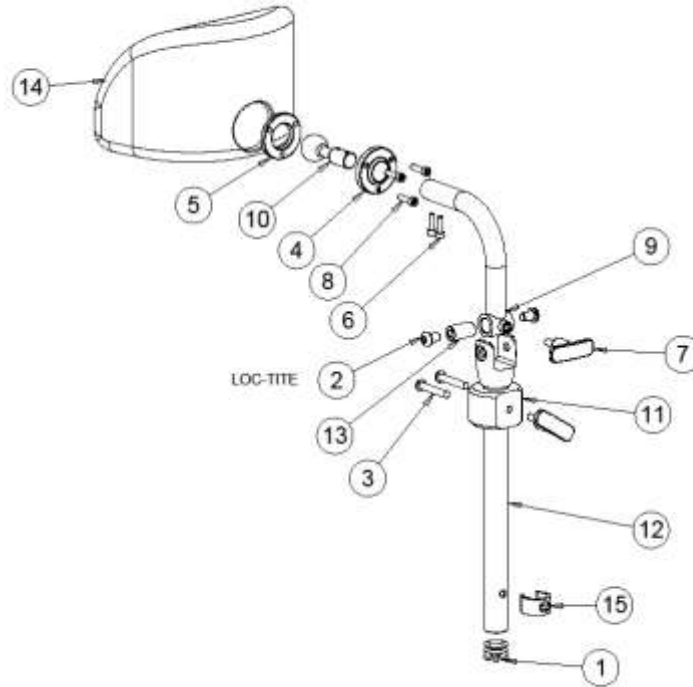
| ITEM | QTY | NOTES | PART NO. | DESCRIPTION | PRICE/ PER UNIT |
|------|-----|--------------|----------|----------------------|-----------------|
| 1 | 1 | | 1009167 | TOTAL LOCK SS CASTER | \$124.00 |
| 2 | 1 | | 1011876 | CASTER STEM WELDMENT | \$75.00 |
| 1-2 | 1 | | 1011875 | CASTER STEM ASSEMBLY | \$195.00 |
| | | B21335-21339 | | | |

BACK REST ASSEMBLY



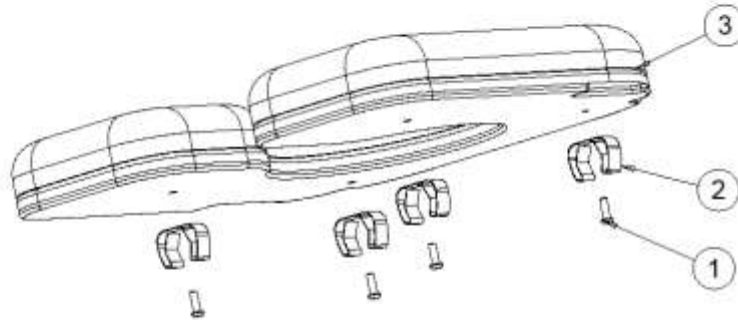
| ITEM | QTY | NOTES | PART NO. | DESCRIPTION | PRICE/ PER UNIT |
|------|-----|--------------|----------|-------------------------------------|-----------------|
| 1 | 1 | | 1011893 | BACK SUPPORT MOLD – FOAM SKINNED | \$200.00 |
| 2 | 1 | | 1000411 | SCREW,SOC BUTTON HEAD 1/4-20 X 1/2" | \$3.00 |
| 3 | 1 | | 1011880 | BACK FRAME WELDMENT | \$450.00 |
| | | B21370-21374 | | | |

ADJUSTABLE HEADREST ASSEMBLY



| ITEM | QTY | NOTES | PART NO. | DESCRIPTION | PRICE/ PER UNIT |
|-------------|----------|--------------|----------------|---|-----------------|
| 1 | 1 | | 1000421 | PLUG, UNIVERSAL BLACK 0.875 ROUND | \$2.50 |
| 2 | 2 | | 1000413 | SCREW, SOCKET HEAD BUTTON 5/16-18 X 0.5 | \$3.75 |
| 3 | 2 | | 1000493 | SCREW, SOCKET HEAD BUTTON 1/4-20 X 1.50 | \$3.00 |
| 4 | 1 | | 1001198 | FACE PLATE, BALL SOCKET CLAMP | \$20.10 |
| 5 | 1 | | 1001200 | SPACER PLATE, BALL SOCKET CLAMP | \$26.32 |
| 6 | 2 | | 1001203 | SCREW, SOCKET HEAD CAP, 10-32NF X 5/8 | \$3.25 |
| 7 | 2 | | 1005259 | T-HANDLE ROUNDED | \$17.00 |
| 8 | 3 | | 1006241 | SCREW, SOCKET HEAD CAP,10-32NFX 3/4 | \$3.00 |
| 9 | 1 | | 1011895 | HEADREST CURVED STEM WELDMENT | \$13.30 |
| 10 | 1 | | 1011897 | SS BALL-JOINT, 1" DIA | \$5.30 |
| 11 | 1 | | 1011898 | MAIN LOCK COLLAR HOUSING | \$60.00 |
| 12 | 1 | | 1011900 | HEADREST STRAIGHT STEM WELDMENT | \$15.00 |
| 13 | 1 | | 1011903 | PIVOT BUSHING, UPPER CLAMP | \$4.00 |
| 14 | 1 | | 1011906 | FOAM SKINNED HEADREST HJ-03 | \$150.00 |
| 15 | 1 | | 1011908 | SNAP CLIP .875 DIA | \$8.50 |
| 1-15 | 1 | | 1011894 | ADJUSTABLE HEADREST ASSEMBLY | \$450.00 |
| | | B21405-21422 | | | |

SEAT PAD ASSEMBLY – TILT COMMODE



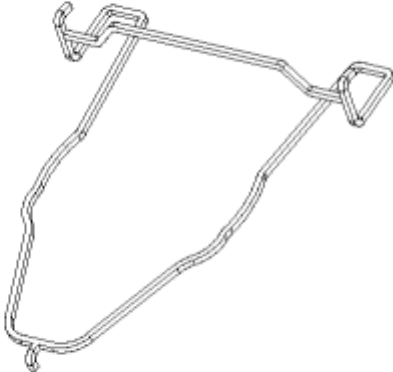
| ITEM | QTY | NOTES | PART NO. | DESCRIPTION | PRICE/ PER UNIT |
|------|-----|--------------|----------|---|-----------------|
| 1 | 4 | | 1001391 | SCREW, SOCKET HEAD BUTTON, 1/4-20NC X 3/4 | \$3.00 |
| 2 | 4 | | 1009174 | SEAT LOCK | \$8.00 |
| 3 | 1 | | 1013309 | SEAT PAD GLUED (WOOD, ABS & FOAM + COVER) | \$320.00 |
| 1-3 | 1 | | 1011917 | SEAT PAD ASSEMBLY – TILT COMMODE | \$325.00 |
| | | B21440-21445 | | | |

POTTY



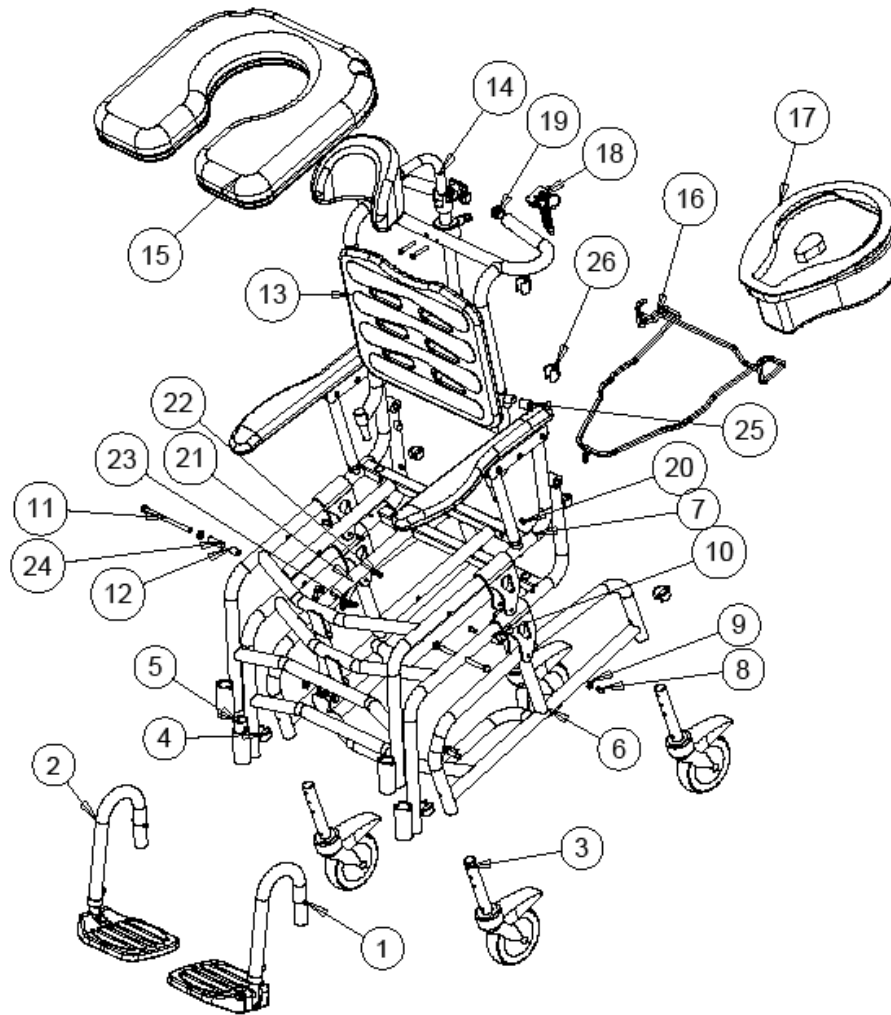
| ITEM | QTY | NOTES | PART NO. | DESCRIPTION | PRICE/ PER UNIT |
|------|-----|--------------|----------|---------------|-----------------|
| 1 | 1 | | 1009179 | COMMODE POTTY | \$175.00 |
| | | B21460-21462 | | | |

LASERCUT MAIN WIRE POTTY WELDMENT



| ITEM | QTY | NOTES | PART NO. | DESCRIPTION | PRICE/ PER UNIT |
|------|-----|--------------|----------|-----------------------------------|-----------------|
| 1 | 1 | | 1011926 | LASERCUT MAIN WIRE POTTY WELDMENT | \$42.00 |
| | | B21470-21472 | | | |

TILT COMMODE ASSEMBLY



| ITEM | QTY | NOTES | PART NO. | DESCRIPTION | PRICE/ PER UNIT |
|------|-----|--------------|----------|---|-----------------|
| 1 | 1 | | REF | SWINGAWAY U-TUBE ASSEMBLY LT | REF |
| 2 | 1 | | REF | SWINGAWAY U-TUBE ASSEMBLY RT | REF |
| 3 | 4 | | REF | CASTER STEM ASSEMBLY | REF |
| 4 | 6 | | 1009125 | SNAP CLIP | \$8.50 |
| 5 | 2 | | 1002720 | NYLINER BUSHING 1.00 ID 1.125 LG | \$10.00 |
| 6 | 1 | | REF | LOWER WELDMENT | REF |
| 7 | 1 | | REF | SEAT WELDMENT | REF |
| 8 | 4 | | 1000411 | SCREW,SOC BUTTON HEAD 1/4-20 X 1/2" | \$3.00 |
| 9 | 3 | | 1011871 | WASHER .625 OD X 11/32 ID X .063 | \$1.50 |
| 10 | 1 | | 1011910 | MAIN PIVOT INSERT BRASS BUSHING | \$9.00 |
| 11 | 1 | | 1011872 | SS HEX BOLT 5/16 X 4.5 | \$3.00 |
| 12 | 1 | | 1011873 | SPACER -5/16 BOLT .70 LG | \$2.00 |
| 13 | 1 | | REF | BACK REST ASSEMBLY | REF |
| 14 | 1 | | REF | ADJUSTABLE HEADREST ASSEMBLY | REF |
| 15 | 1 | | REF | SEAT PAD ASSEMBLY – TILT COMMODE | REF |
| 16 | 1 | | REF | LASERCUT MAIN WIRE POTTY WELDMENT | REF |
| 17 | 1 | | REF | COMMODE POTTY | REF |
| 18 | 1 | | 1010692 | STROLLER TRIGGER HANDLE ASS'Y | \$43.00 |
| 19 | 2 | | 1000392 | 1 INCH TUBE PLUG | \$3.00 |
| 20 | 2 | | 1011911 | RUBBER GROMMET .187 ID .065 ALLIANCE PLASTICS # GR-3081 | \$2.00 |
| 21 | 1 | | 1011849 | TILT LIMITING BAR | \$18.00 |
| 22 | 2 | | 1000403 | SCREW, SOC HD CAP, 1/4-20 X 0.5 | \$3.00 |
| 23 | 1 | | 1000014 | NUT, HEX, NYLOCK 1/4-20 NC | \$2.00 |
| 24 | 1 | | 1011874 | SPACER -5/16 BOLT 1.45 LG | \$3.00 |
| 25 | 2 | | 1011912 | PVC HOSE ID 1/2 OD 3/4 | \$1.00 |
| 26 | 2 | | 1011913 | CABLE RETAINER .875-1.00 TUBE | \$6.00 |
| | | B21475-21502 | | | |